



TYPE:  MODEL:

PROJECT:

**DESCRIPTION**



- Stanchion Mount (**STM**) extends the **1057** Floodlight off a surface for a variety of lighting applications.
- Sign lights are suitable for wall and ground mount applications.



**1057**

**STM-S**

**1057 PRODUCT FEATURES**

Wattage	20 – 57 W
Voltage	120 – 277 VAC
Lumens	1613 – 5778 Delivered Lumens
Distribution	NEMA type [HxV]: 2x2 (VNS), 2x2 (NS), 4x4 (MF), 6x6 (WF)
CCT	2700K, 3000K, 3500K, 4000K, 5000K
CRI	80 CRI min.
Dimming	0-10V or Phase Cut (TRIAC/ELV-120VAC only) available
Driver	Multi-Volt 120-277VAC with tri-modal dimming capabilities
Dimensions	8 <sup>5</sup> / <sub>8</sub> " W x 10 <sup>15</sup> / <sub>32</sub> " D x 7" DIA

**STM-S PRODUCT FEATURES**

Material	Aluminum
Fixture Mounting	1/2" NPT Hub Opening
Base Mounting	J-Bolt Anchor Assembly
Dimensions	4 <sup>1</sup> / <sub>4</sub> " W x [ 8"   12"   18"   24" ] H



**STM-S**





**1057 ORDERING INFORMATION**

EXAMPLE: 1057-GM-MF-27-D-MV-PCT-FS-5

MODEL	FINISH	DIST	TEMP	LUMENS	VOLTAGE	DIMMING	ACC	ACC
1057					MV			5

MODEL	FINISH	DISTRIBUTION	COLOR TEMP	DELIVERED LUMENS	VOLTAGE	DIMMING	ACCESSORIES			
1057	<b>B</b> Black	<b>VNS</b> Very Narrow Spot	<b>27</b> 2700K	<b>A</b> 1685 Lumens	<b>MV</b> Multi Volt	<b>ND</b> Non Dimming	<b>BD</b> Barn Doors			
	<b>Z</b> Architectural Bronze			<b>50</b> 5000K						
	<b>DZ</b> Dark Bronze									
	<b>GT</b> Granite									
	<b>W</b> White		<b>30</b> 3000K	<b>A</b> 1685 Lumens						
	<b>BR</b> Architectural Brick		<b>35</b> 3500K	<b>B</b> 2396 Lumens						
	<b>LZ</b> Light Bronze	<b>NS</b> Narrow Spot	<b>27</b> 2700K	<b>C</b> 2720 Lumens	<b>PCT</b> Phase Cut ( <b>D, E, F</b> Delivered Lumen Packages only)	<b>HS</b> Half Light Shield	<b>DF</b> Diffuse Filter			
	<b>SB</b> Special Bronze			<b>40</b> 4000K						
	<b>GG</b> Glossy Gray		<b>50</b> 5000K	<b>A</b> 1603-1835 Lumens				<b>LSFH</b> Linear Spread Filter Horizontal		
	<b>R</b> Rust			<b>B</b> 2214-2589 Lumens						
	<b>HG</b> Hunter Green		<b>MF</b> Medium Flood	<b>30</b> 3000K					<b>C</b> 2748-2825 Lumens	<b>LSFV</b> Linear Spread Filter Vertical
	<b>WB</b> Weathered Bronze								<b>A</b> 1603-1835 Lumens	
	<b>WI</b> Weathered Iron	<b>WF</b> Wide Flood	<b>35</b> 3500K	<b>B</b> 2214-2589 Lumens	<b>5</b> 5 Foot Wire Lead					
	<b>GM</b> Graphite Metallic			<b>C</b> 2748-2825 Lumens						
	<b>G</b> Verde			<b>D</b> 3892-4218 Lumens						
	<b>P</b> Pewter			<b>E</b> 4241-4597 Lumens						
<b>M</b> Mocha		<b>40</b> 4000K	<b>F</b> 4796-5778 Lumens							
<b>OF</b> Olde Finish										

**ORDERING NOTES**

If fixture is to be used in conjunction with Extended Arm Mount (**EAM**):  
Must specify with extended wire length

**STM-S ORDERING INFORMATION**

EXAMPLE: STM-B-24-S

MODEL	FINISH	LENGTH	CONFIGURATION
STM			S

MODEL	FINISH	LENGTH	CONFIGURATION
STM	<b>B</b> Black	<b>R</b> Rust	<b>S</b> Single
	<b>Z</b> Architectural Bronze	<b>HG</b> Hunter Green	
	<b>DZ</b> Dark Bronze	<b>WB</b> Weathered Bronze	
	<b>GT</b> Granite	<b>WI</b> Weathered Iron	
	<b>W</b> White	<b>GM</b> Graphite Metallic	
	<b>BR</b> Architectural Brick	<b>G</b> Verde	
	<b>LZ</b> Light Bronze	<b>P</b> Pewter	
	<b>SB</b> Special Bronze	<b>M</b> Mocha	
	<b>GG</b> Glossy Gray	<b>OF</b> Olde Finish	





## 1057 SPECIFICATIONS

### HOUSING:

Die-cast A360 aluminum. Optic and driver compartment environmentally sealed. Housing aiming achieved via a heavy aluminum yoke strap and locked in position with stainless steel lock washers and nuts. Locking fasteners are covered with decorative die-cast aluminum end caps.

### DOOR:

Die-cast A360 aluminum. Stainless steel fasteners. Door is designed to shed water from the lens surface.

### FINISH:

Powder coat finish available in Black, Architectural Bronze, Dark Bronze, Granite, White, Architectural Brick, Light Bronze, Special Bronze, Glossy Gray, Rust, Hunter Green, Weathered Bronze, Weathered Iron, Graphite Metallic, Verde, Pewter, Mocha and Olde Finish. Custom Powder coat finishes available on request.

### LENS:

3/16" thick tempered and beveled clear glass.

### REFLECTOR:

Specular, semi-specular, or White Optic coated spun reflectors, anodized for maximum performance. Very Narrow Spot optic incorporates an additional internal source shield to eliminate unwanted glare outside the beam pattern.

### ACCESSORIES:

Barn Doors, Full Shield, Half Shield, Diffuse Filter and Linear Spread Filter available.

### WIRING:

- 18/3 SEOOO outdoor rated waterproof cable  
[for Non-dimmable and Phase Cut (TRIAC/ELV-120VAC only) options]
- 18/5 SJTOW outdoor rated waterproof cable  
[for 0-10V dimming option]

Cable exits fixture housing through a liquid tight cable fitting.

### MOUNTING:

Yoke provided with 1/2 NPSM stainless Cord Seal Mount to secure the yoke strap directly into a 1/2-14 NPT threaded opening. See the Vista website for additional Mounts and Accessories.

### LED:

Performance COB LEDs powered from 450mA-1400mA.  
1613 – 5778 Lumens delivered.  
20 – 57 Watts.

### COLOR TEMPERATURE:

2700K, 3000K, 3500K, 4000K or 5000K CCT White.

### COLOR RENDERING:

80 CRI minimum

### OPTICS/AIMING:

NEMA defined floodlight optics.  
Housing aiming achieved via an aluminum yoke strap.

### DRIVER:

Multi-Volt **MV** 120V-277V equipped with tri-modal dimming capabilities.  
Start up/Operating Temperature: -10°C to +50°C.  
Non-dimmable, 0-10V and Phase Cut (TRIAC/ELV-120VAC only) options available.

### LIGHT DISTRIBUTION:

Very Narrow Spot **VNS** | NEMA 2x2  
Narrow Spot **NS** | NEMA 2x2  
Medium Flood **MF** | NEMA 5x5  
Wide Flood **WF** | NEMA 6x6

### CERTIFICATIONS | STANDARDS | COMPLIANCE:

- UL Certified for wet locations (USA & Canada) | (UL)
- Ingress Protection Rating: **IP66**
- Buy American Act (**BAA**)
- Build America, Buy America Act (**BABA**)

## STM-S SPECIFICATIONS

### DESCRIPTION:

Stanchion Mount is designed for in-grade, wall-mount, and a variety of lighting applications. It can be ordered in 8", 12", 18" and 24" standard lengths. Custom lengths are available.

### CONSTRUCTION:

Heavy wall extruded, die-cast and machined aluminum parts.

### FINISH:

Powder coat finish available in Black, Architectural Bronze, Dark Bronze, Granite, White, Architectural Brick, Light Bronze, Special Bronze, Glossy Gray, Rust, Hunter Green, Weathered Bronze, Weathered Iron, Graphite Metallic, Verde, Pewter, Mocha and Olde Finish. Custom Powder coat finishes available on request.

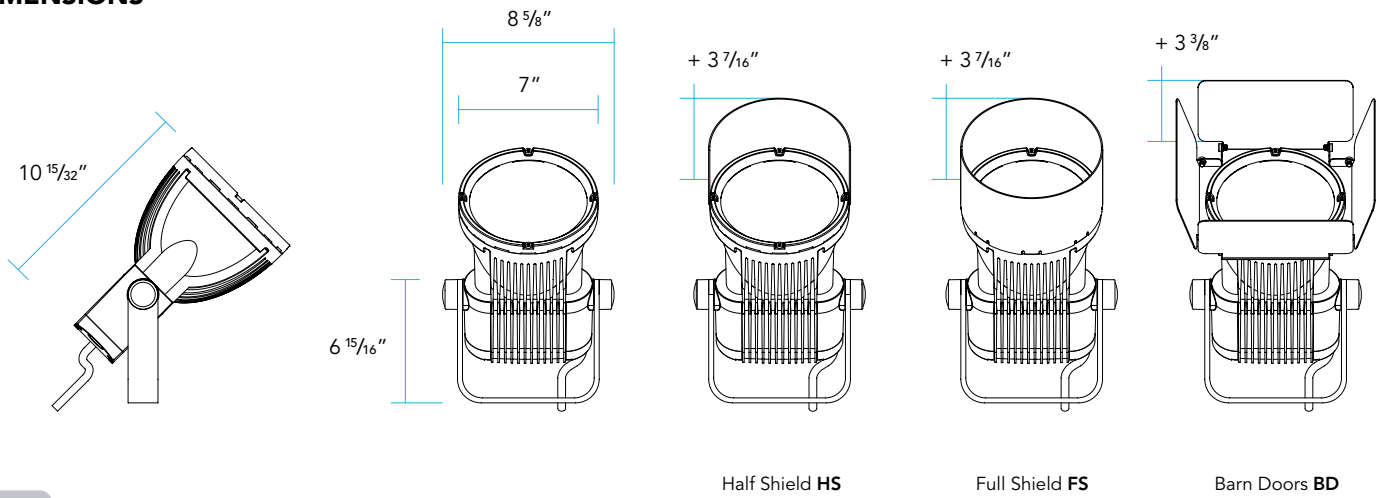
### MOUNTING:

Mounted over J-Bolt Anchor Assembly (recessed in concrete).

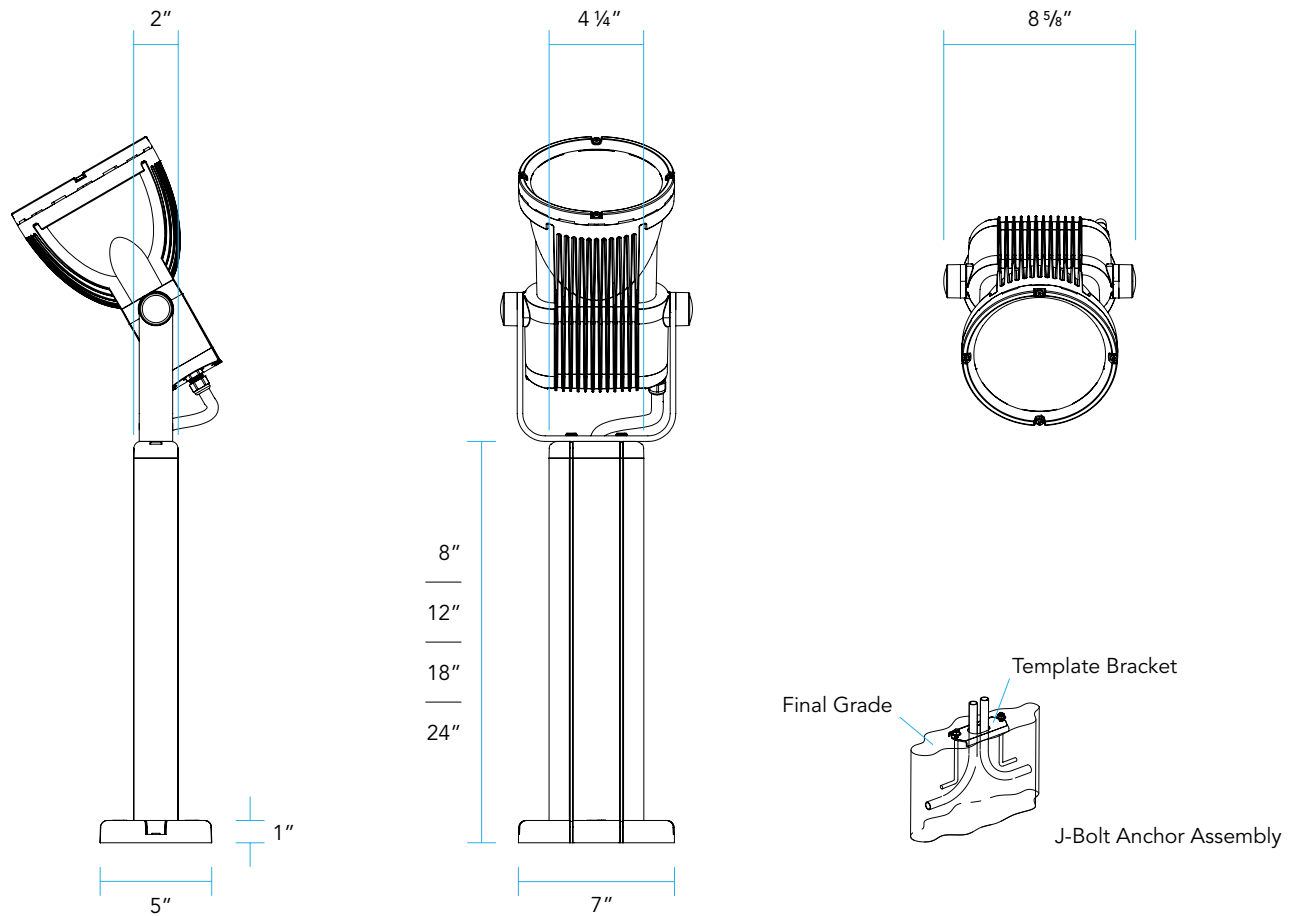




DIMENSIONS



1057



STM-S





**DELIVERED LUMENS**

LUMEN PACKAGE	VNS	NS	MF	WF
<b>A</b>	38 Watts 1685 Lumens	18 Watts 1835 Lumens	18 Watts 1603 Lumens	18 Watts 1613 Lumens
<b>B</b>	47 Watts 2396 Lumens	28 Watts 2589 Lumens	28 Watts 2214 Lumens	28 Watts 2263 Lumens
<b>C</b>	57 Watts 2720 Lumens	43 Watts 2825 Lumens	38 Watts 2748 Lumens	38 Watts 2775 Lumens
<b>D</b>		42 Watts 4218 Lumens	42 Watts 3892 Lumens	42 Watts 3928 Lumens
<b>E</b>		47 Watts 4597 Lumens	47 Watts 4241 Lumens	47 Watts 4260 Lumens
<b>F</b>		57 Watts 5778 Lumens	57 Watts 4796 Lumens	56 Watts 4819 Lumens

