



IMPORTANT NOTE: Luminaire must be installed and grounded in accordance with the National Electrical Code (NEC) and local codes. All conduit entries must be sealed from moisture. Use appropriate sealing material on conduit fittings and conduit closure plugs. Luminaire is wet location listed and suitable for in-grade mounting in concrete or other supportive surface materials (including soil).

WARNING: Debris must be kept clear from top and interior of in-grade fixtures. Excessive heat could occur that may create a fire hazard and/or harm the fixture components. Specific attention must be made to never install in-grade fixtures in mulch, wood chips, or other potentially ignitable materials. Failure to do so will void warranty and may result in serious injury and/or damage the fixture and/or property.

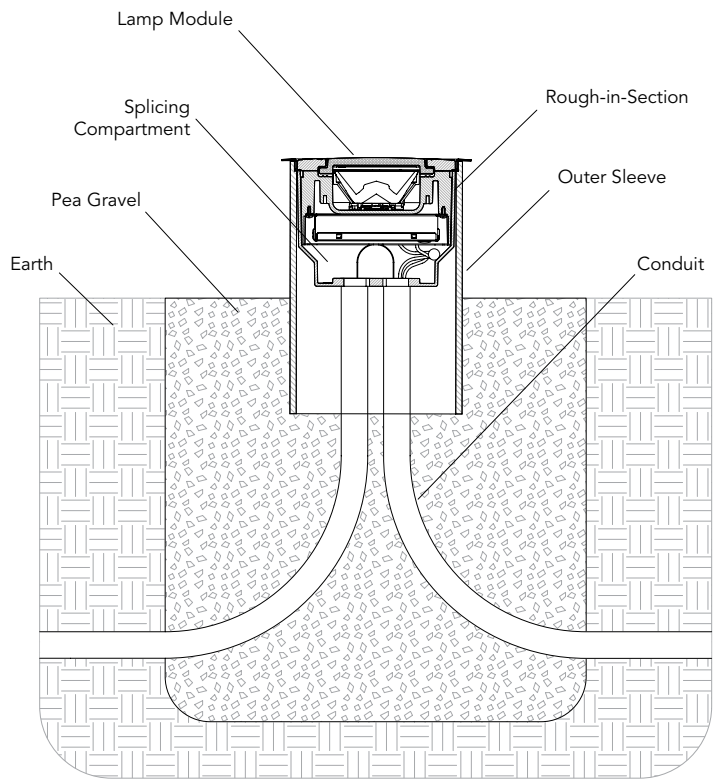
MAINTENANCE: To assure proper performance, the lens/openings must be kept clear of debris, dirt, leaves and trash. A regular schedule maintenance program is recommended.

NOTE: Save these instructions for future reference



SEMI-RECESSED INSTALLATION

1. Install conduit in the Rough-In Section bottom hub such that the conduit extends beyond the length of the Outer Sleeve.
 2. Place the Rough-In Section (RIS) into the Outer Sleeve and secure the RIS with screws. (RIS top should be ~5/16" below the top of the Outer Sleeve).
 3. Connect conduit sweeps to the conduit lengths installed into the RIS to align with horizontal conduit runs as required.
 4. Excavate a hole to the desired depth and approx. 6"-10" larger in diameter than the Outer Sleeve diameter.
 5. Place the Sleeve/RIS/conduit assembly into the hole and position as desired. Backfill around and below the Outer Sleeve to anchor the assembly into place.
- NOTE:** Provide a minimum of 6" of pea gravel at the bottom of the housing tube for drainage.
6. Connect the conduit from the assembly to supply conduit trenched and buried in compliance with NEC standards for outdoor buried conduit.
 7. The RIS doubles as the Splicing Compartment. Pull electrical supply conductors taking care not to distort or damage the RIS outer flange.
 8. Connect the supply conductors from the Lamp Module into the RIS Splicing Compartment.
 9. Use duct seal compound supplied to plug the conduit entries FULLY. Pour re-entenable potting compound into the Splicing Compartment cavity after supply connections have been made to further ensure a watertight seal. **DO NOT OVERFILL – USE ONLY ENOUGH TO COVER THE SPLICING.**
 10. Position the Lamp Module into the RIS which is secured within the Outer Sleeve. Secure the 1182SE-Lamp Module to the RIS using two screws (supplied with fixture). Take care to ensure the perimeter red sealing gasket is in place and not damaged.





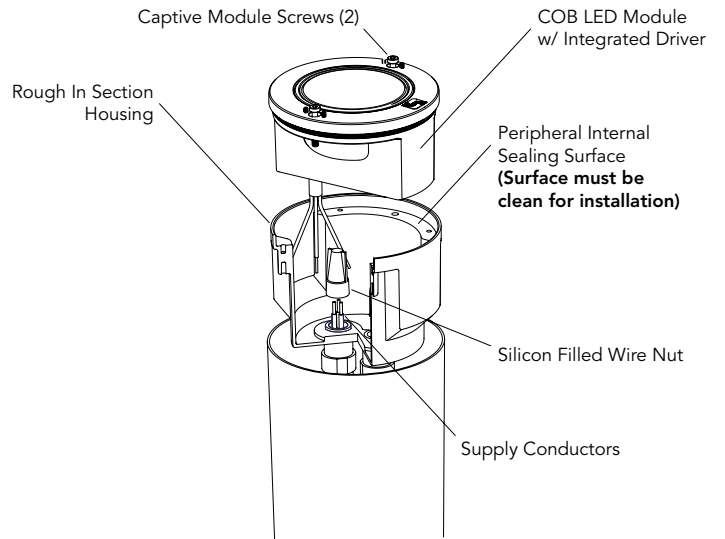
INSTRUCTIONS TO REMOVE LAMP MODULE

1. To prevent electrical shock, turn main power off at circuit breaker.
 2. Remove Vinyl Label and Temporary Cover Plate. Recycle or discard Cover Plate.
- NOTE:** If a Stainless Steel Trim Ring (STR) is to be used, follow the supplementary instructions supplies with STR accessory.
3. Using silicon filled wire nuts (provided), connect the Supply Conductors from the incoming service to the load conductors of the COB Module noting the following polarity:

Supply (+) to Load (Black)
 Supply (-) to Load (White)
 Supply (Ground) to load (Green)

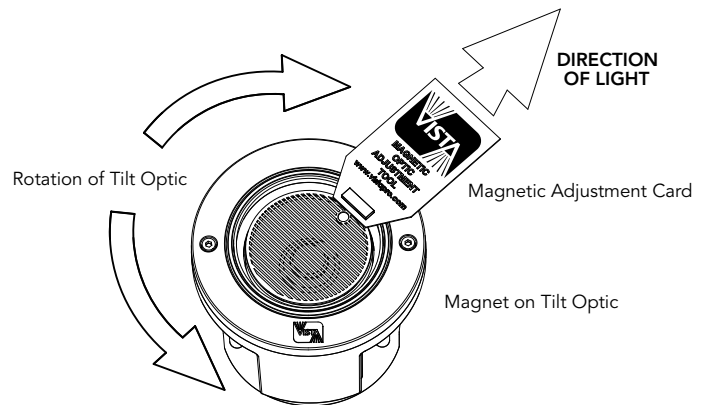
If 0-10V dimming is used:
 Dimming supply (+) to Dimming Load (Purple)
 Dimming supply (-) to Dimming Load (Grey)

4. Ensure that the peripheral sealing surface of the Rough-In Section housing is clean & free of debris. Wipe clean with a moist cloth or towel if necessary.
5. Fully insert the COB Lamp Module into the Rough-In Section, taking care not to pinch any supply conductors or dislodging the Lamp Module Peripheral Seal Gasket.
6. Tighten the two captive module screws fully. **DO NOT OVERTIGHTEN.**
7. Supply power to the luminaire and check for proper operation



MAGNETIC AIMING INSTRUCTIONS

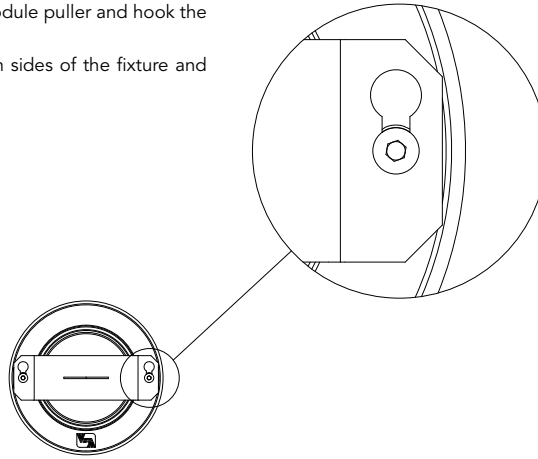
1. Install the fixture per installation instructions provided.
2. With the fixture on, place the tip of the adjusting magnetic card (supplied when a tilt optic option is ordered) against the glass lens over the circular indicating mark.
3. Rotate the adjustment card to the desired aiming position. The tilt optic will rotate within the fixture as long as the magnet on the adjustment card is against the glass lens.
4. Once aimed correctly, remove the adjusting magnetic card.



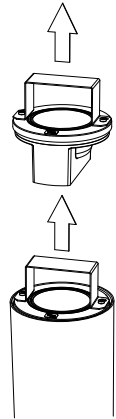


INSTRUCTIONS TO REMOVE LAMP MODULE

1. Completely loosen and lift up on the 2 screw heads of the lamp module.
2. Pass the 2 screw heads through the holes in the lamp module puller and hook the screw heads into the narrow slots of the puller.
3. To remove the lamp module, position your feet on both sides of the fixture and firmly lift straight up (Do not turn).



Steps 1 & 2



Step 3

1182 LAMP MODULE PULLER

Retain for future use to remove lamp module from fixture housing.

