



FOR USE ONLY WITH LOW VOLTAGE LANDSCAPE POWER UNITS THAT DO NOT EXCEED 25 AMPS, 15 VOLT MAXIMUM.

WARNING: Luminaires must be installed in accordance with the National Electrical Code (NEC) and local codes. Failure to do so will void the warranty and may result in serious injury and/or damage to the luminaire.

SAFETY WARNING: Luminaire can become very hot depending on lamp wattage used. Lens and metal around lamp can become hot enough to blister hands. Particular care should be taken not to locate luminaires where small children can reach them if high wattage lamps are used.

LUMINAIRES ARE NOT TO BE INSTALLED WITHIN 10 FT. (3.05M) OF A POOL OR SPA. SECONDARY CABLE IS NOT TO BE BURIED MORE THAN 6". WHEN USING MULTIPLE LUMINAIRES, LOAD IS NOT TO EXCEED THE TOTAL WATTS OF TRANSFORMER RATING. DO NOT USE EXTENSION CORDS ON POWER UNITS.

NOTE: Always use UL recognized wire connectors for connections.

NOTE: Save these instructions for future reference.

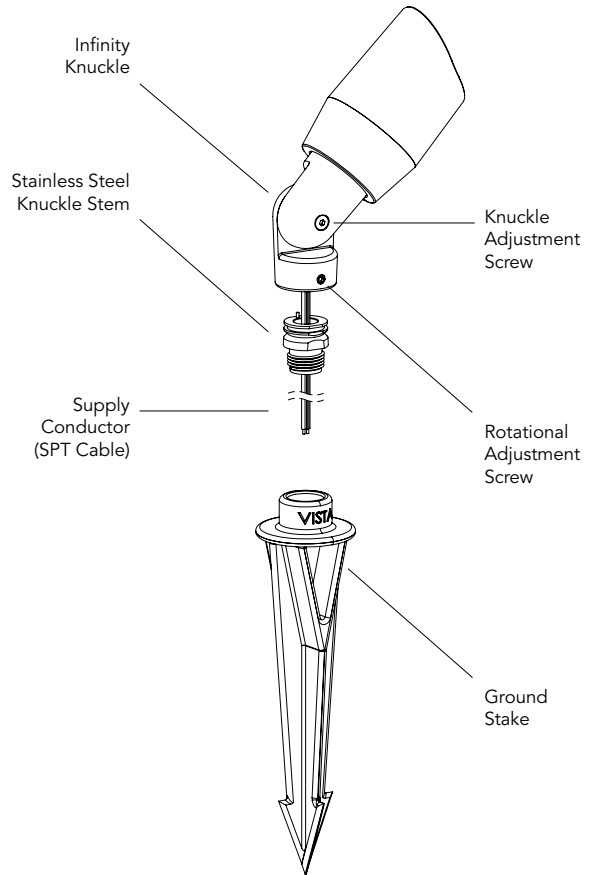


LUMINAIRE MOUNTING

1. Make sure electrical supply is off at circuit breaker before starting luminaire installation or servicing luminaire.
2. Run wire pigtail from luminaire through the mounting hole in top of ground stake.
3. Thread stainless steel knuckle stem into threaded hole in ground stake.
4. Place stake in desired position and insert into ground until flange of stake is flush to grade.
5. Strip the two (2) leads from the luminaire pigtail. Using the two (2) silicone filled safety connectors (provided), connect the leads from the luminaire to the main supply cable leads.

NOTE: Luminaires are supplied with 36" of 18-2 cable pigtail for secure connection to the main supply cable. The wire is to be protected by routing in close proximity to the luminaire. The wiring should be buried a maximum depth of 6 inches (15.2 cm) in order to connect to the main supply cable.

6. To adjust luminaire aiming angle, loosen adjustable knuckle screw. Do not disengage completely. Hold luminaire at selected angle and tighten knuckle screw firmly.
7. To adjust luminaire rotational direction, loosen rotational adjustment screw. Rotate fixture to desired position then tighten rotational adjustment screw.
8. Provide power to the luminaire and check for proper operation.



The operating voltage range for this LED luminaire is 9 - 15 volt AC. The Vista electronic driver ensures the LED operates at the intended lumen output while receiving voltage as low as 10.5 volts, and as high as 15 VAC, the U.L. allowed maximum, resulting in a balanced lumen output from the first fixture to the last. Eliminating the dimness issues often attributed to voltage drop.

NOTE: Operating voltage range for LED luminaires will vary depending on model, style and total number of LEDs. To help determine the operating voltage range for each Vista luminaire, always consult factory's specification sheet and/or installation instructions before installation.

Vista Professional Outdoor Lighting reserves the right to modify the design and/or construction of the fixture shown without further notification.

