



# 1054KM + EAM-S | Specification Sheet

Commercial Series • Sign Light

TYPE:  MODEL:

PROJECT:

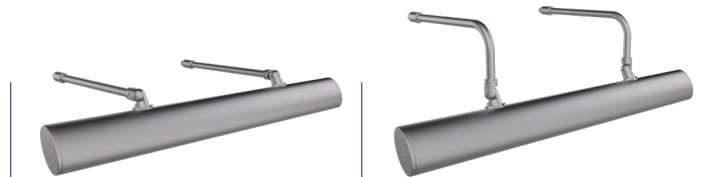
## DESCRIPTION



- Two Extended Arm Mounts (**EAM**) extend the **1054KM** Linear Floodlight off a surface for a variety of lighting applications.
- Sign lights are suitable for wall and ground mount applications.



1054KM



EAM-S-S

EAM-S-90



EAM-S-R45

EAM-S-R180

## 1054KM PRODUCT FEATURES

Wattage	52 or 72 W
Voltage	120 – 277 VAC (208 VAC excluded)
Lumens	4791-8391 Delivered Lumens
Distribution	NEMA type [HxV]: 7x7(WW), 7x4(WG), 7x4(NS), 7x5(MF), 7x7(WF), 7x5(AS)
CCT	2700K, 3000K, 3500K, 4000K, 5000K
CRI	80 CRI min.
Dimming	0-10V or Phase Cut (TRIAC/ELV-120 VAC only) available
Driver	Multi-Volt with tri-modal dimming capabilities
Dimensions	48" W x 8 3/32" H x 3" D

## EAM-S PRODUCT FEATURES

Material	Aluminum
Mounting	1/2" NPT
<b>EAM-S-S</b>	1" DIA x [ 18"   24"   36" ] L
<b>EAM-S-90</b>	6 1/2" H x [ 18"   24"   36" ] L
<b>EAM-S-R45</b>	6 1/2" H x [ 18"   24"   36" ] L
<b>EAM-S-R180</b>	6 1/2" H x [ 18"   24"   36" ] L
<b>90S</b>	90° Slip-fitter 1 3/8" Dia x 3" L



90S



PROFESSIONAL  
OUTDOOR LIGHTING

www.VistaPro.com • email@vistapro.com • Fax: (888) 670-VISTA (8478)  
1625 Surveyor Avenue • Simi Valley, CA 93063 • (805) 527-0987 • (800) 766-VISTA (8478)  
Vista Professional Outdoor Lighting reserves the right to modify the design and/or construction of the fixture shown without further notification.



**1054KM ORDERING INFORMATION**

EXAMPLE: 1054KM-B-MF-27-A-MV-PCT-GS

MODEL	FINISH	DIST	TEMP	LUMENS	VOLTAGE	DIMMING	ACC	ACC
1054KM					MV			5

MODEL	FINISH	DISTRIBUTION	COLOR TEMPERATURE
1054KM	<b>B</b> Black	<b>LZ</b> Light Bronze	<b>WI</b> Weathered Iron
	<b>Z</b> Architectural Bronze	<b>SB</b> Special Bronze	<b>GM</b> Graphite Metallic
	<b>DZ</b> Dark Bronze	<b>GG</b> Glossy Gray	<b>G</b> Verde
	<b>GT</b> Granite	<b>R</b> Rust	<b>P</b> Pewter
	<b>W</b> White	<b>HG</b> Hunter Green	<b>M</b> Mocha
	<b>BR</b> Architectural Brick	<b>WB</b> Weathered Bronze	<b>OF</b> Olde Finish
			<b>WW</b> Wall Wash
		<b>WG</b> Wall Grazer	<b>30</b> 3000K
		<b>NS</b> Narrow	<b>35</b> 3500K
		<b>MF</b> Medium Flood	<b>40</b> 4000K
		<b>WF</b> Wide Flood	<b>50</b> 5000K
		<b>AS</b> Asymmetric	

DELIVERED LUMENS	VOLTAGE	DIMMING	ACCESSORIES	ORDERING NOTES
<b>A</b> 4000 (min.) <b>B</b> 6400 (min.)	<b>MV</b> Multi-Volt [120 – 277 VAC] (208 VAC excluded)	<b>ND</b> Non Dimming <b>010</b> 0-10V <b>PCT</b> Phase Cut (TRIAC/ELV-120VAC only)	<b>GS</b> Internal Glare Shield <b>VR</b> Polycarbonate Lens <b>5</b> 5 Foot Wire Lead (required for use with EAM)	If fixture is to be used in conjunction with Extended Arm Mount ( <b>EAM</b> ): Must specify with extended wire length

**EAM-S ORDERING INFORMATION**

EXAMPLE: EAM-S-B-S-24-90S

MODEL	CONFIGURATION	FINISH	SWEEP	LENGTH	ACCESSORIES
EAM	S				

MODEL	CONFIGURATION	FINISH
EAM	S Single	<b>B</b> Black
		<b>Z</b> Architectural Bronze
		<b>DZ</b> Dark Bronze
		<b>GT</b> Granite
		<b>W</b> White
		<b>BR</b> Architectural Brick
		<b>LZ</b> Light Bronze
	<b>SB</b> Special Bronze	<b>WI</b> Weathered Iron
	<b>GG</b> Glossy Gray	<b>GM</b> Graphite Metallic
	<b>R</b> Rust	<b>G</b> Verde
	<b>HG</b> Hunter Green	<b>P</b> Pewter
	<b>WB</b> Weathered Bronze	<b>M</b> Mocha
		<b>OF</b> Olde Finish

SWEEP	LENGTH	ACCESSORIES	ORDERING NOTES
<b>S</b> Straight	<b>18</b> 18 Inches	<b>90S</b> 90° Slip-fitter	Custom length stems available – Consult Vista factory.  Two Extended Arm Mounts ( <b>EAM</b> ) are required for the 1054KM Sign Light
<b>90</b> Ninety	<b>24</b> 24 Inches		
<b>R45</b> Reverse Forty-Five	<b>36</b> 36 Inches		
<b>R180</b> Reverse One-Eighty			





## 1054KM SPECIFICATIONS

### HOUSING:

Extruded aluminum body with die-cast aluminum end caps and mountings. Optic and driver compartment environmentally sealed. Housing aimable utilizing Vista's patented Infinity Knuckle.

### FINISH:

Powder coat finish available in Black, Architectural Bronze, Dark Bronze, Granite, White, Architectural Brick, Light Bronze, Special Bronze, Glossy Gray, Rust, Hunter Green, Weathered Bronze, Weathered Iron, Graphite Metallic, Verde, Pewter, Mocha and Olde Finish. Custom Powder coat finishes available on request.

### REFLECTOR:

Specular or semi-specular extruded aluminum optics anodized and bright dipped for maximum reflectivity.

### LENS:

4mm (.164") thick tempered and beveled clear glass. Permanently affixed and sealed to the optics housing with RTV silicon. Masked frit opening (black only) available.

### ACCESSORIES:

Internal Glare Shield **GS**, Polycarbonate Lens **VR**.

### WIRING:

Prewired with 150° C-rated wire. Electrical wires are routed through the right-side facing Infinity Knuckle.

### MOUNTING:

Infinity Knuckle – Die-cast, copper-free aluminum, stainless steel stem with 1/2" NPT thread. A fully sealed spherical grommet allows for precise aiming and retention.

### CERTIFICATIONS | STANDARDS | COMPLIANCE:

- UL Certified for wet locations (USA & Canada) | (UL)
- Ingress Protection Rating: **IP66**
- Buy American Act (**BAA**)
- Build America, Buy America Act (**BABA**)

### LED:

Mid-power linear LED driven at 1000mA or 1400mA. 4000+ or 6400+ Lumens delivered (1000+ or 1600+ per lineal foot). 52 or 72 Watts (13W or 19W per lineal foot).

### COLOR TEMPERATURE:

2700K, 3000K, 3500K, 4000K or 5000K CCT White.

### COLOR RENDERING:

80 CRI minimum

### OPTICS/AIMING:

NEMA defined floodlight optics with wide lateral throws – extruded aluminum.

### DRIVER:

Multi-Volt **MV 120 – 277 VAC** (208 VAC excluded) Equipped with tri-modal dimming capabilities. Start up/Operating Temperature: -10°C to +50°C. Non-dimmable, 0-10V and Phase Cut (TRIAC/ELV-120VAC only) options available.

### LIGHT DISTRIBUTION:

Wall Wash (NEMA 7x 7v), Wall Grazer (NEMA 7x 4v), Narrow (NEMA 7x 4v), Medium Flood (NEMA 7x 5v), Wide Flood (NEMA 7x 7v), Asymmetric (NEMA 7x 5v) distributions available.

## EAM-S SPECIFICATIONS

### CONSTRUCTION:

Heavy wall extruded, die-cast and machined aluminum parts.

### FINISH:

Powder coat finish available in Black, Architectural Bronze, Dark Bronze, Granite, White, Architectural Brick, Light Bronze, Special Bronze, Glossy Gray, Rust, Hunter Green, Weathered Bronze, Weathered Iron, Graphite Metallic, Verde, Pewter, Mocha and Olde Finish. Custom Powder coat finishes available on request.

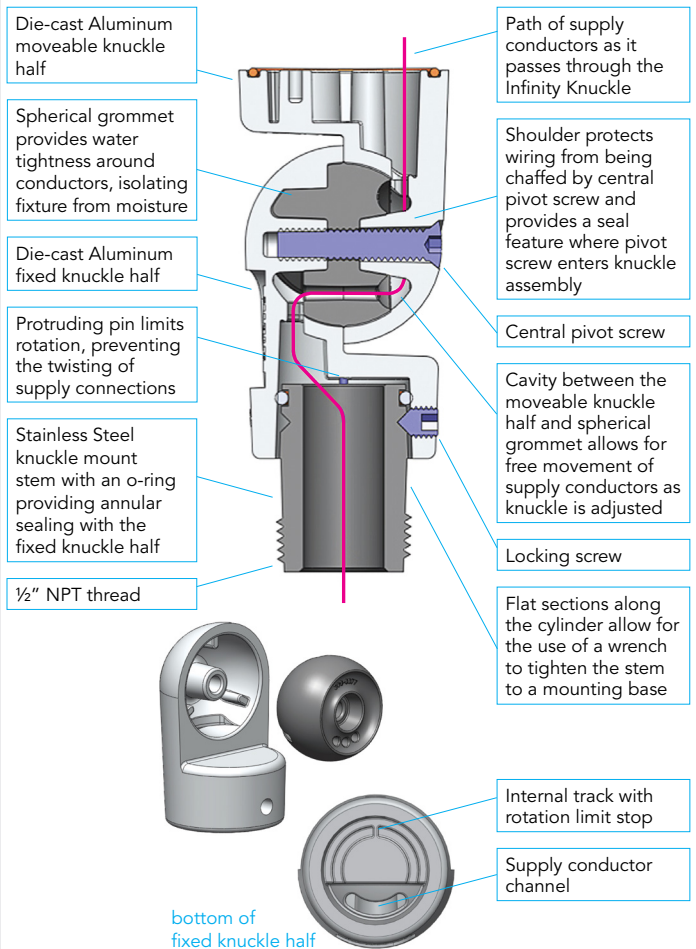
### MOUNTING:

1/2" NPT threading for connection to mounting accessory such as a Vista Wall Mount Box or Mounting Canopy.

### ACCESSORIES:

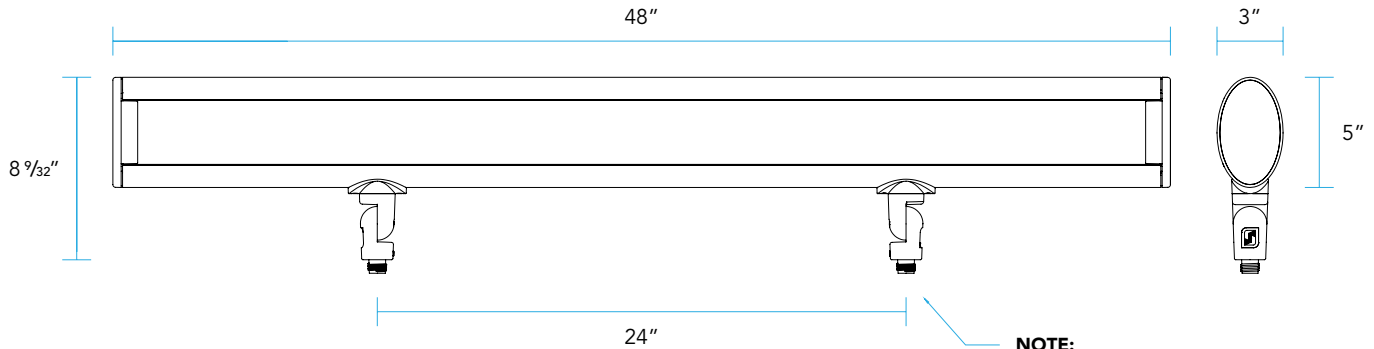
A convenient and compact 90° machined aluminum Slip-fitter can be ordered to change the lighting fixture orientation 90° at the end of the extension arm.

## INFINITY KNUCKLE FEATURES



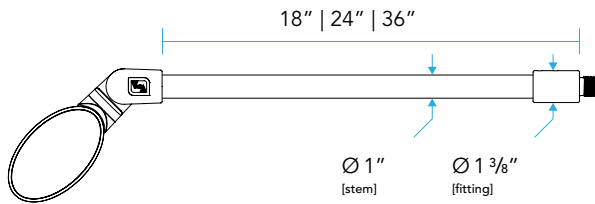


DIMENSIONS

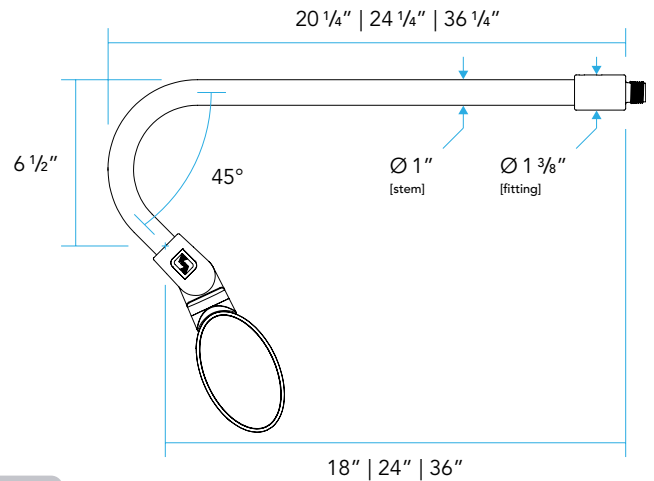


**NOTE:**  
Electrical wires are routed through the right-side facing Infinity Knuckle.

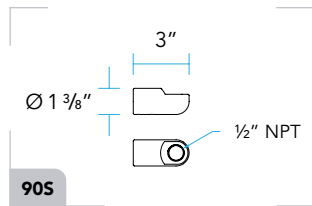
1054KM



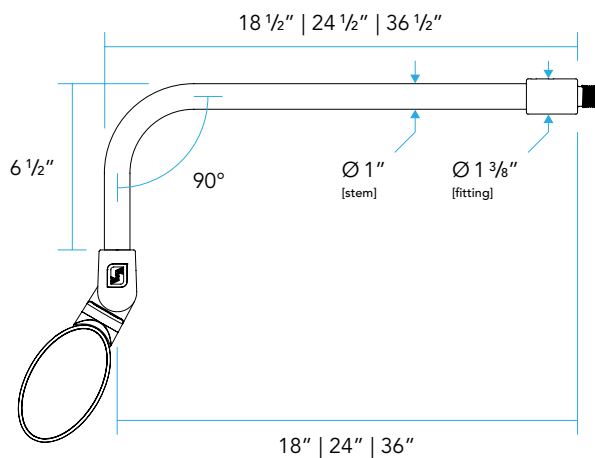
EAM-S-S



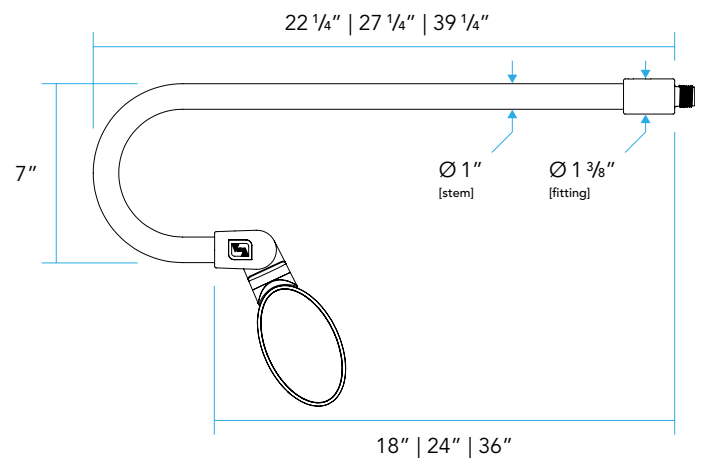
EAM-S-R45



90S



EAM-S-90



EAM-S-R180





**DELIVERED LUMENS**

BEAM SPREAD	A	B
Wall Wash WW	52 Watts 5335 Lumens	72 Watts 7232 Lumens
Wall Grazer WG	52 Watts 6122 Lumens	72 Watts 8391 Lumens
Narrow NS	52 Watts 4791 Lumens	72 Watts 6792 Lumens
Medium Flood MF	52 Watts 5989 Lumens	72 Watts 8155 Lumens
Wide Flood WF	52 Watts 5099 Lumens	72 Watts 7123 Lumens
Asymmetric AS	55.5 Watts 5990 Lumens	72 Watts 8191 Lumens

