



TYPE: MODEL:
PROJECT:

DESCRIPTION



- Stanchion Mount (**STM**) extends the **1052YM** Floodlight off a surface for a variety of lighting applications.
- Sign lights are suitable for wall and ground mount applications.
- This is a single head sign light. Double head sign lights are available.



1052YM



STM-S

1052YM PRODUCT FEATURES

| | |
|--------------|---|
| Wattage | 26 or 35 W |
| Voltage | 120 – 277 VAC (208 VAC excluded) |
| Lumens | 1821-3690 Delivered Lumens |
| Distribution | NEMA type [H x V]: 6x6(WW), 7x4(WG), 6x4(NS), 7x5(MF), 7x7(WF), 7x5(AS) |
| CCT | 2700K, 3000K, 3500K, 4000K, 5000K |
| CRI | 80 CRI min. |
| Dimming | 0-10V or Phase Cut (TRIAC/ELV-120 VAC only) available |
| Driver | Multi-Volt with tri-modal dimming capabilities |
| Dimensions | 24 ¹³ / ₃₂ " W x 8 ¹³ / ₃₂ " H x 3" D |

STM-S PRODUCT FEATURES

| | |
|------------------|---------------------------------------|
| Material | Aluminum |
| Fixture Mounting | 1/2" NPT Hub Opening |
| Base Mounting | J-Bolt Anchor Assembly |
| Dimensions | 4 1/4" W x [8" 12" 18" 24"] H |



STM-S





1052YM ORDERING INFORMATION

EXAMPLE: 1052YM-B-MF-27-A-MV-PCT-GS

| MODEL | FINISH | DIST | TEMP | LUMENS | VOLTAGE | DIMMING | ACC | ACC |
|--------|--------|------|------|--------|---------|---------|-----|-----|
| 1052YM | | | | | MV | | | 5 |

| MODEL | FINISH | DISTRIBUTION | COLOR TEMPERATURE |
|--------|-------------------------------|----------------------------|-----------------------------|
| 1052YM | B Black | LZ Light Bronze | WI Weathered Iron |
| | Z Architectural Bronze | SB Special Bronze | GM Graphite Metallic |
| | DZ Dark Bronze | GG Glossy Gray | G Verde |
| | GT Granite | R Rust | P Pewter |
| | W White | HG Hunter Green | M Mocha |
| | BR Architectural Brick | WB Weathered Bronze | OF Olde Finish |
| | | | WW Wall Wash |
| | | | WG Wall Grazer |
| | | NS Narrow | |
| | | MF Medium Flood | |
| | | WF Wide Flood | |
| | | AS Asymmetric | |
| | | 27 2700K | |
| | | 30 3000K | |
| | | 35 3500K | |
| | | 40 4000K | |
| | | 50 5000K | |

| DELIVERED LUMENS | VOLTAGE | DIMMING | ACCESSORIES | ORDERING NOTES |
|--|---|--|---|--|
| A 2000 (min.) B 3000 (min.) | MV Multi-Volt [120 – 277 VAC] (208 VAC excluded) | ND Non Dimming 010 0-10V PCT Phase Cut (TRIAC/ELV-120VAC only) | GS Internal Glare Shield VR Polycarbonate Lens 5 5 Foot Wire Lead (required for use with STM) | If fixture is to be used in conjunction with Extended Arm Mount (STM): Must specify with extended wire length |

STM-S ORDERING INFORMATION

EXAMPLE: STM-B-24-S

| MODEL | FINISH | LENGTH | CONFIGURATION |
|-------|--------|--------|---------------|
| STM | | | S |

| MODEL | FINISH | LENGTH | CONFIGURATION |
|-------|-------------------------------|-----------------------------|--|
| STM | B Black | R Rust | 8 8 Inches 12 12 Inches 18 18 Inches 24 24 Inches CST Custom Length |
| | Z Architectural Bronze | HG Hunter Green | |
| | DZ Dark Bronze | WB Weathered Bronze | |
| | GT Granite | WI Weathered Iron | |
| | W White | GM Graphite Metallic | |
| | BR Architectural Brick | G Verde | |
| | LZ Light Bronze | P Pewter | |
| | SB Special Bronze | M Mocha | |
| | GG Glossy Gray | OF Olde Finish | |
| | | | |





1052YM SPECIFICATIONS

HOUSING:

Extruded aluminum body with die-cast aluminum end caps and mountings. Optic and driver compartment environmentally sealed. Mounted on ¼" aluminum yoke.

FINISH:

Powder coat finish available in Black, Architectural Bronze, Dark Bronze, Granite, White, Architectural Brick, Light Bronze, Special Bronze, Glossy Gray, Rust, Hunter Green, Weathered Bronze, Weathered Iron, Graphite Metallic, Verde, Pewter, Mocha and Olde Finish. Custom Powder coat finishes available on request.

REFLECTOR:

Specular or semi-specular extruded aluminum optics anodized and bright dipped for maximum reflectivity.

LENS:

4mm (.164") thick tempered and beveled clear glass. Permanently affixed and sealed to the optics housing with RTV silicon. Masked frit opening (black only) available.

ACCESSORIES:

Internal Glare Shield **GS**.
Polycarbonate Lens **VR**.

WIRING:

- 18/3 SEOOO outdoor rated waterproof cable
[for Non-dimmable and Phase Cut (TRIAC/ELV-120VAC only) options]
- 18/5 SJTOW outdoor rated waterproof cable
[for 0-10V dimming option]

MOUNTING:

Extruded aluminum Yoke Mount, affixed with stainless steel hardware. Yoke Mount is adjustable for precise aiming.

LED:

Mid-power linear LED driven at 1000mA or 1400mA. 2000+ or 3200+ Lumens delivered (1000+ or 1600+ per lineal foot). 26 or 35 Watts (13W or 19W per lineal foot).

COLOR TEMPERATURE:

2700K, 3000K, 3500K, 4000K or 5000K CCT White.

COLOR RENDERING:

80 CRI minimum

OPTICS/AIMING:

NEMA defined floodlight optics with wide lateral throws – extruded aluminum.

DRIVER:

Multi-Volt **MV** 120 – 277 VAC (208 VAC excluded)
Equipped with tri-modal dimming capabilities.
Start up/Operating Temperature: -10°C to +50°C.
Non-dimmable, 0-10V and Phase Cut (TRIAC/ELV-120VAC only) options available.

LIGHT DISTRIBUTION:

Wall Wash (NEMA 6HX 6V), Wall Grazer (NEMA 7HX 4V),
Narrow (NEMA 7HX 4V), Medium Flood (NEMA 7HX 5V),
Wide Flood (NEMA 6HX 4V), Asymmetric (NEMA 7HX 5V)
distributions available.

CERTIFICATIONS | STANDARDS | COMPLIANCE:

- UL Certified for wet locations (USA & Canada) | (UL)
- Ingress Protection Rating: **IP66**
- Buy American Act (**BAA**)
- Build America, Buy America Act (**BABA**)

STM-S SPECIFICATIONS

DESCRIPTION:

Stanchion Mount is designed for in-grade, wall-mount, and a variety of lighting applications. It can be ordered in 8", 12", 18" and 24" standard lengths. Custom lengths are available.

CONSTRUCTION:

Heavy wall extruded, die-cast and machined aluminum parts.

FINISH:

Powder coat finish available in Black, Architectural Bronze, Dark Bronze, Granite, White, Architectural Brick, Light Bronze, Special Bronze, Glossy Gray, Rust, Hunter Green, Weathered Bronze, Weathered Iron, Graphite Metallic, Verde, Pewter, Mocha and Olde Finish. Custom Powder coat finishes available on request.

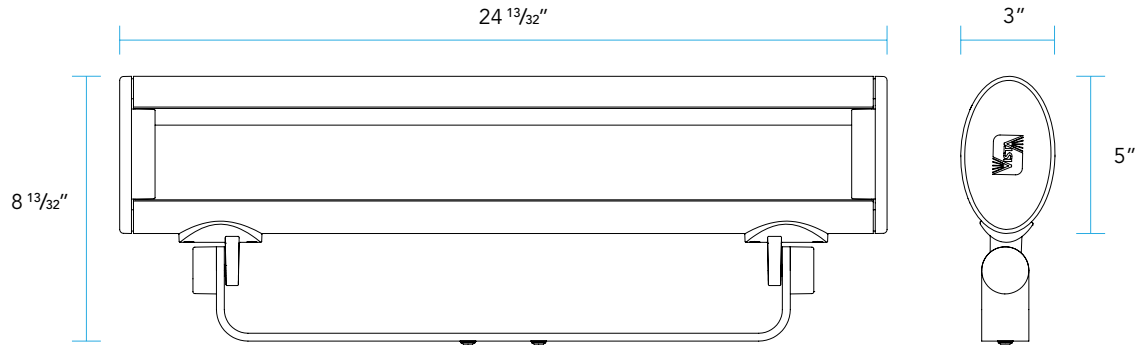
MOUNTING:

Mounted over J-Bolt Anchor Assembly (recessed in concrete).

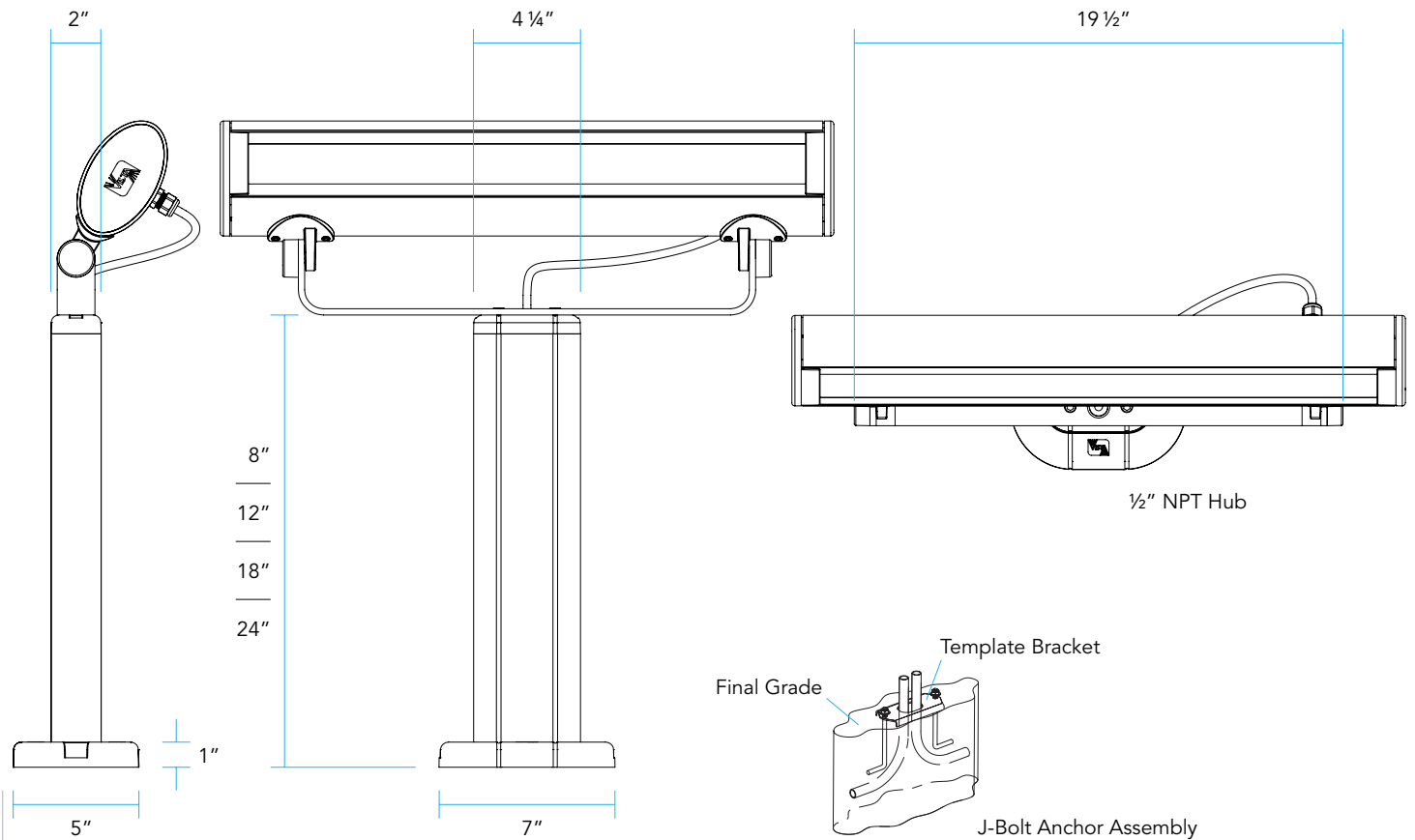




DIMENSIONS



1052YM



STM-S





DELIVERED LUMENS

| BEAM SPREAD | A | B |
|--------------------|-------------------------|---------------------------|
| Wall Wash WW | 26 Watts 2289 Lumens | 35.6 Watts 3132 Lumens |
| Wall Grazer WG | 26 Watts 2631 Lumens | 35.6 Watts 3635 Lumens |
| Narrow Spot NS | 26 Watts 1821 Lumens | 35.6 Watts 2553 Lumens |
| Medium Flood MF | 26 Watts 2696 Lumens | 35.6 Watts 3690 Lumens |
| Wide Flood WF | 26 Watts 2307 Lumens | 35.6 Watts 3099 Lumens |
| Asymmetric AS | 28 Watts 3044 Lumens | 35.6 Watts 3914 Lumens |

