



MODEL 1188 | Specification Sheet
Commercial Series • In-Grade • LED

TYPE: MODEL:
PROJECT:

PRODUCT FEATURES



Wattage	28 – 37 W
Voltage	120 – 277 VAC
Lumens	1700 – 3248 Delivered Lumens
Distribution	NEMA type [H x V]: 2x2 (VNS), 2x2 (NS), 4x4 (MF), 6x6 (WF), 5x5 (WW)
CCT	2700K, 3000K, 3500K, 4000K, 5000K
CRI	80 CRI min.
Dimming	0-10V or Phase Cut (TRIAC/ELV-120VAC only) available
Driver	Multi-Volt 120-277VAC with tri-modal dimming capabilities
Dimensions	12" DIA x 12" D



ORDERING INFORMATION

EXAMPLE: 1188-GM-MF-27-B-MV-CX-PCT-B34-TO10

MODEL	FINISH	DIST	TEMP	LUMENS	VOLTAGE	LENS	DIMMING	ENTRIES	ACC
1188					MV				

MODEL	DOOR FINISH	DISTRIBUTION	COLOR TEMP	DELIVERED LUMENS	VOLTAGE
1188	B Black	LZ Light Bronze	WI Weathered Iron	VNS Very Narrow Spot *	A 1700 - 2000 B 2000 - 2500 C 2500 - 3000
	Z Architectural Bronze	SB Special Bronze	GM Graphite Metallic	NS Narrow Spot	
	DZ Dark Bronze	GG Glossy Gray	G Verde	MF Medium Flood	
	GT Granite	R Rust	P Pewter	WF Wide Flood	
	W White	HG Hunter Green	M Mocha	WW Wall Wash	
	BR Architectural Brick	WB Weathered Bronze	OF Olde Finish		

LENS	DIMMING	CONDUIT ENTRIES	ACCESSORIES	ORDERING NOTES
CX Crowned Clear	ND Non Dimming	B34 Bottom ¾" (Standard)	T05 Tilt Optic 5°	* 1188-VNS not available with B & C lumen packages. ** Colored Lenses not available with B & C Lumen packages.
AX Anti Slip Clear	010 0-10V	F34 Front ¾"	T010 Tilt Optic 10°	
	PCT Phase Cut (TRIAC/ELV-120VAC only)	S34 Sides ¾"	T015 Tilt Optic 15°	
		A34 All ¾"	T025 Tilt Optic 25°	
			DF Diffuse Filter	
			LSF Linear Spread Filter	
			STR Stainless Steel Trim Ring	
			HS Half Glare Shield	
			YL Yellow Lens **	
			RL Red Lens **	
			BL Blue Lens **	
			GL Green Lens **	
			LSF Linear Spread Filter	
			RBK Rebar Bracket Kit	



PROFESSIONAL
OUTDOOR LIGHTING

www.VistaPro.com • email@vistapro.com • Fax: (888) 670-VISTA (8478)
1625 Surveyor Avenue • Simi Valley, CA 93063 • (805) 527-0987 • (800) 766-VISTA (8478)

Vista Professional Outdoor Lighting reserves the right to modify the design and/or construction of the fixture shown without further notification.



SPECIFICATIONS

DOOR:

TYPE III hard anodized/powder coat Die-cast A360 aluminum. Captive stainless steel fasteners affixed to a ventilated door. Inner vents allow hot air to escape from around optic housing while outer vents allow cool air to enter fixture housing.

FIXTURE HOUSING:

Compression-molded, glass-reinforced polymer. Molded with integral junction box. Unibody construction allows for superior door and optic housing support. Standard with two 3/4" NPT bottom tapped holes. 3/4" NPT front, 3/4" NPT side and 3/4" NPT conduit entry holes optional.

OPTIC HOUSING:

TYPE III hard anodized and Thermkote treated Die-cast A360 aluminum. Finned for maximum heat dissipation. Optic and driver compartment separately sealed while being electrically connected.

DRIVER COMPARTMENT:

Injection-molded PPS for maximum corrosion protection. Driver compartment houses electronic LED driver and thermostat which cuts power to fixture in abnormal ambient temperature conditions. Driver compartment is completely epoxy potted to protect electronics from moisture.

DOOR FINISH:

Powder coat finish available in Black, Architectural Bronze, Dark Bronze, Granite, White, Architectural Brick, Light Bronze, Special Bronze, Glossy Gray, Rust, Hunter Green, Weathered Bronze, Weathered Iron, Graphite Metallic, Verde, Pewter, Mocha and Olde Finish. Custom Powder coat finishes available on request.

LENS:

1/2" thick tempered pressed clear glass. Optional anti-slip clear lens.

REFLECTOR:

Specular or semi-specular spun aluminum optics, anodized for maximum performance. Very Narrow Spot optic incorporates an additional internal source shield to eliminate unwanted glare outside the beam pattern.

ACCESSORIES:

Tilt Optic 5° **TO5**, Tilt Optic 10° **TO10**, Tilt Optic 15° **TO15**, Tilt Optic 25° **TO25**, Diffuse Filter **DF**, Linear Spread Filter **LSF**, Rebar Bracket Kit **RBK**, Stainless Trim Ring **STR**, Half Glare Shield **HS** available.

Dichroic Lenses: Yellow **YL**, Red **RL**, Blue **BL** and Green **GL** also available.

WIRING:

- 18/3 SEOWW outdoor rated waterproof cable [for Non-dimmable and Phase Cut (TRIAC/ELV-120VAC only) options]
- 18/5 SJTOW outdoor rated waterproof cable [for 0-10V dimming option]

MOUNTING:

Fixture suitable for direct burial in earth or poured concrete applications.

LOAD RATING:

Peak compressive force of **8,000 lbs.** This represents 95% of max load to load failure on average. Independent tests performed by SGS US Testing Company, Inc., an ISO 17025 accredited National Testing Laboratory.

CERTIFICATION:

cETLus wet location listed.
Ingress Protection Rating: IP68

LED:

Performance COB LEDs in various color temperatures.
28 – 37 Watts.
1700 – 3248 Delivered Lumens

COLOR TEMPERATURE:

2700K, 3000K, 3500K, 4000K or 5000K CCT White.

COLOR RENDERING:

80 CRI minimum

OPTICS/AIMING:

Specular or semi-specular optics designed for maximum performance and uniformity. Fixture aiming achieved via a series of tilt optic lenses and patented magnetic aiming system. Additional tilt optic lenses available. Very Narrow Spot optic incorporates an additional internal source shield to eliminate unwanted glare outside the beam pattern.

DRIVER:

Multi-Volt **MV** 120V-277V equipped with tri-modal dimming capabilities. Start up/Operating Temperature: -10°C to +50°C. Non-dimmable, 0-10V and Phase Cut (TRIAC/ELV-120VAC only) options available.

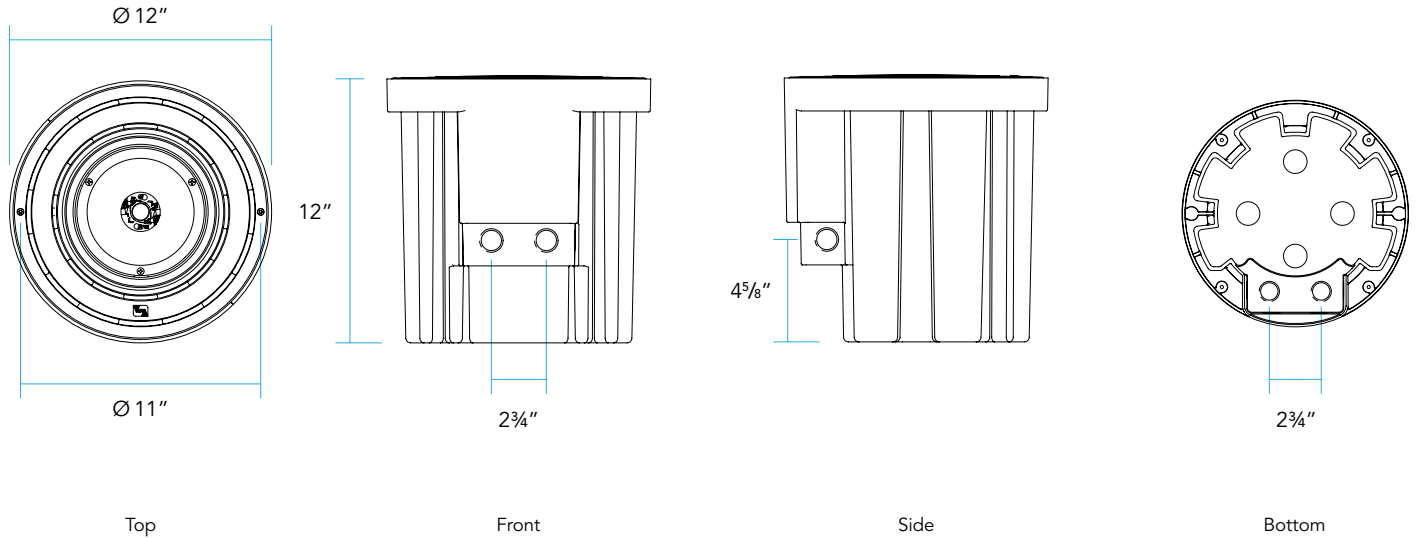
LIGHT DISTRIBUTION:

Very Narrow Spot **VNS** NEMA 2x2
Narrow Spot **NS** NEMA 2x2
Medium Flood **MF** NEMA 4x4
Wide Flood **WF** NEMA 6x6
Wall Wash **WW** NEMA 5x5





DIMENSIONS



DELIVERED LUMENS

BEAM SPREAD	A	B	C
Very Narrow Spot VNS	34.9 Watts 1699 Lumens		
Narrow Spot NS	28.3 Watts 2180 Lumens	32.3 Watts 2488 Lumens	36.3 Watts 2796 Lumens
Medium Flood MF	27.6 Watts 2120 Lumens	31.5 Watts 2418 Lumens	35.4 Watts 2718 Lumens
Wide Flood WF	29.2 Watts 2532 Lumens	33.3 Watts 2891 Lumens	37.4 Watts 3248 Lumens
Wall Wash WW	28.1 Watts 1730 Lumens	32.0 Watts 1977 Lumens	36.0 Watts 2225 Lumens

