



**MODEL 1504** | Gradient | Specification Sheet  
Commercial Series • Step & Marker • LED

TYPE:  MODEL:   
PROJECT:

**PRODUCT FEATURES**



Wattage	10 W [WHITE]	8 W [AMBER]
Voltage	120 – 277 VAC	
Lumens	506 Delivered Lumens [WHITE]	207 Delivered Lumens [AMBER]
Distribution	No-glare, sharp cut-off optics	
CCT	2700K, 3000K, 3500K, 4000K [WHITE]	595nm [AMBER]
CRI	80 CRI min. [WHITE]	
Dimming	0-10V or Phase Cut (TRIAC/ELV-120VAC only) available	
Driver	Constant current Class 2 Output	
Dimensions	8¼" H x 3¼" W x 4⅝" D	

**ORDERING INFORMATION**

EXAMPLE: 1504-BL2-BSN-27-MV-PCT-CP-ER-1504-1

MODEL	DOOR COVER	FINISH	COLOR TEMP	VOLTAGE	DIMMING	HOUSING	MOUNTING	ACCESSORIES
1504				MV		CP		

MODEL	DOOR COVER	FINISH	COLOR TEMP	VOLTAGE
<b>1504</b>	<b>BL2</b> Brass Gradient Door <b>SL2</b> Stainless Steel Gradient Door	<b>SS</b> Stainless Steel * <b>BSN</b> Natural Brass ** <b>BSO</b> Olde Brass **	<b>27</b> 2700°K <b>30</b> 3000°K <b>35</b> 3500°K <b>40</b> 4000°K <b>AMB</b> 595 nm	<b>MV</b> Multi Volt
DIMMING	HOUSING	MOUNTING	ACCESSORIES	ORDERING NOTES
<b>ND</b> Non Dimming <b>010</b> 0-10V <b>PCT</b> Phase Cut (TRIAC/ELV-120VAC only)	<b>CP</b> Composite	<b>FT</b> Flush Tray ***	<b>ER-1504-1</b> (1 Extension Ring) <b>ER-1504-2</b> (2 Extension Rings) <b>ER-1504-3</b> (3 Extension Rings) <b>DF1</b> Diffuser Film	* Stainless Steel Doors only. ** Brass Doors only. *** Flush tray optional. No code required for standard mounting.



PROFESSIONAL  
OUTDOOR LIGHTING

www.VistaPro.com • email@vistapro.com • Fax: (888) 670-VISTA (8478)  
1625 Surveyor Avenue • Simi Valley, CA 93063 • (805) 527-0987 • (800) 766-VISTA (8478)

Vista Professional Outdoor Lighting reserves the right to modify the design and/or construction of the fixture shown without further notification.



## SPECIFICATIONS

### HOUSING:

Injection-molded fiber-reinforced polymer Rough-in box with threaded brass inserts. UV stable.

### DOOR COVER:

Option of stamped brass or stamped stainless steel.

### LENS:

Clear, tempered, shock and heat-resistant soda-lime glass lens.

### REFLECTOR:

Segmented specular lighting sheet.  
No glare fixed optics.

### MOUNTING:

Rough-in box designed for installation in concrete, brick/block, wood frame construction (non-IC) and insulated walls (IC).

### FASTENERS/INSERTS:

All fasteners are stainless steel.

### CERTIFICATIONS | STANDARDS | COMPLIANCE:

- UL Certified for wet locations (USA & Canada) | (UL 1598)
- Ingress Protection Rating: **IP66**
- Buy American Act (**BAA**)
- Build America, Buy America Act (**BABA**)

### LED:

Integrated LED module.

- **White:** 506 Lumens delivered | 10 Watts
- **Amber:** 207 Lumens delivered | 8 Watts

### COLOR TEMPERATURE:

- **White:** 2700K, 3000K, 3500K or 4000K CCT
- **Amber:** 595 nM

### COLOR RENDERING:

80 CRI minimum [WHITE]

### BUG RATING:

- **White:** B0 – U2 – G1
- **Amber:** B0 – U1 – G1

### OPTICS/AIMING:

No-glare, sharp cut-off optics.

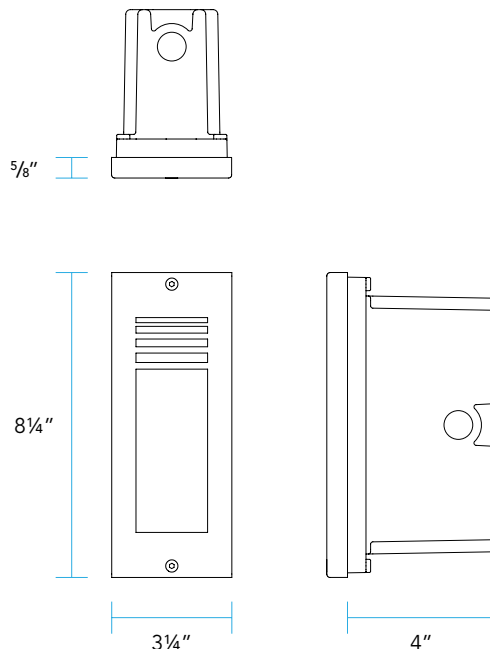
### DRIVER:

Integral cUL listed Class 2 LED driver, either non-dimmable ND or dimmable. Dimming: 0-10V and Phase Cut (TRIAC/ELV-120VAC only) options available.

### ELECTRICAL:

Universal voltage input (120- 277VAC) Suitable for through branch wiring. Four ½" NPT conduit entry hubs with knockout membrane standard.

## DIMENSIONS



### IMPORTANT NOTE:

Door cover will sit proud of front face of Rough-in box (typically finished surface) by 5/8".  
For a flush Door Cover appearance, the Flush Tray (FT) MOUNTING must be used.

