



# 1050KM + EAM-D | Specification Sheet

Commercial Series • Sign Light

TYPE:  MODEL:

PROJECT:

## DESCRIPTION



- Extended Arm Mount (EAM) extends two **1050KM** Linear Floodlights off a surface for a variety of lighting applications.
- Sign lights are suitable for wall and ground mount applications.



1050KM



EAM-D-S

### 1050KM PRODUCT FEATURES

Wattage	5 or 10 W
Voltage	120 – 277 VAC
Lumens	347-990 Delivered Lumens
Distribution	NEMA type [ H x V]: 6x7 (WW), 7x4 (WG), 6x6 (NS), 6x5 (MF), 7x7 (WF), 7x5 (AS)
CCT	2700K, 3000K, 3500K, 4000K, 5000K
CRI	80 CRI min.
Dimming	0-10V or Phase Cut (TRIAC/ELV-120 VAC only) available
Driver	Multi-Volt with tri-modal dimming capabilities
Dimensions	7" W x 8 <sup>9</sup> / <sub>32</sub> " H x 3" D

### EAM-D-S PRODUCT FEATURES

Material	Aluminum
Mounting	1/2" NPT
Dimensions	1" DIA x [ 12"   18" ] W x [ 18"   24"   36" ] L
<b>90S</b>	90° Slip-fitter 1 3/8" Dia x 3" L



90S



PROFESSIONAL  
OUTDOOR LIGHTING

www.VistaPro.com • email@vistapro.com • Fax: (888) 670-VISTA (8478)  
1625 Surveyor Avenue • Simi Valley, CA 93063 • (805) 527-0987 • (800) 766-VISTA (8478)

Vista Professional Outdoor Lighting reserves the right to modify the design and/or construction of the fixture shown without further notification.



**1050KM ORDERING INFORMATION**

EXAMPLE: 1050KM-B-MF-27-A-MV-PCT-GS

MODEL	FINISH	DIST	TEMP	LUMENS	VOLTAGE	DIMMING	ACC	ACC
1050KM					MV			5

MODEL	FINISH	DISTRIBUTION			COLOR TEMPERATURE				
1050KM	<b>B</b> Black	<b>LZ</b> Light Bronze	<b>WI</b> Weathered Iron	<b>WW</b> Wall Wash	<b>27</b> 2700K				
	<b>Z</b> Architectural Bronze	<b>SB</b> Special Bronze	<b>GM</b> Graphite Metallic	<b>WG</b> Wall Grazer	<b>30</b> 3000K				
	<b>DZ</b> Dark Bronze	<b>GG</b> Glossy Gray	<b>G</b> Verde	<b>NS</b> Narrow	<b>35</b> 3500K				
	<b>GT</b> Granite	<b>R</b> Rust	<b>P</b> Pewter	<b>MF</b> Medium Flood	<b>40</b> 4000K				
	<b>W</b> White	<b>HG</b> Hunter Green	<b>M</b> Mocha	<b>WF</b> Wide Flood	<b>50</b> 5000K				
	<b>BR</b> Architectural Brick	<b>WB</b> Weathered Bronze	<b>OF</b> Olde Finish	<b>AS</b> Asymmetric					
DELIVERED LUMENS		VOLTAGE		DIMMING		ACCESSORIES		ORDERING NOTES	
<b>A</b> 347 (min.)		<b>MV</b> Multi-Volt [120 – 277 VAC]		<b>ND</b> Non Dimming		<b>GS</b> Internal Glare Shield		If fixture is to be used in conjunction with Extended Arm Mount ( <b>EAM</b> ): Must specify with extended wire length	
<b>B</b> 741 (min.)				<b>010</b> 0-10V		<b>VR</b> Polycarbonate Lens			
				<b>PCT</b> Phase Cut (TRIAC/ELV-120VAC only)		<b>5</b> 5 Foot Wire Lead (required for use with EAM)			

**EAM-D ORDERING INFORMATION**

EXAMPLE: EAM-D18-B-S-24-90S

MODEL	CONFIGURATION	FINISH	SWEEP	LENGTH	ACCESSORIES
EAM			S		

MODEL	CONFIGURATION	FINISH					
EAM	<b>D12</b> 12" wide double mount	<b>B</b> Black	<b>LZ</b> Light Bronze	<b>WI</b> Weathered Iron			
	<b>D18</b> 18" wide double mount	<b>Z</b> Architectural Bronze	<b>SB</b> Special Bronze	<b>GM</b> Graphite Metallic			
		<b>DZ</b> Dark Bronze	<b>GG</b> Glossy Gray	<b>G</b> Verde			
		<b>GT</b> Granite	<b>R</b> Rust	<b>P</b> Pewter			
		<b>W</b> White	<b>HG</b> Hunter Green	<b>M</b> Mocha			
		<b>BR</b> Architectural Brick	<b>WB</b> Weathered Bronze	<b>OF</b> Olde Finish			
SWEEP		LENGTH		ACCESSORIES		ORDERING NOTES	
<b>S</b> Straight		<b>18</b> 18 Inches		<b>90S</b> 90° Slip-fitter		Custom length stems available – Consult Vista factory.	
		<b>24</b> 24 Inches					
		<b>36</b> 36 Inches					





### 1050KM SPECIFICATIONS

**HOUSING:**

Extruded aluminum body with die-cast aluminum end caps and mountings. Optic and driver compartment environmentally sealed. Housing aimable utilizing Vista's patented Infinity Knuckle.

**FINISH:**

Powder coat finish available in Black, Architectural Bronze, Dark Bronze, Granite, White, Architectural Brick, Light Bronze, Special Bronze, Glossy Gray, Rust, Hunter Green, Weathered Bronze, Weathered Iron, Graphite Metallic, Verde, Pewter, Mocha and Olde Finish. Custom Powder coat finishes available on request.

**REFLECTOR:**

Specular or semi-specular extruded aluminum optics anodized and bright dipped for maximum reflectivity.

**LENS:**

4mm (.164") thick tempered and beveled clear glass. Permanently affixed and sealed to the optics housing with RTV silicon. Masked frit opening (black only) available.

**ACCESSORIES:**

Internal Glare Shield **GS**.  
Polycarbonate Lens **VR**.

**WIRING:**

Prewired with 150° C-rated wire.

**MOUNTING:**

Infinity Knuckle – Die-cast, copper-free aluminum, stainless steel stem with 1/2" NPT thread. A fully sealed spherical grommet allows for precise aiming and retention.

**CERTIFICATIONS | STANDARDS | COMPLIANCE:**

- UL Certified for wet locations (USA & Canada) | (UL)
- Ingress Protection Rating: **IP66**
- Buy American Act (**BAA**)
- Build America, Buy America Act (**BABA**)

**LED:**

Mid-power LED driven at 350mA.  
347+ or 741+ Lumens delivered | 5 or 10 Watts

**COLOR TEMPERATURE:**

2700K, 3000K, 3500K, 4000K or 5000K CCT White.

**COLOR RENDERING:**

80 CRI minimum

**OPTICS/AIMING:**

NEMA defined floodlight optics with wide lateral throws – extruded aluminum.

**DRIVER:**

Multi-Volt **MV 120 – 277 VAC**  
Equipped with tri-modal dimming capabilities.  
Start up/Operating Temperature: -10°C to +50°C.  
Non-dimmable, 0-10V and Phase Cut (TRIAC/ELV-120VAC only) options available.

**LIGHT DISTRIBUTION:**

Wall Wash (NEMA 6HX 7V), Wall Grazer (NEMA 7HX 4V),  
Narrow (NEMA 6HX 6V), Medium Flood (NEMA 6HX 5V),  
Wide Flood (NEMA 7HX 7V), Asymmetric (NEMA 7HX 5V)  
distributions available.

### EAM-D SPECIFICATIONS

**CONSTRUCTION:**

Heavy wall extruded, die-cast and machined aluminum parts.

**FINISH:**

Powder coat finish available in Black, Architectural Bronze, Dark Bronze, Granite, White, Architectural Brick, Light Bronze, Special Bronze, Glossy Gray, Rust, Hunter Green, Weathered Bronze, Weathered Iron, Graphite Metallic, Verde, Pewter, Mocha and Olde Finish. Custom Powder coat finishes available on request.

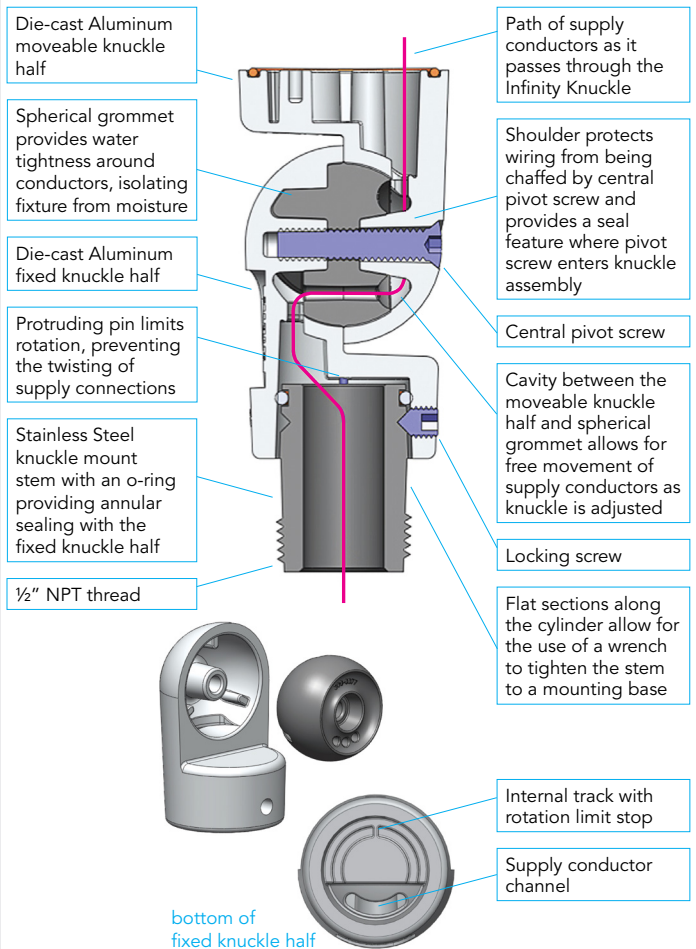
**MOUNTING:**

1/2" NPT threading for connection to mounting accessory such as a Vista Wall Mount Box or Mounting Canopy.

**ACCESSORIES:**

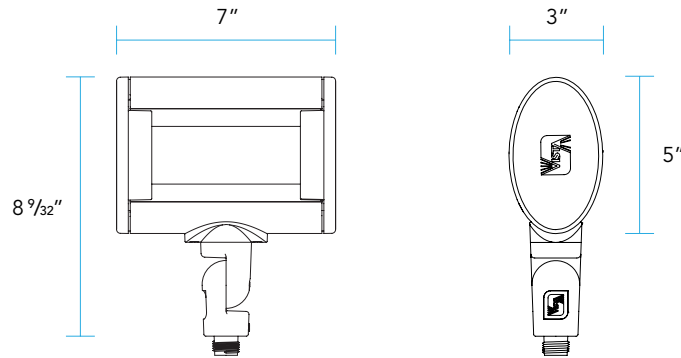
A convenient and compact 90° machined aluminum Slip-fitter can be ordered to change the lighting fixture orientation 90° at the end of the extension arm.

### INFINITY KNUCKLE FEATURES

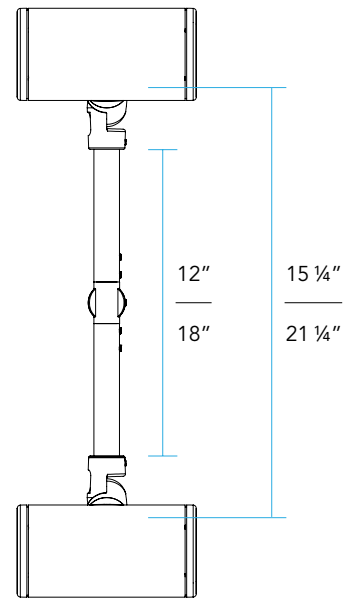
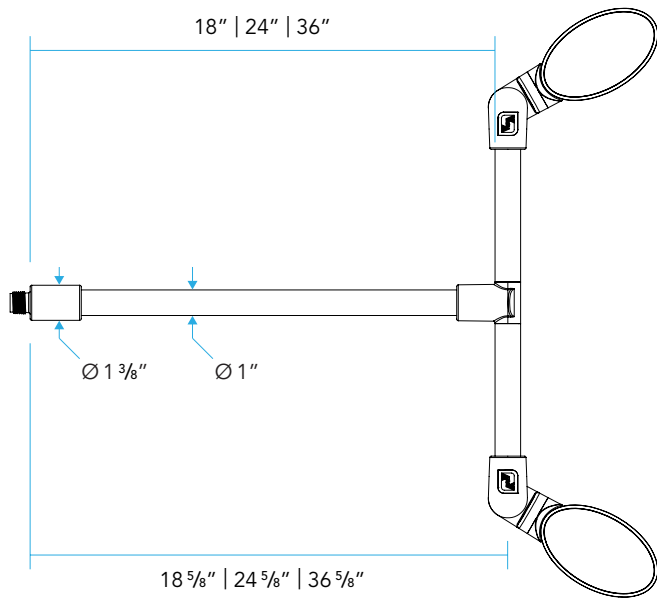




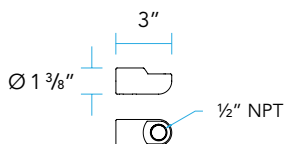
DIMENSIONS



1050KM



EAM-D



90S





**DELIVERED LUMENS**

BEAM SPREAD	A	B
Wall Wash WW	5 Watts 397 Lumens	10 Watts 847 Lumens
Wall Grazer WG	5 Watts 464 Lumens	10 Watts 990 Lumens
Narrow NS	5 Watts 347 Lumens	10 Watts 741 Lumens
Medium Flood MF	5 Watts 439 Lumens	10 Watts 937 Lumens
Wide Flood WF	5 Watts 386 Lumens	10 Watts 823 Lumens
Asymmetric AS	5 Watts 442 Lumens	10 Watts 943 Lumens

