



1052WM · RGBW · WALL MOUNT

Specification Sheet | Commercial Series · Linear Floodlight

TYPE: MODEL:

PROJECT:

PRODUCT FEATURES



Wattage	50 W (MAX)
Voltage	120 – 277 VAC
Lumens	4162 Delivered Lumens (MAX)
Distribution	Narrow, Medium Flood, Wide Flood, Wall Wash, Wall Grazer, Asymmetric
Color	RGB and Tunable White (2200K – 6000K)
Controls	DMX 512-A with RDM capabilities
Driver	4 channel DMX512-A/RDM compatible
Fixture Dimensions	24 7/16" W x 6 3/4" H
Wall Box Dimensions	8" DIA x 2 3/4" D



ORDERING INFORMATION

EXAMPLE: 1052WM-B-AS-RGBW-SB12-MV-DMX-GS

MODEL	FINISH	DISTRIBUTION	COLOR	MOUNTING	VOLTAGE	CONTROL	ACCESSORIES
1052WM			RGBW		MV	DMX	

MODEL	FINISH			DISTRIBUTION	
1052WM	B Black	BR Architectural Brick	G Verde	NS Narrow	
	Z Architectural Bronze	LZ Light Bronze	P Pewter		
	DZ Dark Bronze	SB Special Bronze	M Mocha		
	GT Granite	GG Glossy Gray	OF Olde Finish		
	W White	R Rust			
		HG Hunter Green			
		WB Weathered Bronze			
		WI Weathered Iron			
		GM Graphite Metallic			
					MF Medium Flood
			WF Wide Flood		
			WW Wall Wash		
			WG Wall Grazer		
			AS Asymmetric		
COLOR	MOUNTING		VOLTAGE	CONTROL	ACCESSORIES
RGBW RGB + Tunable White	SB12 Surface Box 1/2" NPT hubs	MV Multi Volt	DMX DMX 512-A with RDM capabilities	GS Internal Glare Shield	
	SB34 Surface Box 3/4" NPT hubs				
	SBKO Surface Box 4-0 Box Knockout				
				VR Polycarbonate Lens	



PROFESSIONAL
OUTDOOR LIGHTING

www.VistaPro.com · email@vistapro.com · Fax: (888) 670-VISTA (8478)
1625 Surveyor Avenue · Simi Valley, CA 93063 · (805) 527-0987 · (800) 766-VISTA (8478)

Vista Professional Outdoor Lighting reserves the right to modify the design and/or construction of the fixture shown without further notification.



SPECIFICATIONS

HOUSING:

Extruded aluminum body with die-cast aluminum end caps and mountings. Optic and driver compartment environmentally sealed. Mounted on die cast aluminum fitting. Adjustable $\pm 15^\circ$.

WALL BOX HOUSING:

Die-cast A360 aluminum. Separate power and communication splicing compartments environmentally sealed. Integral 4 channel DMX driver completely wired by factory.

FINISH:

Powder coat finish available in Black, Architectural Bronze, Dark Bronze, Granite, White, Architectural Brick, Light Bronze, Special Bronze, Glossy Gray, Rust, Hunter Green, Weathered Bronze, Weathered Iron, Graphite Metallic, Verde, Pewter, Mocha and Olde Finish. Custom Powder coat finishes available on request.

REFLECTOR:

Specular or semi-specular extruded aluminum optics anodized and bright dipped for maximum reflectivity.

ACCESSORIES:

Internal Glare Shield **GS** and Polycarbonate Lens **VR**

WIRING:

- **Power:** 3 conductors. Terminates in isolated power junction box of the Surface Box.
- **Communication:** DMX, 2 twisted pairs in & out plus drain, terminates in isolated communication junction box of the Surface Box.

MOUNTING:

- **Fixture:** Die-cast, aluminum Wall Mount, affixed with stainless steel hardware and factory mounted to the Surface Box Cover. Wall Mount is adjustable for precise aiming.
- **Surface Box:** Two size ¼-20 knockout holes provided for surface mounting with fasteners (by others).
- **Concrete Pour Mask (CPM):** Included for recessed mounting in concrete. Also included is an 8-32 rod kit for attachment of the Surface Box to pour forms.

CERTIFICATION:

UL wet location listed

LED:

White and RGB LEDs arranged in four channel configuration. Configuration allows for infinite color combinations.

CONTROLS:

Integral drivers equipped, **One (1) included**, with DMX512-A protocols. Each integral driver has a unique 12 digit UID. Fixture identification accessible through RDM and consumes **1 Node** on a standard **32 Node** (max) DMX BUS.

COLOR RENDERING (WHITE):

90 CRI minimum at 3000K

OPTICS/AIMING:

NEMA defined floodlight optics with wide lateral throws – extruded aluminum. $\pm 15^\circ$ aiming adjustment

LIGHT DISTRIBUTION [WHITE]:

Narrow **NS** (88.3° H x 28.4° V) | Max. Candela: 3061
 Medium Flood **MF** (95.3° H x 57.3° V) | Max. Candela: 2521
 Wide Flood **WF** (78.2° H x 88.2° V) | Max. Candela: 1551
 Wall Wash **WW** (83.5° H x 50.5° V) | Max. Candela: 2088
 Wall Grazer **WG** (101.1° H x 20.6° V) | Max. Candela: 5740
 Asymmetric **AS** (91.8° H x 67.3° V) | Max. Candela: 2073

DRIVER:

4 channel DMX512-A/RDM compatible driver 12 digit UID number.

Driver is factory set to start Channel 1:

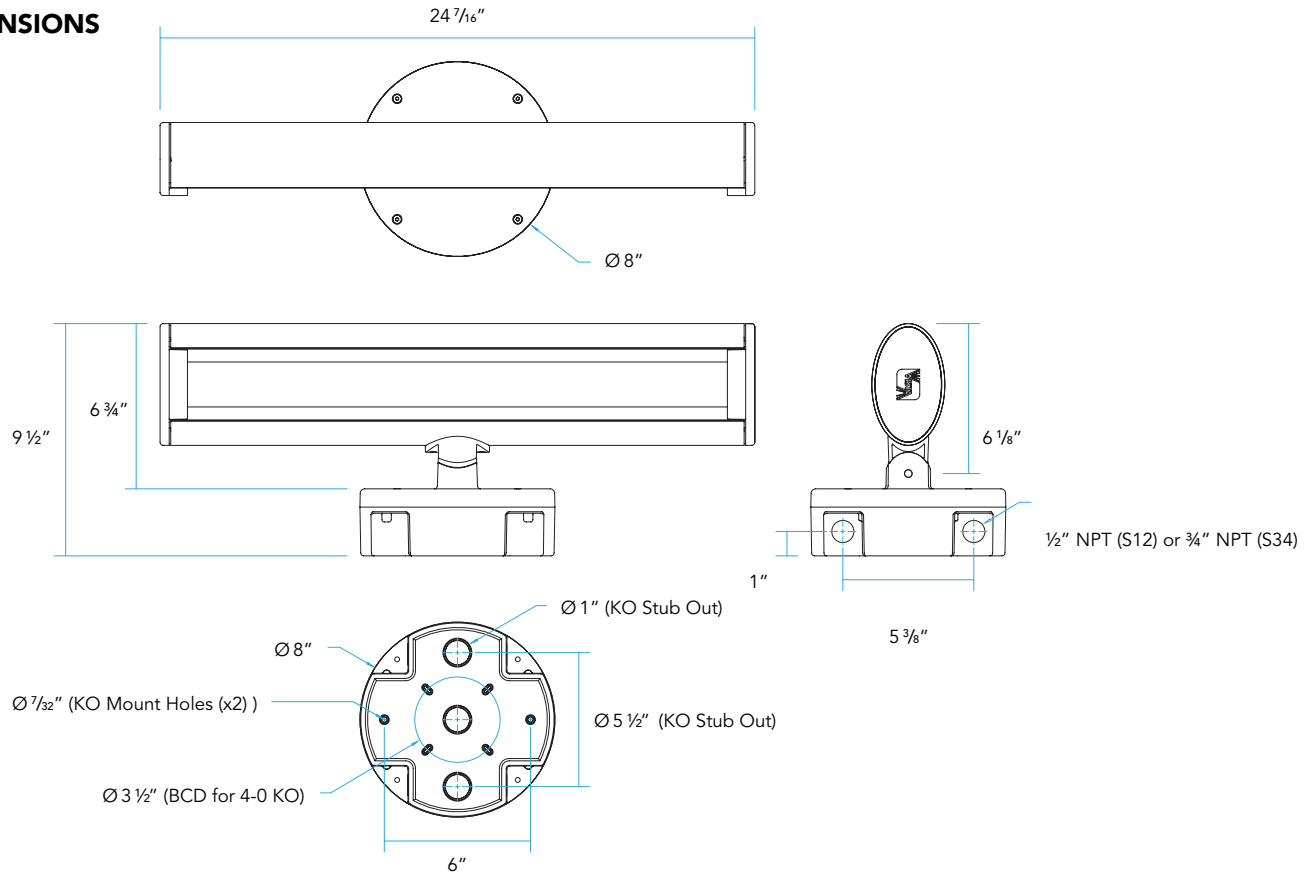
- Channel 1 – Red
- Channel 2 – Green
- Channel 3 – Blue
- Channel 4 – White

The start channel can be changed during commissioning via RDM using the driver 12 digit UID number.





DIMENSIONS



DELIVERED LUMENS SPECIFICATION

DISTRIBUTION	RED	GREEN	BLUE	WHITE
Narrow NS	15 Watts 396 Lumens	21 Watts 943 Lumens	20 Watts 213 Lumens	48 Watts 3160 Lumens
Medium Flood MF	15 Watts 467 Lumens	21 Watts 1146 Lumens	20 Watts 260 Lumens	48 Watts 3831 Lumens
Wide Flood WF	15 Watts 441 Lumens	21 Watts 1036 Lumens	21 Watts 277 Lumens	50 Watts 3418 Lumens
Wall Wash WW	15 Watts 457 Lumens	21 Watts 1065 Lumens	21 Watts 281 Lumens	50 Watts 3525 Lumens
Wall Grazer WG	15 Watts 536 Lumens	21 Watts 1274 Lumens	21 Watts 340 Lumens	50 Watts 4162 Lumens
Asymmetric AS	15 Watts 453 Lumens	21 Watts 1077 Lumens	20 Watts 242 Lumens	48 Watts 3575 Lumens





CHROMATICITY

COLOR TEMPERATURE WHITE [W]:
2200K – 6000K CCT

RED WAVELENGTH [R]:
619nm – 625nm

GREEN WAVELENGTH [G]:
520nm – 530nm

BLUE WAVELENGTH [B]:
465nm – 475nm

LED MODELS:
Lumileds LUXEON 2835 HE
Lumileds LUXEON 3528 RGB

- R** Red Wavelength Range
- G** Green Wavelength Range
- B** Blue Wavelength Range
- W** White Color Temperature Range
- A** Combined RGB Visible Color Range

