



MODEL RK94 | Specification Sheet
Commercial Series • In-Grade Retrofit • LED

TYPE: MODEL:
PROJECT:

PRODUCT FEATURES



Wattage	15 – 26 W
Voltage	120 – 277 VAC
Lumens	900 – 2000 Delivered Lumens
Distribution	NEMA type [H x V]: 2x2 (VNS), 2x2 (NS), 3x3 (MF), 4x4 (WF), 5x5 (WW)
CCT	2700K, 3000K, 3500K, 4000K, 5000K
CRI	80 CRI min.
Dimming	0-10V or Phase Cut (TRIAC/ELV-120VAC only) available
Driver	Multi-Volt 120-277VAC with tri-modal dimming capabilities
Dimensions	8 1/2" DIA x 6 1/4" D



ORDERING INFORMATION

EXAMPLE: *RK94-GM-MF-27-B-MV-CX-PCT-TO10*

MODEL	FINISH	DIST	TEMP	LUMENS	VOLTAGE	LENS	DIMMING	ACC
RK94					MV			

MODEL	DOOR FINISH			DISTRIBUTION		COLOR TEMP		DELIVERED LUMENS	
RK94	B Black	LZ Light Bronze	WI Weathered Iron	VNS Very Narrow Spot *	27 2700K			A 900 – 1200 B 1200 – 1600 C 1600 – 2000	
	Z Architectural Bronze	SB Special Bronze	GM Graphite Metallic	NS Narrow Spot	30 3000K				
	DZ Dark Bronze	GG Glossy Gray	G Verde	MF Medium Flood	35 3500K				
	GT Granite	R Rust	P Pewter	WF Wide Flood	40 4000K				
	W White	HG Hunter Green	M Mocha		50 5000K				
	BR Architectural Brick	WB Weathered Bronze	OF Olde Finish						

VOLTAGE	LENS	DIMMING	ACCESSORIES		ORDERING NOTES
MV Multi Volt (120 - 277 VAC)	CX Crowned Clear AX Anti Slip Clear	ND Non Dimming 010 0-10V PCT Phase Cut (TRIAC/ELV-120VAC only)	T05 Tilt Optic 5° T010 Tilt Optic 10° T015 Tilt Optic 15° T025 Tilt Optic 25° DF Diffuse Filter LSF Linear Spread Filter RBK Rebar Bracket Kit	STR Stainless Steel Trim Ring HS Half Glare Shield YL Yellow Lens ** RL Red Lens ** BL Blue Lens ** GL Green Lens **	* RK94-VNS not available with B & C lumen packages. ** Colored Lenses not available with B & C Lumen packages. WW Wall Wash distribution available by ordering with the following options: MF LSF TO15



PROFESSIONAL OUTDOOR LIGHTING

www.VistaPro.com • email@vistapro.com • Fax: (888) 670-VISTA (8478)
1625 Surveyor Avenue • Simi Valley, CA 93063 • (805) 527-0987 • (800) 766-VISTA (8478)

Vista Professional Outdoor Lighting reserves the right to modify the design and/or construction of the fixture shown without further notification.



SPECIFICATIONS

DESCRIPTION:

RK94 LED Retrofit Kit, for use in Hydrel's® single or double lens M9400 series. Retrofit Kit includes factory sealed LED module with integrated driver, fully potted and thermally protected.

DOOR:

TYPE III hard anodized/powder coat Die-cast A360 aluminum. Captive stainless steel fasteners affixed to a ventilated door. Inner vents allow hot air to escape from around optic housing while outer vents allow cool air to enter fixture housing.

OPTIC HOUSING:

TYPE III hard anodized and Thermkote treated Die-cast A360 aluminum. Finned for maximum heat dissipation. Optic and driver compartment separately sealed while being electrically connected.

DRIVER COMPARTMENT:

Injection-molded PPS for maximum corrosion protection. Driver compartment houses electronic LED driver and thermostat which cuts power to fixture in abnormal ambient temperature conditions. Driver compartment is completely epoxy potted to protect electronics from moisture.

DOOR FINISH:

Powder coat finish available in Black, Architectural Bronze, Dark Bronze, Granite, White, Architectural Brick, Light Bronze, Special Bronze, Glossy Gray, Rust, Hunter Green, Weathered Bronze, Weathered Iron, Graphite Metallic, Verde, Pewter, Mocha and Olde Finish. Custom Powder coat finishes available on request.

LENS:

¼" thick tempered pressed clear glass. Optional anti-slip clear lens.

REFLECTOR:

Specular or semi-specular spun aluminum optics, anodized for maximum performance. Very Narrow Spot optic incorporates an additional internal source shield to eliminate unwanted glare outside the beam pattern.

ACCESSORIES:

Tilt Optic 5° **TO5**, Tilt Optic 10° **TO10**, Tilt Optic 15° **TO15**, Tilt Optic 25° **TO25**, Diffuse Filter **DF**, Linear Spread Filter **LSF**, Rebar Bracket Kit **RBK**, Stainless Trim Ring **STR**, Half Glare Shield **HS** available.

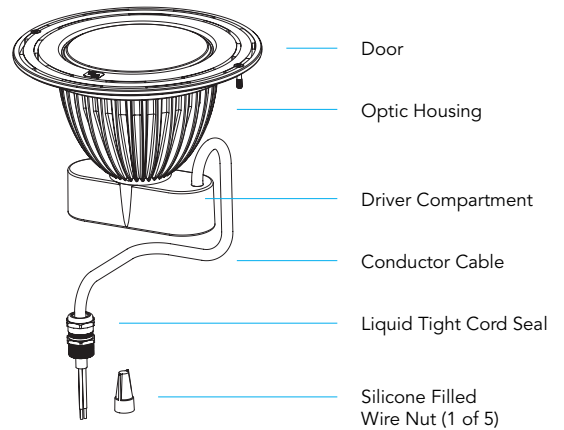
Dichroic Lenses: Yellow **YL**, Red **RL**, Blue **BL** and Green **GL** also available.

WIRING:

- 18/3 SEOWW outdoor rated waterproof cable [for Non-dimmable and Phase Cut (TRIAC/ELV-120VAC only) options]
- 18/5 SJTOW outdoor rated waterproof cable [for 0-10V dimming option]

CERTIFICATION:

cETLus wet location listed.
Ingress Protection Rating: IP68



LED:

Performance COB LEDs in various color temperatures.
15 – 26 Watts.
900 – 2000 Delivered Lumens

COLOR TEMPERATURE:

2700K, 3000K, 3500K, 4000K or 5000K CCT White.

COLOR RENDERING:

80 CRI minimum

OPTICS/AIMING:

Specular or semi-specular optics designed for maximum performance and uniformity. Fixture aiming achieved via a series of tilt optic lenses and patented magnetic aiming system. Additional tilt optic lenses available. Very Narrow Spot optic incorporates an additional internal source shield to eliminate unwanted glare outside the beam pattern.

DRIVER:

Multi-Volt **MV** 120V-277V equipped with tri-modal dimming capabilities. Start up/Operating Temperature: -10°C to +50°C. Non-dimmable, 0-10V and Phase Cut (TRIAC/ELV-120VAC only) options available.

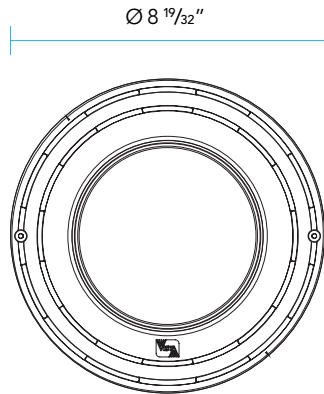
LIGHT DISTRIBUTION:

Very Narrow Spot **VNS** NEMA 2x2
Narrow Spot **NS** NEMA 2x2
Medium Flood **MF** NEMA 3x3
Wide Flood **WF** NEMA 4x4
Wall Wash **WW** NEMA 5x5 (RK94-MF-A-CX-LSF-TO15)

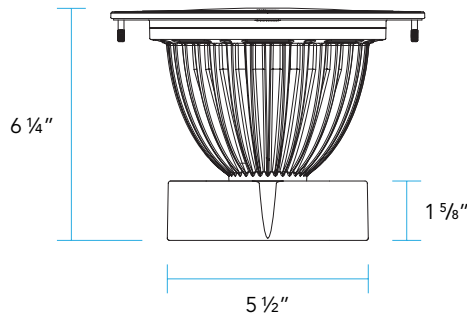




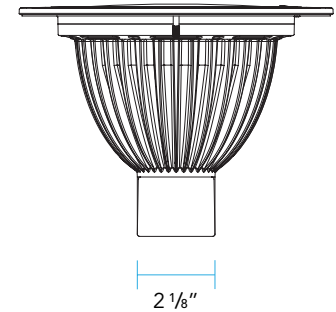
DIMENSIONS



Top



Front



Side

DELIVERED LUMENS

BEAM SPREAD	A	B	C
Very Narrow Spot VNS	25.5 Watts 1141 Lumens		
Narrow Spot NS	14.3 Watts 981 Lumens	20.6 Watts 1407 Lumens	25.4 Watts 1738 Lumens
Medium Flood MF	14.5 Watts 997 Lumens	20.8 Watts 1431 Lumens	25.7 Watts 1766 Lumens
Wide Flood WF	14.5 Watts 917 Lumens	20.8 Watts 1317 Lumens	25.7 Watts 1625 Lumens
Wall Wash WW	14.2 Watts 1014 Lumens	20.6 Watts 1467 Lumens	25.4 Watts 1811 Lumens

Wall Wash **WW**: RK94-MF-A-CX-LSF-TO15

