



**MODEL 1502** | Border | Specification Sheet  
Commercial Series • Step & Marker • LED

TYPE:  MODEL:   
PROJECT:

**PRODUCT FEATURES**



Wattage	6.5 W [WHITE]	4.5 W [AMBER]
Voltage	120 – 277 VAC	
Lumens	273 Delivered Lumens [WHITE]	108 Delivered Lumens [AMBER]
Distribution	No-glare, sharp cut-off optics	
CCT	2700K, 3000K, 3500K, 4000K [WHITE]	595nm [AMBER]
CRI	80 CRI min. [WHITE]	
Dimming	0-10V or Phase Cut (TRIAC/ELV-120VAC only) available	
Driver	Constant current Class 2 Output	
Dimensions	3¼" W x 5¼" H x 4⅝" D	

**ORDERING INFORMATION**

EXAMPLE: 1502-AB-B-27-MV-PCT-CP-ER-1502-1

MODEL	DOOR COVER	FINISH	COLOR TEMP	VOLTAGE	DIMMING	HOUSING	MOUNTING	ACCESSORIES
1502				MV		CP		

MODEL	DOOR COVER	FINISH						COLOR TEMP
1502	<b>AB</b> Aluminum Border <b>BB</b> Brass Border <b>SB</b> Stainless Steel Border	Natural Metal Finish			Powder Coat Finish			<b>27</b> 2700°K
		<b>SS</b> Stainless Steel *	<b>B</b> Black	<b>BR</b> Architectural Brick	<b>G</b> Verde	<b>30</b> 3000°K		
		<b>BSN</b> Natural Brass **	<b>Z</b> Architectural Bronze	<b>LZ</b> Light Bronze	<b>P</b> Pewter	<b>35</b> 3500°K		
		<b>BSO</b> Olde Brass **	<b>DZ</b> Dark Bronze	<b>SB</b> Special Bronze	<b>M</b> Mocha	<b>40</b> 4000°K		
			<b>GT</b> Granite	<b>GG</b> Glossy Gray	<b>OF</b> Olde Finish	<b>AMB</b> 595 nm		
			<b>W</b> White	<b>R</b> Rust				
				<b>HG</b> Hunter Green				
				<b>WB</b> Weathered Bronze				
				<b>WI</b> Weathered Iron				
				<b>GM</b> Graphite Metallic				

VOLTAGE	DIMMING	HOUSING	MOUNTING	ACCESSORIES	ORDERING NOTES
<b>MV</b> Multi Volt	<b>ND</b> Non Dimming <b>010</b> 0-10V <b>PCT</b> Phase Cut (TRIAC/ELV-120VAC only)	<b>CP</b> Composite	<b>FT</b> Flush Tray ***  <b>FLUSH TRAY OPTIONAL</b> No code required for standard mounting.	<b>ER-1505-1</b> (1 Extension Ring) <b>ER-1505-2</b> (2 Extension Rings) <b>ER-1505-3</b> (3 Extension Rings) <b>DF1</b> Diffuser Film	* Stainless Steel Doors only. ** Brass Doors only. *** Flush tray optional. No code required for standard mounting.  <b>Standard Mounting:</b> Door cover will sit proud of front face of Rough-in box (typically finished surface) by ⅛".



PROFESSIONAL OUTDOOR LIGHTING

www.VistaPro.com • email@vistapro.com • Fax: (888) 670-VISTA (8478)  
1625 Surveyor Avenue • Simi Valley, CA 93063 • (805) 527-0987 • (800) 766-VISTA (8478)

Vista Professional Outdoor Lighting reserves the right to modify the design and/or construction of the fixture shown without further notification.



## SPECIFICATIONS

### HOUSING:

Injection-molded fiber-reinforced polymer Rough-in box with threaded brass inserts. UV stable.

### DOOR COVER:

Option of die-cast aluminum, stamped brass or stamped stainless steel. Door cover will sit proud of front face of Rough-in box (typically finished surface) by  $\frac{5}{8}$ ". For a flush door cover appearance, the Flush Tray (FT) mounting must be used.

### LENS:

Clear, tempered, shock and heat-resistant soda-lime glass lens.

### FINISH:

Powder coat finish for Aluminum Door Cover available in Black, Architectural Bronze, Dark Bronze, Granite, White, Architectural Brick, Light Bronze, Special Bronze, Glossy Gray, Rust, Hunter Green, Weathered Bronze, Weathered Iron, Graphite Metallic, Verde, Pewter, Mocha and Olde Finish.

### REFLECTOR:

Segmented specular lighting sheet. No glare fixed optics.

### MOUNTING:

Rough-in box designed for installation in concrete, brick/block, wood frame construction (non-IC) and insulated walls (IC).

### FASTENERS/INSERTS:

All fasteners are stainless steel.

### CERTIFICATIONS | STANDARDS | COMPLIANCE:

- UL Certified for wet locations (USA & Canada) | (UL 1598)
- Ingress Protection Rating: **IP66**
- Buy American Act (**BAA**)
- Build America, Buy America Act (**BABA**)

### LED:

Integrated LED module.

- **White:** 273 Lumens delivered | 6.5 Watts
- **Amber:** 108 Lumens delivered | 4.5 Watts

### COLOR TEMPERATURE:

- **White:** 2700K, 3000K, 3500K or 4000K CCT
- **Amber:** 595 nM

### COLOR RENDERING:

80 CRI minimum [WHITE]

### BUG RATING:

- **White:** B0 – U1 – G1
- **Amber:** B0 – U1 – G0

### OPTICS/AIMING:

No-glare, sharp cut-off optics.

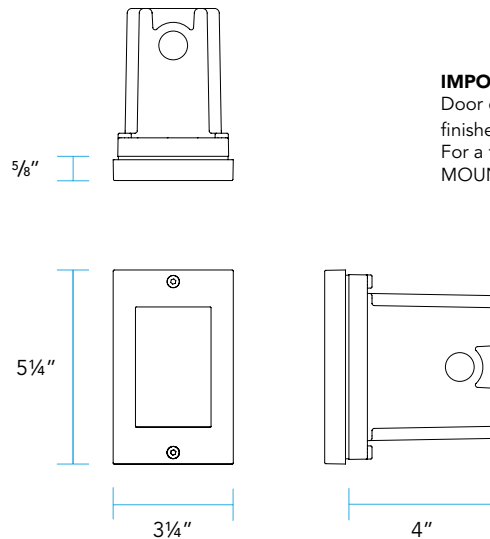
### DRIVER:

Integral cUL listed Class 2 LED driver, either non-dimmable ND or dimmable. Dimming: 0-10V and Phase Cut (TRIAC/ELV-120VAC only) options available.

### ELECTRICAL:

Universal voltage input (120- 277VAC) Suitable for through branch wiring. Four  $\frac{1}{2}$ " NPT conduit entry hubs with knockout membrane standard.

## DIMENSIONS



### IMPORTANT NOTE:

Door cover will sit proud of front face of Rough-in box (typically finished surface) by  $\frac{5}{8}$ ". For a flush Door Cover appearance, the Flush Tray (FT) MOUNTING must be used.

