



TYPE: MODEL:

PROJECT:

DESCRIPTION



- Stanchion Mount (**STM**) extends the **1045Y** Floodlight off a surface for a variety of lighting applications.
- Sign lights are suitable for wall and ground mount applications.
- This is a single head sign light. Double head sign lights are available.



STM-S

1045Y

1045Y PRODUCT FEATURES

Wattage	14 – 26 W
Voltage	120 – 277 VAC
Lumens	1100 – 2400 Delivered Lumens
Distribution	17° (VNS), 18° (NS), 30° (MF), 50° (WF)
CCT	2700K, 3000K, 3500K, 4000K, 5000K
CRI	80 CRI min.
Dimming	0-10V or Phase Cut (TRIAC/ELV-120VAC only) available
Driver	Multi-Volt 120-277VAC with tri-modal dimming capabilities
Dimensions	4½" DIA x 9" D

STM-S PRODUCT FEATURES

Material	Aluminum
Fixture Mounting	½" NPT Hub Opening
Base Mounting	J-Bolt Anchor Assembly
Dimensions	4¼" W x [8" 12" 18" 24"] H



STM-S





1045Y ORDERING INFORMATION

EXAMPLE: 1045Y-GM-MF-27-A-MV-PCT-FS-5

MODEL	FINISH	DIST	TEMP	LUMENS	VOLTAGE	DIMMING	ACC	ACC
1045Y					MV			5

MODEL	FINISH	DISTRIBUTION	COLOR TEMPERATURE
1045Y	B Black	LZ Light Bronze	WI Weathered Iron
	Z Architectural Bronze	SB Special Bronze	GM Graphite Metallic
	DZ Dark Bronze	GG Glossy Gray	G Verde
	GT Granite	R Rust	P Pewter
	W White	HG Hunter Green	M Mocha
	BR Architectural Brick	WB Weathered Bronze	OF Olde Finish
			VNS Very Narrow Spot *
		NS Narrow Spot	30 3000K
		MF Medium Flood	35 3500K
		WF Wide Flood	40 4000K
			50 5000K

DELIVERED LUMENS	VOLTAGE	DIMMING	ACCESSORIES	ORDERING NOTES
A 1100-1500 Lumens	MV Multi Volt (120-277VAC)	ND Non Dimming	BD Barn Doors	* 1045Y-VNS is only available in A, B Delivered Lumen Packages
B 1500-1900 Lumens		010 0-10V	FS Full Light Shield	
C 1900-2400 Lumens		PCT Phase Cut (TRIAC/ELV-120VAC only)	HS Half Light Shield	** Not available with VNS distribution
			CS Cast Shield	If fixture is to be used in conjunction with Extended Arm Mount (EAM): Must specify with extended wire length
			HL Honeycomb Louver **	
			5 5 Foot Wire Lead (required for use with EAM)	

STM-S ORDERING INFORMATION

EXAMPLE: STM-B-24-S

MODEL	FINISH	LENGTH	CONFIGURATION
STM			S

MODEL	FINISH	LENGTH	CONFIGURATION
STM	B Black	R Rust	5 Single
	Z Architectural Bronze	HG Hunter Green	
	DZ Dark Bronze	WB Weathered Bronze	
	GT Granite	WI Weathered Iron	
	W White	GM Graphite Metallic	
	BR Architectural Brick	G Verde	
	LZ Light Bronze	P Pewter	
	SB Special Bronze	M Mocha	
	GG Glossy Gray	OF Olde Finish	
		12 12 Inches	
		18 18 Inches	
		24 24 Inches	
		CST Custom Length	





1045Y SPECIFICATIONS

HOUSING:

Die-cast A360 aluminum. Optic and driver compartment environmentally sealed. Housing aiming achieved via an aluminum yoke strap and stainless fasteners beneath removable decorative yoke caps. Housing can swing completely through yoke strap.

DOOR:

Die-cast A360 aluminum. Stainless steel fasteners. Door is designed to shed water from the lens surface.

FINISH:

Powder coat finish available in Black, Architectural Bronze, Dark Bronze, Granite, White, Architectural Brick, Light Bronze, Special Bronze, Glossy Gray, Rust, Hunter Green, Weathered Bronze, Weathered Iron, Graphite Metallic, Verde, Pewter, Mocha and Olde Finish. Custom Powder coat finishes available on request.

LENS:

4.0mm thick tempered and beveled clear glass.

REFLECTOR:

Precision molded metalized optics combined with glare controlling filters. Very Narrow Spot optic incorporates an additional internal source shield to eliminate unwanted glare outside the beam pattern.

ACCESSORIES:

Barn Doors **BD**, Full Shield **FS**, Half Shield **HS** and Cast Shield **CS** available.

WIRING:

- 18/3 SEOWW outdoor rated waterproof cable
[for Non-dimmable and Phase Cut (TRIAC/ELV-120VAC only) options]
- 18/5 SJTOW outdoor rated waterproof cable
[for 0-10V dimming option]

Cable exits fixture housing through a liquid tight cable fitting.

MOUNTING:

Yoke provided with ½ NPSM stainless Cord Seal Mount to secure the yoke strap directly into a ½-14 threaded opening. See the Vista website for additional Mounts and Accessories.

LED:

Discreet performance LEDs binned to three MacAdam ellipses. 1100 – 2400 Lumens delivered. 14 – 26 Watts.

COLOR TEMPERATURE:

2700K, 3000K, 3500K, 4000K or 5000K CCT White.

COLOR RENDERING:

80 CRI minimum

DRIVER:

Multi-Volt **MV** 120V-277V equipped with tri-modal dimming capabilities. Start up/Operating Temperature: -10°C to +50°C. Non-dimmable, 0-10V and Phase Cut (TRIAC/ELV-120VAC only) options available.

LIGHT DISTRIBUTION:

Very Narrow Spot **VNS** (17°) | NEMA 3x3
Narrow Spot **NS** (18°) | NEMA 3x3
Medium Flood **MF** (30°) | NEMA 4x4
Wide Flood **WF** (50°) | NEMA 5x5

CERTIFICATIONS | STANDARDS | COMPLIANCE:

- UL Certified for wet locations (USA & Canada) | (UL)
- Ingress Protection Rating: **IP66**
- Buy American Act (**BAA**)
- Build America, Buy America Act (**BABA**)

STM-S SPECIFICATIONS

DESCRIPTION:

Stanchion Mount is designed for in-grade, wall-mount, and a variety of lighting applications. It can be ordered in 8", 12", 18" and 24" standard lengths. Custom lengths are available.

CONSTRUCTION:

Heavy wall extruded, die-cast and machined aluminum parts.

FINISH:

Powder coat finish available in Black, Architectural Bronze, Dark Bronze, Granite, White, Architectural Brick, Light Bronze, Special Bronze, Glossy Gray, Rust, Hunter Green, Weathered Bronze, Weathered Iron, Graphite Metallic, Verde, Pewter, Mocha and Olde Finish. Custom Powder coat finishes available on request.

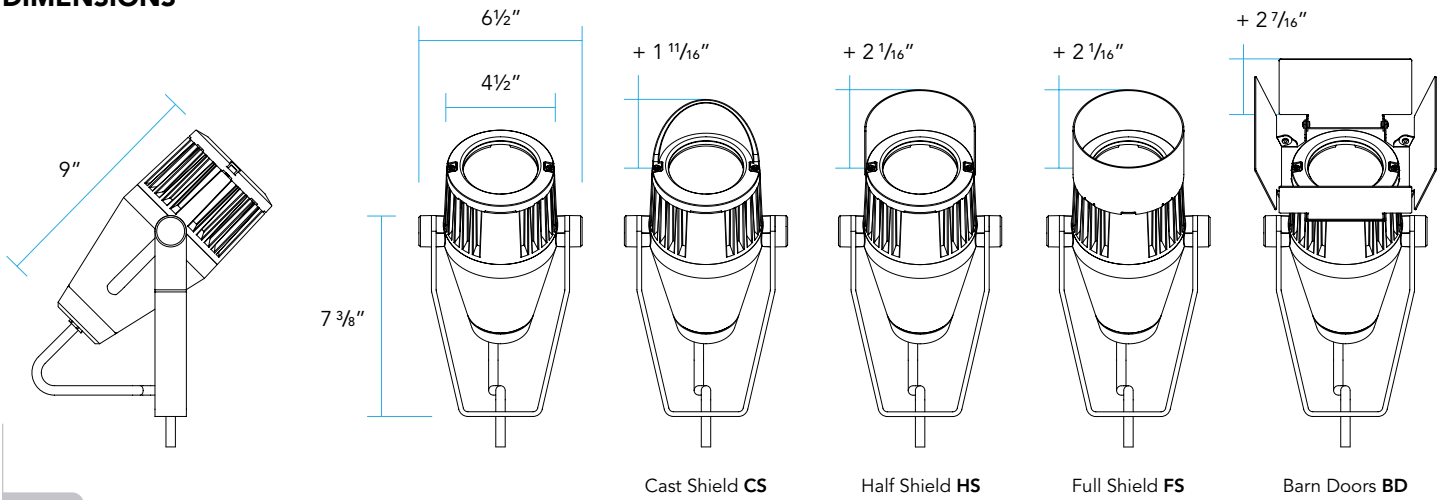
MOUNTING:

Mounted over J-Bolt Anchor Assembly (recessed in concrete).

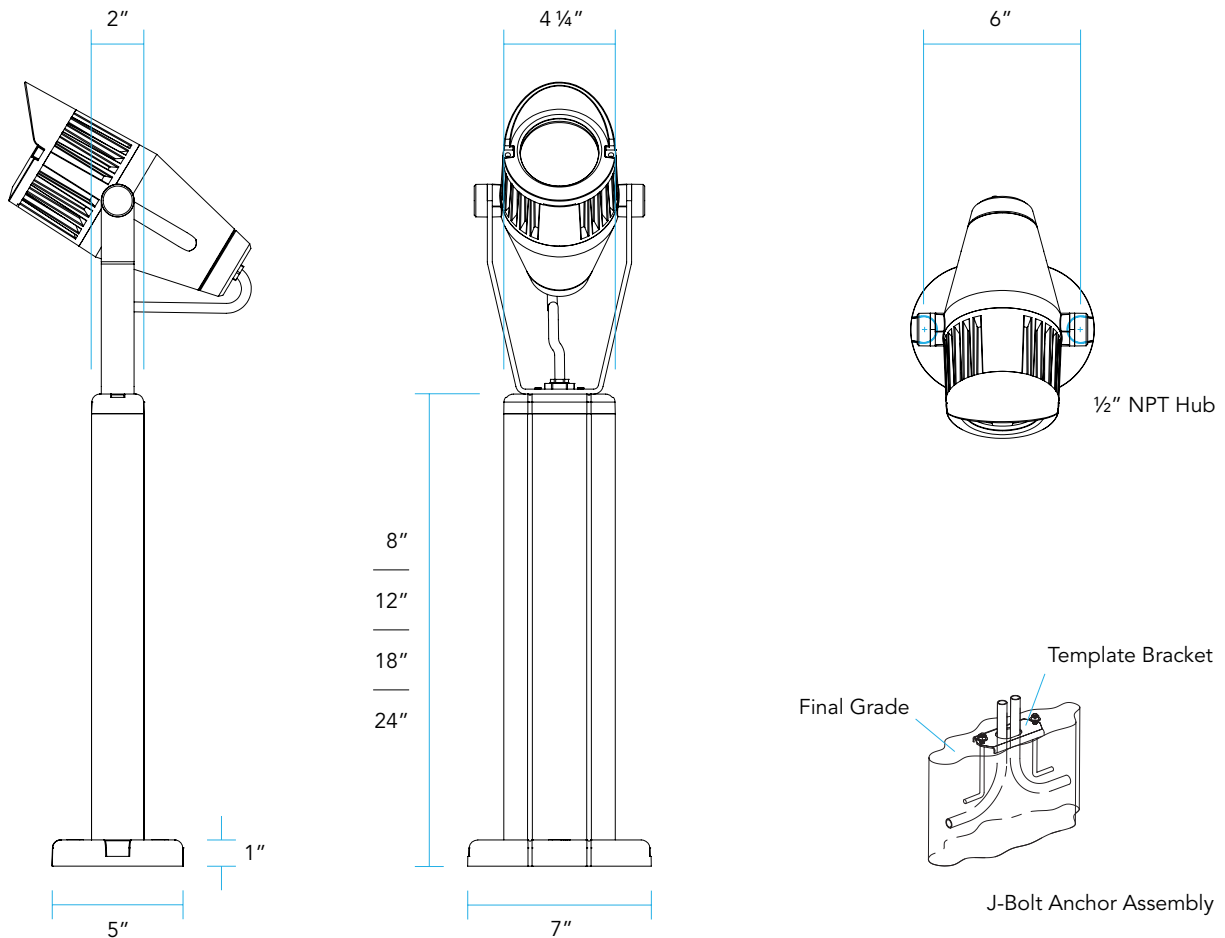




DIMENSIONS



1045Y



STM-S





DELIVERED LUMENS

BEAM SPREAD	A	B	C
Very Narrow Spot VNS	21 Watts 1141 Lumens	26 Watts 1409 Lumens	
Narrow Spot NS	14 Watts 1302 Lumens	21 Watts 1883 Lumens	26 Watts 2325 Lumens
Medium Flood MF	14 Watts 1249 Lumens	21 Watts 1807 Lumens	26 Watts 2230 Lumens
Wide Flood WF	14 Watts 1163 Lumens	21 Watts 1682 Lumens	26 Watts 2077 Lumens

