



TYPE: MODEL:
PROJECT:

DESCRIPTION



- Stanchion Mount (**STM**) extends the **1043Y** Floodlight off a surface for a variety of lighting applications.
- Sign lights are suitable for wall and ground mount applications.
- This is a single head sign light. Double head sign lights are available.



STM-S



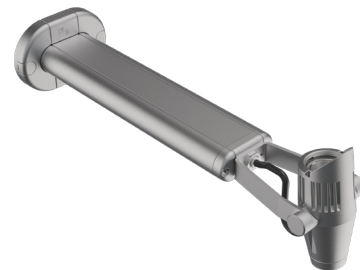
1043Y

1043Y PRODUCT FEATURES

| | |
|--------------|-----------------------------------------------------------|
| Wattage | 5 – 20 W |
| Voltage | 120 – 277 VAC |
| Lumens | 135 – 1212 Delivered Lumens |
| Distribution | 16° (VNS), 19° (NS), 30° (MF), 45° (WF) |
| CCT | 2700K, 3000K, 3500K, 4000K, 5000K |
| CRI | 80 CRI min. |
| Dimming | 0-10V or Phase Cut (TRIAC/ELV-120VAC only) available |
| Driver | Multi-Volt 120-277VAC with tri-modal dimming capabilities |
| Dimensions | 3" DIA x 6 3/8" D |

STM-S PRODUCT FEATURES

| | |
|------------------|---------------------------------------|
| Material | Aluminum |
| Fixture Mounting | 1/2" NPT Hub Opening |
| Base Mounting | J-Bolt Anchor Assembly |
| Dimensions | 4 1/4" W x [8" 12" 18" 24"] H |



STM-S





1043Y ORDERING INFORMATION

EXAMPLE: 1043Y-GM-MF-27-A-MV-PCT-FS-5

| MODEL | FINISH | DIST | TEMP | LUMENS | VOLTAGE | DIMMING | ACC | ACC |
|-------|--------|------|------|--------|---------|---------|-----|-----|
| 1043Y | | | | | MV | | | 5 |

| MODEL | FINISH | DISTRIBUTION | COLOR TEMPERATURE |
|-------|-------------------------------|----------------------------|-------------------------------|
| 1043Y | B Black | LZ Light Bronze | WI Weathered Iron |
| | Z Architectural Bronze | SB Special Bronze | GM Graphite Metallic |
| | DZ Dark Bronze | GG Glossy Gray | G Verde |
| | GT Granite | R Rust | P Pewter |
| | W White | HG Hunter Green | M Mocha |
| | BR Architectural Brick | WB Weathered Bronze | OF Olde Finish |
| | | | VNS Very Narrow Spot * |
| | | NS Narrow Spot ** | 30 3000K |
| | | MF Medium Flood ** | 35 3500K |
| | | WF Wide Flood ** | 40 4000K |
| | | | 50 5000K |

| DELIVERED LUMENS | VOLTAGE | DIMMING | ACCESSORIES | ORDERING NOTES | |
|---------------------------|-----------------------------------|----------------------------------------------------------------|--------------------------------|---------------------------------------------------------------------------------------------------------------------------|-------------------------------------------------------------------------------------|
| A 0-200 Lumens | MV Multi Volt (120-277VAC) | ND Non Dimming | BD Barn Doors | * 1043Y-VNS is only available in A, B Delivered Lumen Packages | |
| B 200-400 Lumens | | 010 0-10V | FS Full Light Shield | | ** 1043Y-NS, MF, WF only available in B, C, D, E, F Delivered Lumen Packages |
| C 400-600 Lumens | | PCT Phase Cut <small>(TRIAC/ELV-120VAC only)</small> | HS Half Light Shield | | |
| D 600-750 Lumens | | | CS Cast Shield | If fixture is to be used in conjunction with Extended Arm Mount (STM): Must specify with extended wire length | |
| E 750-1050 Lumens | | | HL Honeycomb Louver *** | | |
| F 1050-1250 Lumens | | | | 5 5 Foot Wire Lead <small>(required for use with STM)</small> | |

STM-S ORDERING INFORMATION

EXAMPLE: STM-B-24-S

| MODEL | FINISH | LENGTH | CONFIGURATION |
|-------|--------|--------|---------------|
| STM | | | S |

| MODEL | FINISH | LENGTH | CONFIGURATION |
|-------|-------------------------------|-----------------------------|-----------------|
| STM | B Black | R Rust | S Single |
| | Z Architectural Bronze | HG Hunter Green | |
| | DZ Dark Bronze | WB Weathered Bronze | |
| | GT Granite | WI Weathered Iron | |
| | W White | GM Graphite Metallic | |
| | BR Architectural Brick | G Verde | |
| | LZ Light Bronze | P Pewter | |
| | SB Special Bronze | M Mocha | |
| | GG Glossy Gray | OF Olde Finish | |
| | | | |
| | | 12 12 Inches | |
| | | 18 18 Inches | |
| | | 24 24 Inches | |
| | | CST Custom Length | |





1043Y SPECIFICATIONS

HOUSING:

Die-cast A360 aluminum. Optic and driver compartment environmentally sealed. Housing aiming achieved via an aluminum yoke strap and stainless fasteners beneath removable decorative yoke caps. Housing can swing completely through yoke strap.

DOOR:

Die-cast A360 aluminum. Stainless steel fasteners. Door is designed to shed water from the lens surface.

FINISH:

Powder coat finish available in Black, Architectural Bronze, Dark Bronze, Granite, White, Architectural Brick, Light Bronze, Special Bronze, Glossy Gray, Rust, Hunter Green, Weathered Bronze, Weathered Iron, Graphite Metallic, Verde, Pewter, Mocha and Olde Finish. Custom Powder coat finishes available on request.

LENS:

2.7mm thick tempered and beveled clear glass.

REFLECTOR:

Precision molded metalized optics combined with glare controlling filters. Very Narrow Spot optic incorporates an additional internal source shield to eliminate unwanted glare outside the beam pattern.

ACCESSORIES:

Barn Doors **BD**, Full Shield **FS**, Half Shield **HS** and Cast Shield **CS** available.

WIRING:

- 18/3 SEOOW outdoor rated waterproof cable
[for Non-dimmable and Phase Cut (TRIAC/ELV-120VAC only) options]
- 18/5 SJTOW outdoor rated waterproof cable
[for 0-10V dimming option]

Cable exits fixture housing through a liquid tight cable fitting.

MOUNTING:

Yoke provided with ½ NPSM stainless Cord Seal Mount to secure the yoke strap directly into a ½-14 threaded opening. See the Vista website for additional Mounts and Accessories.

LED:

Discreet performance LEDs binned to three MacAdam ellipses. 135 – 1212 Lumens delivered. 5 – 20 Watts.

COLOR TEMPERATURE:

2700K, 3000K, 3500K, 4000K or 5000K CCT White.

COLOR RENDERING:

80 CRI minimum

DRIVER:

Multi-Volt **MV** 120V-277V equipped with tri-modal dimming capabilities. Start up/Operating Temperature: -10°C to +50°C. Non-dimmable, 0-10V and Phase Cut (TRIAC/ELV-120VAC only) options available.

LIGHT DISTRIBUTION:

Very Narrow Spot **VNS** (16°) | NEMA 3x3
Narrow Spot **NS** (19°) | NEMA 3x3
Medium Flood **MF** (30°) | NEMA 4x4
Wide Flood **WF** (45°) | NEMA 5x5

CERTIFICATIONS | STANDARDS | COMPLIANCE:

- UL Certified for wet locations (USA & Canada) | (UL)
- Ingress Protection Rating: **IP66**
- Buy American Act (**BAA**)
- Build America, Buy America Act (**BABA**)

STM-S SPECIFICATIONS

DESCRIPTION:

Stanchion Mount is designed for in-grade, wall-mount, and a variety of lighting applications. It can be ordered in 8", 12", 18" and 24" standard lengths. Custom lengths are available.

CONSTRUCTION:

Heavy wall extruded, die-cast and machined aluminum parts.

FINISH:

Powder coat finish available in Black, Architectural Bronze, Dark Bronze, Granite, White, Architectural Brick, Light Bronze, Special Bronze, Glossy Gray, Rust, Hunter Green, Weathered Bronze, Weathered Iron, Graphite Metallic, Verde, Pewter, Mocha and Olde Finish. Custom Powder coat finishes available on request.

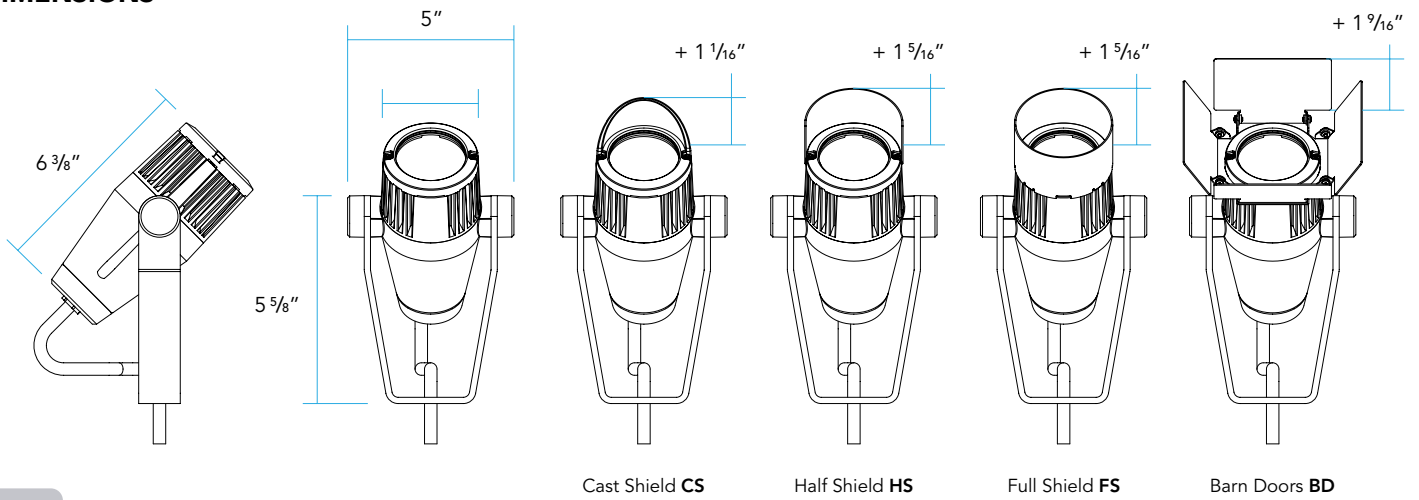
MOUNTING:

Mounted over J-Bolt Anchor Assembly (recessed in concrete).

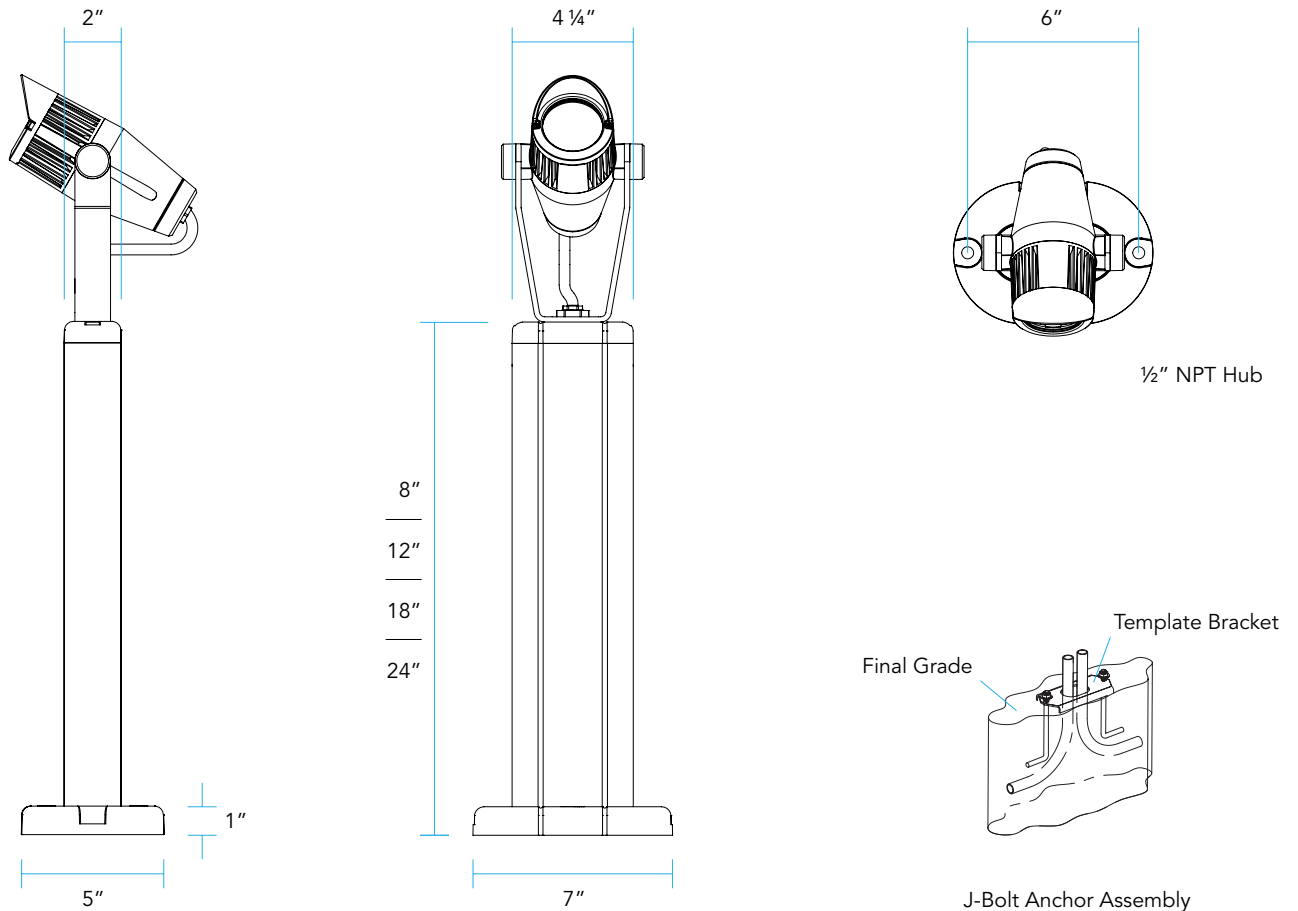




DIMENSIONS



1043Y



STM-S





DELIVERED LUMENS

| BEAM SPREAD | A | B | C | D | E | F |
|-------------------------|-----------------------|------------------------|-------------------------|------------------------|-------------------------|-------------------------|
| Very Narrow Spot VNS | 5 Watts 135 Lumens | 17 Watts 361 Lumens | | | | |
| Narrow Spot NS | | 5 Watts 364 Lumens | 7.5 Watts 566 Lumens | 10 Watts 738 Lumens | 16 Watts 1035 Lumens | 19 Watts 1212 Lumens |
| Medium Flood MF | | 5 Watts 321 Lumens | 7.5 Watts 487 Lumens | 10 Watts 711 Lumens | 16 Watts 1035 Lumens | 19 Watts 1188 Lumens |
| Wide Flood WF | | 5 Watts 332 Lumens | 7.5 Watts 542 Lumens | 10 Watts 687 Lumens | 16 Watts 957 Lumens | 19 Watts 1052 Lumens |

