



TYPE: MODEL:

PROJECT:

DESCRIPTION



- Stanchion Mount (**STM**) extends the **1051YM** Floodlight off a surface for a variety of lighting applications.
- Sign lights are suitable for wall and ground mount applications.
- This is a single head sign light. Double head sign lights are available.



1051YM



STM-S

1051YM PRODUCT FEATURES

| | |
|--------------|---|
| Wattage | 13 or 19 W |
| Voltage | 120 – 277 VAC (208 VAC excluded) |
| Lumens | 875-2103 Delivered Lumens |
| Distribution | NEMA type [H x V]: 7x7(WW), 7x4(WG), 7x5(NS), 7x5(MF), 7x7(WF), 7x5(AS) |
| CCT | 2700K, 3000K, 3500K, 4000K, 5000K |
| CRI | 80 CRI min. |
| Dimming | 0-10V or Phase Cut (TRIAC/ELV-120 VAC only) available |
| Driver | Multi-Volt with tri-modal dimming capabilities |
| Dimensions | 13 ¹ / ₂ " W x 8 ¹ / ₂ " H x 3" D |

STM-S PRODUCT FEATURES

| | |
|------------------|---------------------------------------|
| Material | Aluminum |
| Fixture Mounting | 1/2" NPT Hub Opening |
| Base Mounting | J-Bolt Anchor Assembly |
| Dimensions | 4 1/4" W x [8" 12" 18" 24"] H |



STM-S





1051YM ORDERING INFORMATION

EXAMPLE: 1051YM-B-MF-27-A-MV-PCT-GS

| MODEL | FINISH | DIST | TEMP | LUMENS | VOLTAGE | DIMMING | ACC | ACC |
|--------|--------|------|------|--------|---------|---------|-----|-----|
| 1051YM | | | | | MV | | | 5 |

| MODEL | FINISH | DISTRIBUTION | COLOR TEMPERATURE |
|--------|-------------------------------|----------------------------|-----------------------------|
| 1051YM | B Black | LZ Light Bronze | WI Weathered Iron |
| | Z Architectural Bronze | SB Special Bronze | GM Graphite Metallic |
| | DZ Dark Bronze | GG Glossy Gray | G Verde |
| | GT Granite | R Rust | P Pewter |
| | W White | HG Hunter Green | M Mocha |
| | BR Architectural Brick | WB Weathered Bronze | OF Olde Finish |
| | | | WW Wall Wash |
| | | | WG Wall Grazer |
| | | NS Narrow | |
| | | MF Medium Flood | |
| | | WF Wide Flood | |
| | | AS Asymmetric | |
| | | 27 2700K | |
| | | 30 3000K | |
| | | 35 3500K | |
| | | 40 4000K | |
| | | 50 5000K | |

| DELIVERED LUMENS | VOLTAGE | DIMMING | ACCESSORIES | ORDERING NOTES |
|----------------------|---|---|--|--|
| A 1000 (min.) | MV Multi-Volt [120 – 277 VAC] (208 VAC excluded) | ND Non Dimming | GS Internal Glare Shield | If fixture is to be used in conjunction with Extended Arm Mount (STM): Must specify with extended wire length |
| B 1600 (min.) | | 010 0-10V | VR Polycarbonate Lens | |
| | | PCT Phase Cut (TRIAC/ELV-120VAC only) | 5 5 Foot Wire Lead (required for use with STM) | |

STM-S ORDERING INFORMATION

EXAMPLE: STM-B-24-S

| MODEL | FINISH | LENGTH | CONFIGURATION |
|-------|--------|--------|---------------|
| STM | | | S |

| MODEL | FINISH | LENGTH | CONFIGURATION |
|-------|-------------------------------|-----------------------------|-------------------|
| STM | B Black | R Rust | 8 8 Inches |
| | Z Architectural Bronze | HG Hunter Green | |
| | DZ Dark Bronze | WB Weathered Bronze | |
| | GT Granite | WI Weathered Iron | |
| | W White | GM Graphite Metallic | |
| | BR Architectural Brick | G Verde | |
| | LZ Light Bronze | P Pewter | |
| | SB Special Bronze | M Mocha | |
| | GG Glossy Gray | OF Olde Finish | |
| | | | |
| | | 18 18 Inches | |
| | | 24 24 Inches | |
| | | CST Custom Length | |
| | | 5 Single | |





1051YM SPECIFICATIONS

HOUSING:

Extruded aluminum body with die-cast aluminum end caps and mountings. Optic and driver compartment environmentally sealed. Mounted on ¼" aluminum yoke.

FINISH:

Powder coat finish available in Black, Architectural Bronze, Dark Bronze, Granite, White, Architectural Brick, Light Bronze, Special Bronze, Glossy Gray, Rust, Hunter Green, Weathered Bronze, Weathered Iron, Graphite Metallic, Verde, Pewter, Mocha and Olde Finish. Custom Powder coat finishes available on request.

REFLECTOR:

Specular or semi-specular extruded aluminum optics anodized and bright dipped for maximum reflectivity.

LENS:

4mm (.164") thick tempered and beveled clear glass. Permanently affixed and sealed to the optics housing with RTV silicon. Masked frit opening (black only) available.

ACCESSORIES:

Internal Glare Shield **GS**.
Polycarbonate Lens **VR**.

WIRING:

- 18/3 SEOOO outdoor rated waterproof cable
[for Non-dimmable and Phase Cut (TRIAC/ELV-120VAC only) options]
- 18/5 SJTOW outdoor rated waterproof cable
[for 0-10V dimming option]

MOUNTING:

Extruded aluminum Yoke Mount, affixed with stainless steel hardware. Yoke Mount is adjustable for precise aiming.

LED:

Mid-power linear LED driven at 1000mA or 1400mA.
1000+ or 1600+ Lumens delivered (1000+ or 1600+ per lineal foot).
13 or 19 Watts (13W or 19W per lineal foot).

COLOR TEMPERATURE:

2700K, 3000K, 3500K, 4000K or 5000K CCT White.

COLOR RENDERING:

80 CRI minimum

OPTICS/AIMING:

NEMA defined floodlight optics with wide lateral throws – extruded aluminum.

DRIVER:

Multi-Volt **MV** 120 – 277 VAC (208 VAC excluded)
Equipped with tri-modal dimming capabilities.
Start up/Operating Temperature: -10°C to +50°C.
Non-dimmable, 0-10V and Phase Cut (TRIAC/ELV-120VAC only) options available.

LIGHT DISTRIBUTION:

Wall Wash (NEMA 7HX 7V), Wall Grazer (NEMA 7HX 4V),
Narrow (NEMA 7HX 5V), Medium Flood (NEMA 7HX 5V),
Wide Flood (NEMA 7HX 7V), Asymmetric (NEMA 7HX 5V)
distributions available.

CERTIFICATIONS | STANDARDS | COMPLIANCE:

- UL Certified for wet locations (USA & Canada) | (UL)
- Ingress Protection Rating: **IP66**
- Buy American Act (**BAA**)
- Build America, Buy America Act (**BABA**)

STM-S SPECIFICATIONS

DESCRIPTION:

Stanchion Mount is designed for in-grade, wall-mount, and a variety of lighting applications. It can be ordered in 8", 12", 18" and 24" standard lengths. Custom lengths are available.

CONSTRUCTION:

Heavy wall extruded, die-cast and machined aluminum parts.

FINISH:

Powder coat finish available in Black, Architectural Bronze, Dark Bronze, Granite, White, Architectural Brick, Light Bronze, Special Bronze, Glossy Gray, Rust, Hunter Green, Weathered Bronze, Weathered Iron, Graphite Metallic, Verde, Pewter, Mocha and Olde Finish. Custom Powder coat finishes available on request.

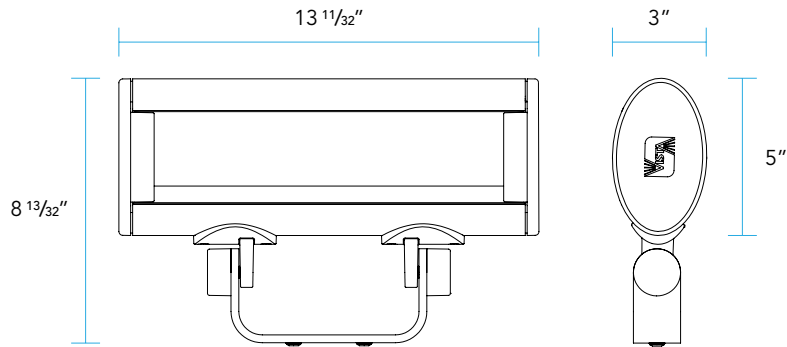
MOUNTING:

Mounted over J-Bolt Anchor Assembly (recessed in concrete).

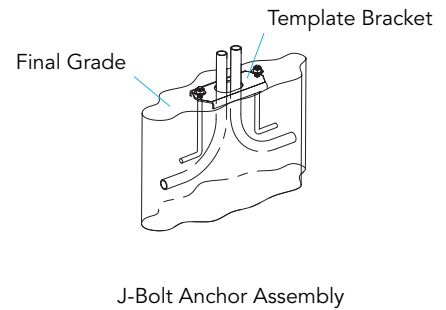
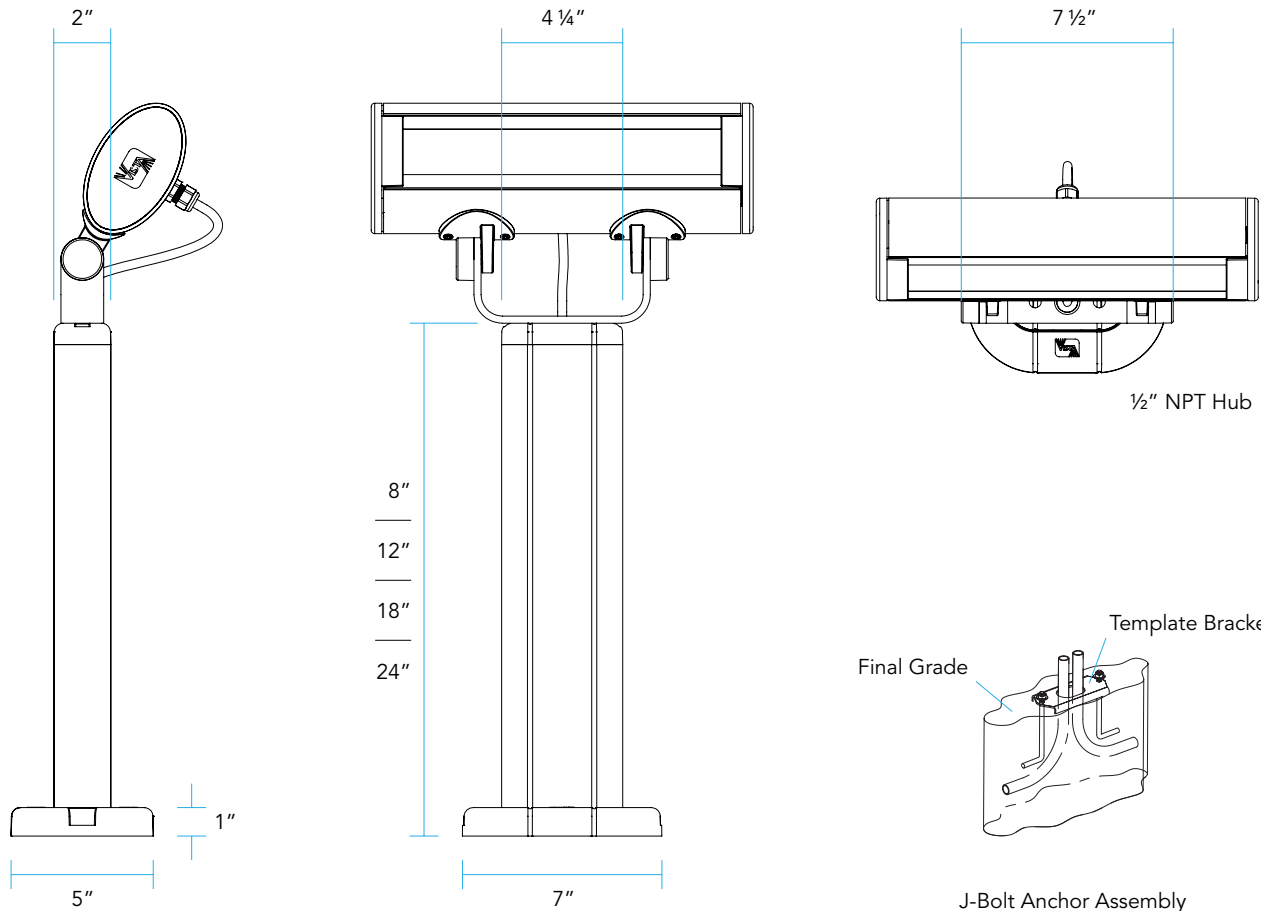




DIMENSIONS



1051YM



STM-S





DELIVERED LUMENS

| BEAM SPREAD | A | B |
|--------------------|---------------------------|-------------------------|
| Wall Wash WW | 13.4 Watts 1132 Lumens | 19 Watts 1686 Lumens |
| Wall Grazer WG | 13.4 Watts 1286 Lumens | 19 Watts 2103 Lumens |
| Narrow Spot NS | 13.4 Watts 875 Lumens | 19 Watts 1201 Lumens |
| Medium Flood MF | 13.4 Watts 1332 Lumens | 19 Watts 2029 Lumens |
| Wide Flood WF | 13.4 Watts 1054 Lumens | 19 Watts 1604 Lumens |
| Asymmetric AS | 13.5 Watts 1314 Lumens | 19 Watts 1866 Lumens |

