



**MODEL 1092** | Specification Sheet  
Commercial Series • Floodlight

TYPE:  MODEL:

PROJECT:

**PRODUCT FEATURES**



Wattage 75 W maximum

Voltage 120 VAC

Lamp Type PAR30 compatible  
*(lamp not included)*

Dimensions 5½" DIA x [ 7" | 9¾" | 12¾" ] D

**ORDERING INFORMATION**

EXAMPLE: 1092-B-CX-N-120-HL

**MODEL** 1092      **FINISH**      **LENS**      **SHROUD**      **INPUT VOLTAGE** 120      **ACCESSORIES**

MODEL	FINISH	LENS	SHROUD	INPUT VOLTAGE	ACCESSORIES
1092	<b>B</b> Black	<b>CX</b> Crowned Clear Lens <b>CBL</b> Crowned Cool Blue Lens <b>CFR</b> Crowned Frosted Lens	<b>N</b> No shroud <b>M</b> Medium Shroud <b>L</b> Long Shroud	120 120 VAC	<b>HL</b> Honeycomb Louver
	<b>Z</b> Architectural Bronze				
	<b>DZ</b> Dark Bronze				
	<b>GT</b> Granite				
	<b>W</b> White				
	<b>BR</b> Architectural Brick				
	<b>LZ</b> Light Bronze				
	<b>SB</b> Special Bronze				
	<b>GG</b> Glossy Gray				
	<b>R</b> Rust				
	<b>HG</b> Hunter Green				
	<b>WB</b> Weathered Bronze				
	<b>WI</b> Weathered Iron				
	<b>GM</b> Graphite Metallic				
	<b>G</b> Verde	<b>ORDERING NOTES</b> Fixture shipped with no lamp			
	<b>P</b> Pewter				
	<b>M</b> Mocha				
<b>OF</b> Olde Finish					



**PROFESSIONAL**  
OUTDOOR LIGHTING

www.VistaPro.com • email@vistapro.com • Fax: (888) 670-VISTA (8478)  
1625 Surveyor Avenue • Simi Valley, CA 93063 • (805) 527-0987 • (800) 766-VISTA (8478)

Vista Professional Outdoor Lighting reserves the right to modify the design and/or construction of the fixture shown without further notification.



## SPECIFICATIONS

**LAMP TYPE:**

PAR30 compatible. Lamp not included.

**HOUSING:**

Die-cast A360 aluminum. Housing aimable utilizing Vista's patented Infinity Knuckle.

**SHROUD:**

Die-cast A360 aluminum fitted to the housing with a molded gasket.

**FINISH:**

Powder coat finish available in Black, Architectural Bronze, Dark Bronze, Granite, White, Architectural Brick, Light Bronze, Special Bronze, Glossy Gray, Rust, Hunter Green, Weathered Bronze, Weathered Iron, Graphite Metallic, Verde, Pewter, Mocha and Olde Finish. Custom Powder coat finishes available on request.

**LAMP HOLDER:**

Porcelain medium base 4KV pulse rated socket with spring center contact and silicone rubber jacket protector.

**LENS:**

Clear, tempered, shock & heat resistant, soda-lime glass lens - crowned (convex) to promote water runoff. Optical effect lenses are available.

**WIRING:**

Prewired with 150° C-rated wire.

**MOUNTING:**

Infinity Knuckle – Die-cast, copper-free aluminum, stainless steel stem with 1/2" NPT thread. A fully sealed spherical grommet allows for precise aiming and retention.

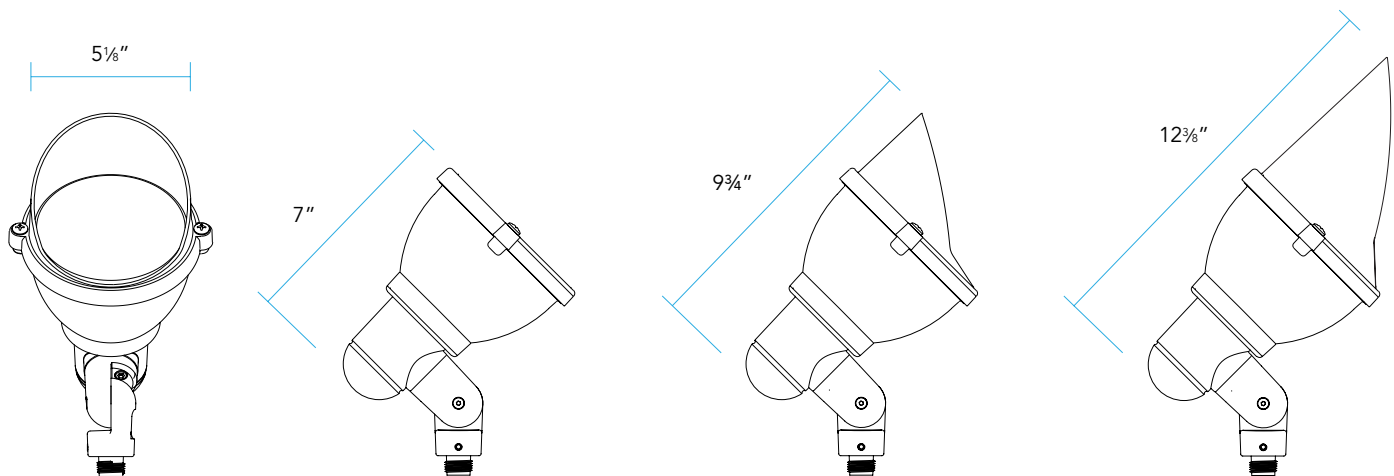
**FASTENERS/INSERTS:**

All fasteners are stainless steel.

**CERTIFICATIONS | STANDARDS | COMPLIANCE:**

- UL Certified for wet locations (USA & Canada) | (UL 1598)
- The maximum wattages allowed by Underwriters Laboratories (UL) for the U.S. & Canadian markets may vary. Maximum wattages specified are the U.S. standard. Please contact Vista for any questions about the maximum wattages allowed by UL Canadian standards.
- Ingress Protection Rating: **IP65**
- Buy American Act (**BAA**)
- Build America, Buy America Act (**BABA**)

## DIMENSIONS



No Shroud **N**

Medium Shroud **M**

Long Shroud **L**

