



TYPE:  MODEL:

PROJECT:

**DESCRIPTION**



- Stanchion Mount (**STM**) extends the **1045** Floodlight off a surface for a variety of lighting applications.
- Sign lights are suitable for wall and ground mount applications.
- This is a single head sign light. Double head sign lights are available.



**1045**

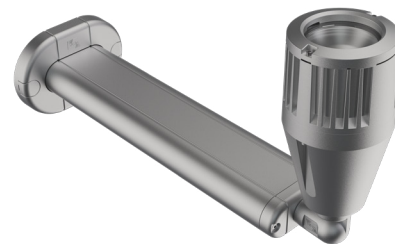
**STM-S**

**1045 PRODUCT FEATURES**

Wattage	14 – 26 W
Voltage	120 – 277 VAC
Lumens	1100 – 2400 Delivered Lumens
Distribution	17° (VNS), 18° (NS), 30° (MF), 50° (WF)
CCT	2700K, 3000K, 3500K, 4000K, 5000K
CRI	80 CRI min.
Dimming	0-10V or Phase Cut (TRIAC/ELV-120VAC only) available
Driver	Multi-Volt 120-277VAC with tri-modal dimming capabilities
Dimensions	4½" DIA x 10½" D

**STM-S PRODUCT FEATURES**

Material	Aluminum
Fixture Mounting	½" NPT Hub Opening
Base Mounting	J-Bolt Anchor Assembly
Dimensions	4¼" W x [ 8"   12"   18"   24" ] H



**STM-S**





**1045 ORDERING INFORMATION**

EXAMPLE: 1045-GM-MF-27-A-MV-PCT-FS-5

MODEL	FINISH	DIST	TEMP	LUMENS	VOLTAGE	DIMMING	ACC	ACC
1045					MV			5

MODEL	FINISH	DISTRIBUTION	COLOR TEMPERATURE
1045	<b>B</b> Black	<b>LZ</b> Light Bronze	<b>WI</b> Weathered Iron
	<b>Z</b> Architectural Bronze	<b>SB</b> Special Bronze	<b>GM</b> Graphite Metallic
	<b>DZ</b> Dark Bronze	<b>GG</b> Glossy Gray	<b>G</b> Verde
	<b>GT</b> Granite	<b>R</b> Rust	<b>P</b> Pewter
	<b>W</b> White	<b>HG</b> Hunter Green	<b>M</b> Mocha
	<b>BR</b> Architectural Brick	<b>WB</b> Weathered Bronze	<b>OF</b> Olde Finish
			<b>VNS</b> Very Narrow Spot *
		<b>NS</b> Narrow Spot	<b>30</b> 3000K
		<b>MF</b> Medium Flood	<b>35</b> 3500K
		<b>WF</b> Wide Flood	<b>40</b> 4000K
			<b>50</b> 5000K

DELIVERED LUMENS	VOLTAGE	DIMMING	ACCESSORIES	ORDERING NOTES
<b>A</b> 1100-1500 Lumens	<b>MV</b> Multi Volt (120-277VAC)	<b>ND</b> Non Dimming	<b>BD</b> Barn Doors	* 1045-VNS is only available in <b>A, B</b> Delivered Lumen Packages
<b>B</b> 1500-1900 Lumens		<b>010</b> 0-10V	<b>FS</b> Full Light Shield	
<b>C</b> 1900-2400 Lumens		<b>PCT</b> Phase Cut (TRIAC/ELV-120VAC only)	<b>HS</b> Half Light Shield	<b>CS</b> Cast Shield
		<b>HL</b> Honeycomb Louver **	<b>5</b> 5 Foot Wire Lead (required for use with EAM)	

**STM-S ORDERING INFORMATION**

EXAMPLE: STM-B-24-S

MODEL	FINISH	LENGTH	CONFIGURATION
STM			S

MODEL	FINISH	LENGTH	CONFIGURATION
STM	<b>B</b> Black	<b>R</b> Rust	<b>8</b> 8 Inches
	<b>Z</b> Architectural Bronze	<b>HG</b> Hunter Green	
	<b>DZ</b> Dark Bronze	<b>WB</b> Weathered Bronze	
	<b>GT</b> Granite	<b>WI</b> Weathered Iron	
	<b>W</b> White	<b>GM</b> Graphite Metallic	
	<b>BR</b> Architectural Brick	<b>G</b> Verde	
	<b>LZ</b> Light Bronze	<b>P</b> Pewter	
	<b>SB</b> Special Bronze	<b>M</b> Mocha	
	<b>GG</b> Glossy Gray	<b>OF</b> Olde Finish	
		<b>18</b> 18 Inches	
		<b>24</b> 24 Inches	
		<b>CST</b> Custom Length	





## 1045 SPECIFICATIONS

### HOUSING:

Die-cast A360 aluminum. Optic and driver compartment environmentally sealed. Housing aimable utilizing Vista's patented Infinity Knuckle.

### DOOR:

Die-cast A360 aluminum. Stainless steel fasteners. Door is designed to shed water from the lens surface.

### FINISH:

Powder coat finish available in Black, Architectural Bronze, Dark Bronze, Granite, White, Architectural Brick, Light Bronze, Special Bronze, Glossy Gray, Rust, Hunter Green, Weathered Bronze, Weathered Iron, Graphite Metallic, Verde, Pewter, Mocha and Olde Finish. Custom Powder coat finishes available on request.

### LENS:

4.0mm thick tempered and beveled clear glass.

### REFLECTOR:

Precision molded metalized optics combined with glare controlling filters. Very Narrow Spot optic incorporates an additional internal source shield to eliminate unwanted glare outside the beam pattern.

### ACCESSORIES:

Barn Doors **BD**, Full Shield **FS**, Half Shield **HS** and Cast Shield **CS** available.

### WIRING:

Prewired with 150° C-rated wire.

### MOUNTING:

Infinity Knuckle – Die-cast, copper-free aluminum, stainless steel stem with 1/2" NPT thread. A fully sealed spherical grommet allows for precise aiming and retention.

### CERTIFICATIONS | STANDARDS | COMPLIANCE:

- UL Certified for wet locations (USA & Canada) | (UL)
- Ingress Protection Rating: **IP66**
- Buy American Act (**BAA**)
- Build America, Buy America Act (**BABA**)

### LED:

Discreet performance LEDs binned to three MacAdam ellipses. 14 – 26 Watts.

### COLOR TEMPERATURE:

2700K, 3000K, 3500K, 4000K or 5000K CCT White.

### COLOR RENDERING:

80 CRI minimum

### DRIVER:

Multi-Volt **MV** 120V-277V equipped with tri-modal dimming capabilities. Start up/Operating Temperature: -10°C to +50°C. Non-dimmable, 0-10V and Phase Cut (TRIAC/ELV-120VAC only) options available.

### LIGHT DISTRIBUTION:

Very Narrow Spot **VNS** (17°) | NEMA 3x3  
Narrow Spot **NS** (18°) | NEMA 3x3  
Medium Flood **MF** (30°) | NEMA 4x4  
Wide Flood **WF** (50°) | NEMA 5x5

## STM-S SPECIFICATIONS

### DESCRIPTION:

Stanchion Mount is designed for in-grade, wall-mount, and a variety of lighting applications. It can be ordered in 8", 12", 18" and 24" standard lengths. Custom lengths are available.

### CONSTRUCTION:

Heavy wall extruded, die-cast and machined aluminum parts.

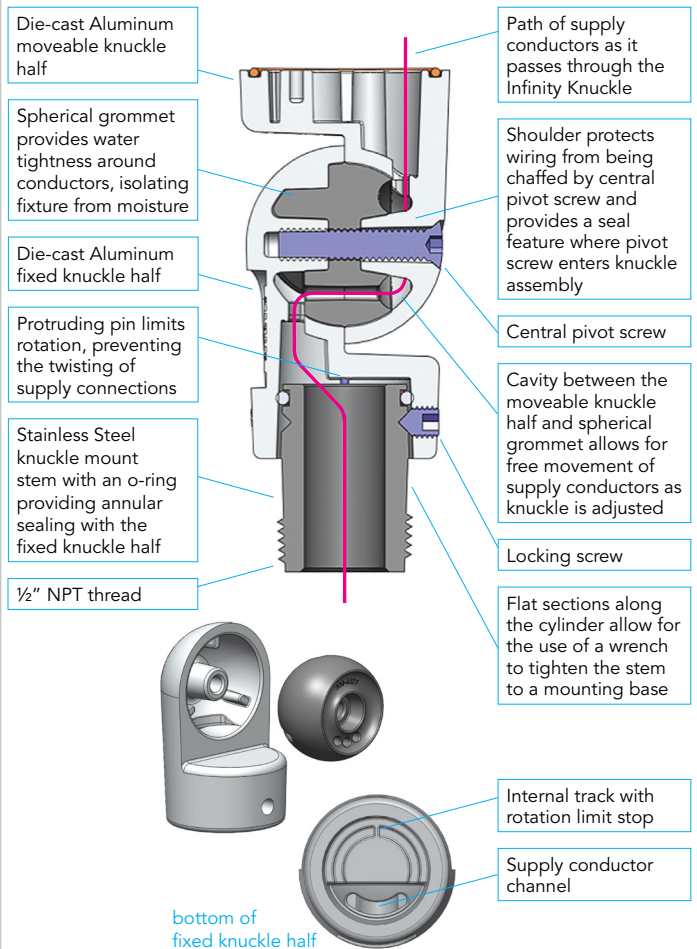
### FINISH:

Powder coat finish available in Black, Architectural Bronze, Dark Bronze, Granite, White, Architectural Brick, Light Bronze, Special Bronze, Glossy Gray, Rust, Hunter Green, Weathered Bronze, Weathered Iron, Graphite Metallic, Verde, Pewter, Mocha and Olde Finish. Custom Powder coat finishes available on request.

### MOUNTING:

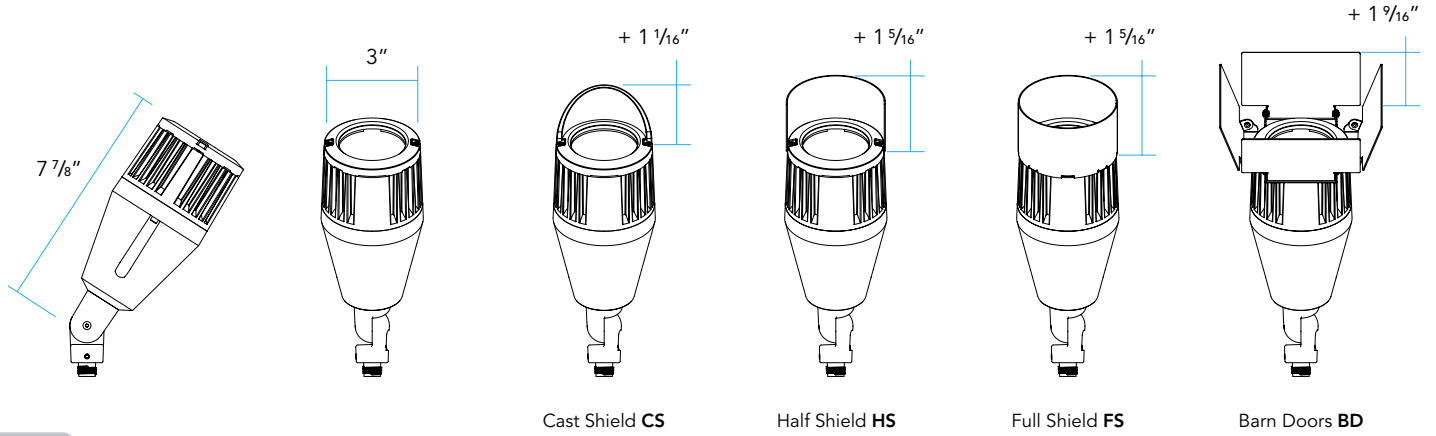
Mounted over J-Bolt Anchor Assembly (recessed in concrete).

## INFINITY KNUCKLE FEATURES

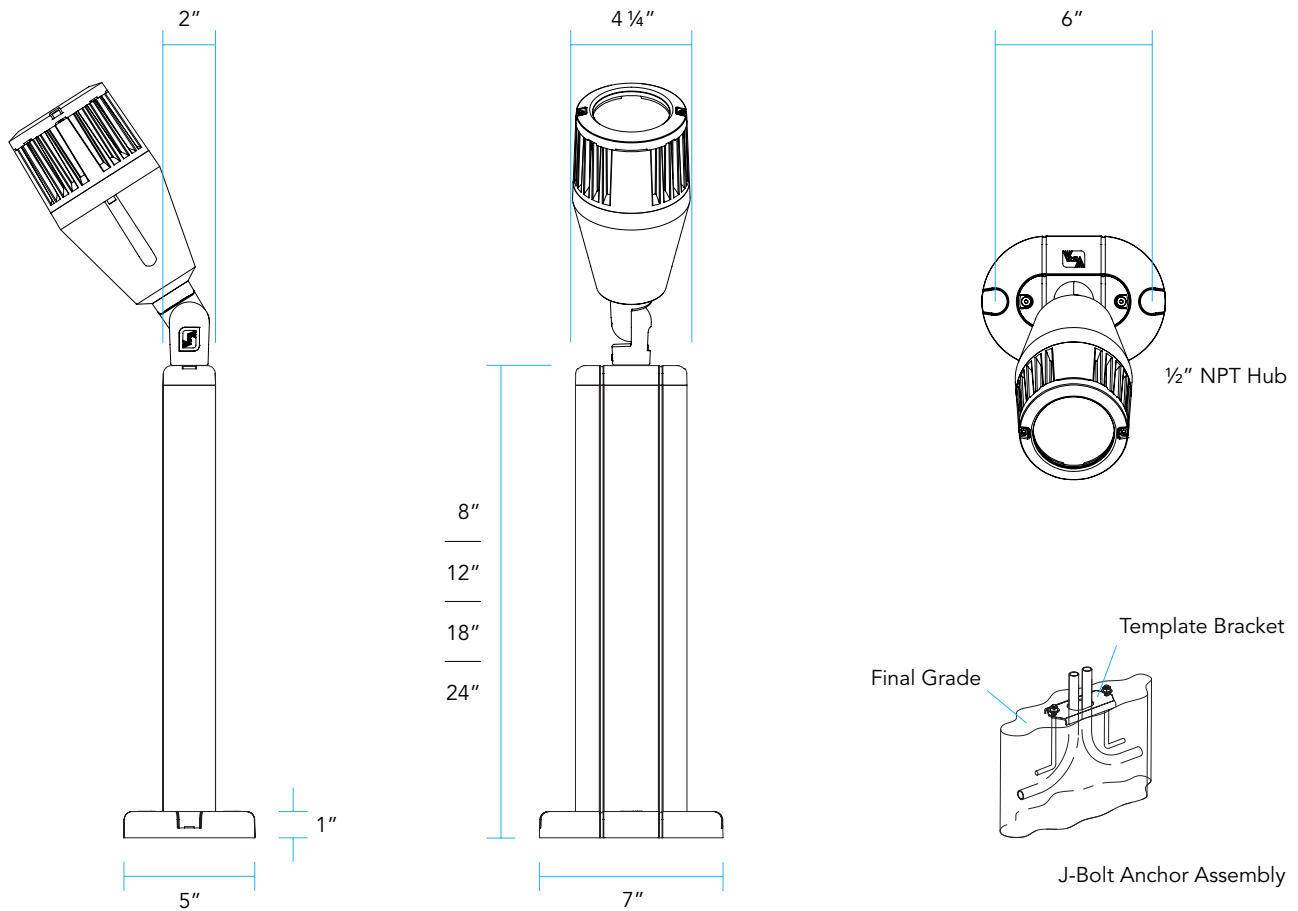




DIMENSIONS



1045



STM-S





**DELIVERED LUMENS**

BEAM SPREAD	A	B	C
Very Narrow Spot VNS	21 Watts 1141 Lumens	26 Watts 1409 Lumens	
Narrow Spot NS	14 Watts 1302 Lumens	21 Watts 1883 Lumens	26 Watts 2325 Lumens
Medium Flood MF	14 Watts 1249 Lumens	21 Watts 1807 Lumens	26 Watts 2230 Lumens
Wide Flood WF	14 Watts 1163 Lumens	21 Watts 1682 Lumens	26 Watts 2077 Lumens

