



MODEL 1052MM | Specification Sheet
Commercial Series • Linear Floodlight • LED

TYPE: MODEL:
PROJECT:

PRODUCT FEATURES



Wattage	26 or 35 W
Voltage	120 – 277 VAC (208 VAC excluded)
Lumens	1821-3690 Delivered Lumens
Distribution	NEMA type [H x V]: 6x6(WW), 7x4(WG), 6x4(NS), 7x5(MF), 7x7(WF), 7x5(AS)
CCT	2700K, 3000K, 3500K, 4000K, 5000K
CRI	80 CRI min.
Dimming	0-10V or Phase Cut (TRIAC/ELV-120 VAC only) available
Driver	Multi-Volt with tri-modal dimming capabilities
Dimensions	24 ¹³ / ₃₂ " W x 7 ⁵ / ₃₂ " H x 3" D



ORDERING INFORMATION

EXAMPLE: 1052MM-B-MF-27-A-MV-PCT-GS

MODEL	FINISH	DISTRIBUTION	COLOR TEMP	LUMENS	VOLTAGE	DIMMING	ACCESSORIES
1052MM					MV		

MODEL	FINISH			DISTRIBUTION	
1052MM	B Black	BR Architectural Brick	G Verde	WW Wall Wash	
	Z Architectural Bronze	LZ Light Bronze	P Pewter	WG Wall Grazer	
	DZ Dark Bronze	SB Special Bronze	M Mocha	NS Narrow	
	GT Granite	GG Glossy Gray	OF Olde Finish	MF Medium Flood	
	W White	R Rust		WF Wide Flood	
		HG Hunter Green		AS Asymmetric	
		WB Weathered Bronze			
		WI Weathered Iron			
		GM Graphite Metallic			
COLOR TEMPERATURE	DELIVERED LUMENS	VOLTAGE	DIMMING		ACCESSORIES
27 2700K	A 2000 (min.)	MV Multi-Volt [120 – 277 VAC] (208 VAC excluded)	ND Non Dimming	GS Internal Glare Shield	VR Polycarbonate Lens
30 3000K	B 3000 (min.)		010 0-10V		
35 3500K			PCT Phase Cut (TRIAC/ELV-120VAC only)		
40 4000K					
50 5000K					



PROFESSIONAL
OUTDOOR LIGHTING

www.VistaPro.com • email@vistapro.com • Fax: (888) 670-VISTA (8478)
1625 Surveyor Avenue • Simi Valley, CA 93063 • (805) 527-0987 • (800) 766-VISTA (8478)

Vista Professional Outdoor Lighting reserves the right to modify the design and/or construction of the fixture shown without further notification.



SPECIFICATIONS

HOUSING:

Extruded aluminum body with die-cast aluminum end caps and mountings.
Optic and driver compartment environmentally sealed.
Mounts onto horizontal extruded aluminum or steel mullion dividing bar (by others) between windows or on door frames. Mullion serves as a means for fixture mounting and wiring raceway. Adjustable $\pm 15^\circ$.

FINISH:

Powder coat finish available in Black, Architectural Bronze, Dark Bronze, Granite, White, Architectural Brick, Light Bronze, Special Bronze, Glossy Gray, Rust, Hunter Green, Weathered Bronze, Weathered Iron, Graphite Metallic, Verde, Pewter, Mocha and Olde Finish. Custom Powder coat finishes available on request.

REFLECTOR:

Specular or semi-specular extruded aluminum optics anodized and bright dipped for maximum reflectivity.

LENS:

4mm (.164") thick tempered and beveled clear glass. Permanently affixed and sealed to the optics housing with RTV silicon. Masked frit opening (black only) available.

LED:

Mid-power linear LED driven at 1000mA or 1400mA.
2000+ or 3200+ Lumens delivered (1000+ or 1600+ per lineal foot).
26 or 35 Watts (13W or 19W per lineal foot).

COLOR TEMPERATURE:

2700K, 3000K, 3500K, 4000K or 5000K CCT White.

COLOR RENDERING:

80 CRI minimum

OPTICS/AIMING:

NEMA defined floodlight optics with wide lateral throws – extruded aluminum.

ACCESSORIES:

Internal Glare Shield **GS**.
Polycarbonate Lens **VR**.

WIRING:

Prewired with 150° C-rated wire.

MOUNTING:

Die-cast, copper-free aluminum Mullion Mount, designed to mount onto horizontal extruded aluminum or steel mullion dividing bar (by others) between windows or on door frames. Mullion Mount adjusts with stainless steel fasteners.

CERTIFICATIONS | STANDARDS | COMPLIANCE:

- UL Certified for wet locations (USA & Canada) | (UL)
- Ingress Protection Rating: **IP66**
- Buy American Act (**BAA**)
- Build America, Buy America Act (**BABA**)

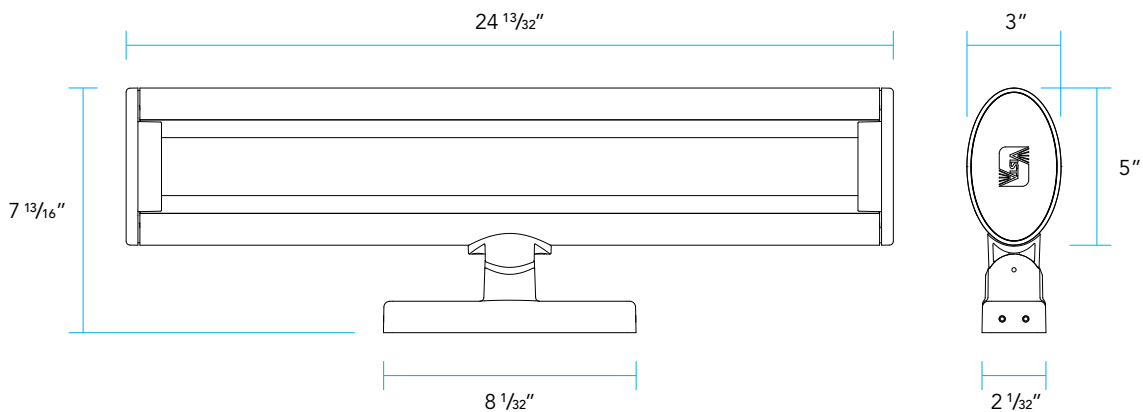
DRIVER:

Multi-Volt **MV 120 – 277 VAC** (208 VAC excluded)
Equipped with tri-modal dimming capabilities.
Start up/Operating Temperature: -10°C to $+50^\circ\text{C}$.
Non-dimmable, 0-10V and Phase Cut (TRIAC/ELV-120VAC only) options available.

LIGHT DISTRIBUTION:

Wall Wash (NEMA 6H x 6V), Wall Grazer (NEMA 7H x 4V),
Narrow (NEMA 7H x 4V), Medium Flood (NEMA 7H x 5V),
Wide Flood (NEMA 6H x 4V), Asymmetric (NEMA 7H x 5V)
distributions available.

DIMENSIONS





DELIVERED LUMENS PACKAGE SPECIFICATIONS

BEAM SPREAD	A	B
Wall Wash WW	26 Watts 2289 Lumens	35.6 Watts 3132 Lumens
Wall Grazer WG	26 Watts 2631 Lumens	35.6 Watts 3635 Lumens
Narrow NS	26 Watts 1821 Lumens	35.6 Watts 2553 Lumens
Medium Flood MF	26 Watts 2696 Lumens	35.6 Watts 3690 Lumens
Wide Flood WF	26 Watts 2307 Lumens	35.6 Watts 3099 Lumens
Asymmetric AS	27.7 Watts 3044 Lumens	35.6 Watts 3914 Lumens

