



**MODEL 1080** | Specification Sheet  
Commercial Series • Floodlight

TYPE:  MODEL:

PROJECT:

**PRODUCT FEATURES**



Wattage	75 W maximum
Voltage	120 VAC
Lamp Type	MR-16 compatible <i>(lamp not included)</i>
Dimensions	3 3/8" DIA x [ 5 1/2"   7"   9" ] D

**ORDERING INFORMATION**

EXAMPLE: 1080-B-CX-N-120-HL

MODEL	FINISH	LENS	SHROUD	INPUT VOLTAGE	ACCESSORIES
1080				120	

MODEL	FINISH	LENS	SHROUD	INPUT VOLTAGE	ACCESSORIES
1080	<b>B</b> Black	<b>CX</b> Crowned Clear Lens <b>CBL</b> Crowned Cool Blue Lens <b>CFR</b> Crowned Frosted Lens	<b>N</b> No shroud <b>M</b> Medium Shroud <b>L</b> Long Shroud	<b>120</b> 120 VAC	<b>HL</b> Honeycomb Louver
	<b>Z</b> Architectural Bronze				
	<b>DZ</b> Dark Bronze				
	<b>GT</b> Granite				
	<b>W</b> White				
	<b>BR</b> Architectural Brick				
	<b>LZ</b> Light Bronze				
	<b>SB</b> Special Bronze				
	<b>GG</b> Glossy Gray				
	<b>R</b> Rust				
	<b>HG</b> Hunter Green				
	<b>WB</b> Weathered Bronze				
	<b>WI</b> Weathered Iron				
	<b>GM</b> Graphite Metallic				
	<b>G</b> Verde	<b>ORDERING NOTES</b> Fixture shipped with no lamp			
	<b>P</b> Pewter				
<b>M</b> Mocha					
<b>OF</b> Olde Finish					



PROFESSIONAL  
OUTDOOR LIGHTING

www.VistaPro.com • email@vistapro.com • Fax: (888) 670-VISTA (8478)  
1625 Surveyor Avenue • Simi Valley, CA 93063 • (805) 527-0987 • (800) 766-VISTA (8478)

Vista Professional Outdoor Lighting reserves the right to modify the design and/or construction of the fixture shown without further notification.



## SPECIFICATIONS

**LAMP TYPE:**

MR-16 compatible. Lamp not included.  
12 Volt transformer integrated into fixture.

**HOUSING:**

Die-cast A360 aluminum. Housing aimable utilizing Vista's patented Infinity Knuckle.

**SHROUD:**

Die-cast A360 aluminum fitted to the housing with a molded gasket.

**FINISH:**

Powder coat finish available in Black, Architectural Bronze, Dark Bronze, Granite, White, Architectural Brick, Light Bronze, Special Bronze, Glossy Gray, Rust, Hunter Green, Weathered Bronze, Weathered Iron, Graphite Metallic, Verde, Pewter, Mocha and Olde Finish. Custom Powder coat finishes available on request.

**LENS:**

Clear, tempered, shock & heat resistant, soda-lime glass lens - crowned (convex) to promote water runoff. Optical effect lenses are available.

**WIRING:**

Prewired with 150° C-rated wire.

**MOUNTING:**

Infinity Knuckle – Die-cast, copper-free aluminum, stainless steel stem with 1/2" NPT thread. A fully sealed spherical grommet allows for precise aiming and retention.

**FASTENERS/INSERTS:**

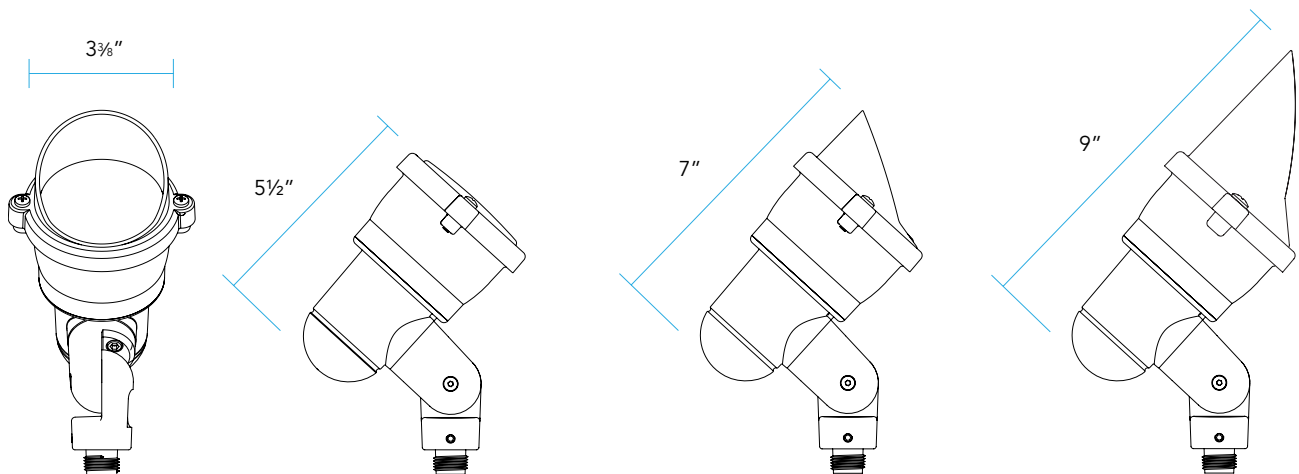
All fasteners are stainless steel.

**CERTIFICATION:**

cULus wet location listed (UL 1598).  
The maximum wattages allowed by Underwriters Laboratories (UL) for the U.S. & Canadian markets may vary. Maximum wattages specified are Underwriters Laboratories U.S. standard. Please contact Vista for any questions about the maximum wattages allowed by UL Canadian standards.

Ingress Protection Rating: IP65

## DIMENSIONS



No Shroud **N**

Medium Shroud **M**

Long Shroud **L**

