



MODEL 5274 | Specification Sheet
Commercial Series • Low Voltage • In-Grade

TYPE: MODEL:

PROJECT:

PRODUCT FEATURES



Wattage	9 W Max.
Voltage	9 – 15 VAC
Lumens	295 or 389 Lumens
Lamp Type	MR-16 LED
Housing	Injection-Molded Polymer
Dimensions	5" DIA x 5" D

ORDERING INFORMATION

EXAMPLE: **GW-5274-BSN-4.5-W-36-CFR**

CATEGORY	MODEL	FINISH	LED	ACCESSORIES
	5274			

CATEGORY	MODEL	FINISH	LED	ACCESSORIES
GW In-Grade	5274	BSN Natural Brass	4.5-W-15 4.5 Watts Warm 15° Narrow Spot	CFR Crowned Frosted Lens
CM In-Grade Conduit Mount		BSO Olde Brass	4.5-W-25 4.5 Watts Warm 25° Spot	CBL Crowned Cool Blue Lens
		SS Stainless Steel	4.5-W-36 4.5 Watts Warm 36° Flood	SL Flat Spread Lens
			4.5-W-60 4.5 Watts Warm 60° Wide Flood	DBL Flat Dark Blue Lens
			5.5-W-15 5.5 Watts Warm 15° Narrow Spot	GL Flat Dark Green Lens
			5.5-W-25 5.5 Watts Warm 25° Spot	RL Flat Red Lens
			5.5-W-36 5.5 Watts Warm 36° Flood	YL Flat Amber Lens
			5.5-W-60 5.5 Watts Warm 60° Wide Flood	HL Honeycomb louver
			NL No Lamp	



**PROFESSIONAL
OUTDOOR LIGHTING**

www.VistaPro.com • email@vistapro.com • Fax: (888) 670-VISTA (8478)
1625 Surveyor Avenue • Simi Valley, CA 93063 • (805) 527-0987 • (800) 766-VISTA (8478)

Vista Professional Outdoor Lighting reserves the right to modify the design and/or construction of the fixture shown without further notification.



SPECIFICATIONS

HOUSING CONSTRUCTION:

Injection-molded glass-reinforced polymer.

LENS COVER CONSTRUCTION:

Machined Brass or 304 Stainless Steel.

FINISH:

Natural Brass, Olde Brass or Natural Stainless Steel lens cover.
Housing available in black only.

LENS:

Clear, tempered glass lens.
Optical effect lenses are available.

OPTICS/AIMING:

Adjustable lamp bracket provides up to $\pm 25^\circ$ of tilt as well as 360° rotation of housing for precise beam control. Lamp bracket can be locked into place to prevent disrupting lamp position when relamping.

MOUNTING:

In-grade. Mounting accessories not required.
Conduit mount fixtures have two $\frac{3}{4}$ " NPT inlets on bottom.
Optional concrete mounting kit available.

FASTENERS:

All fasteners are stainless steel.

WIRING:

Prewired with a 36" pigtail of 18-2 direct-burial cable and underground connectors.

CERTIFICATIONS:

UL Certified for wet locations (USA & Canada) | **(UL 1838)**

LED:

MR-16 LED Lamp.
295 or 389 Lumens.
4.5 or 5.5 Watts.

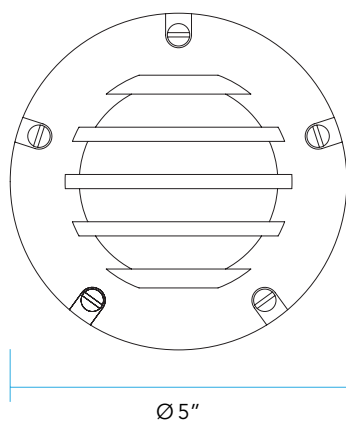
ELECTRICAL:

Input voltage range 9 - 15 VAC.
Low voltage transformer required to operate (sold separately).

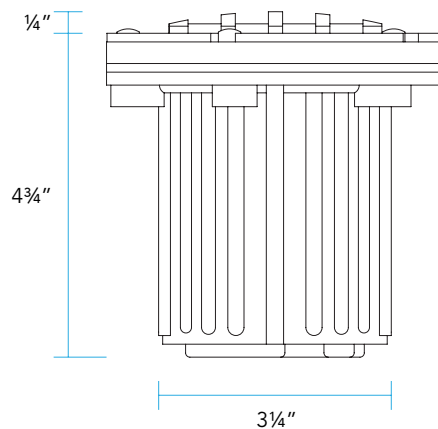
LIGHT DISTRIBUTION:

Very Narrow Spot **15** (15°)
Narrow Spot **25** (25°)
Medium Flood **36** (36°)
Wide Flood **60** (60°)

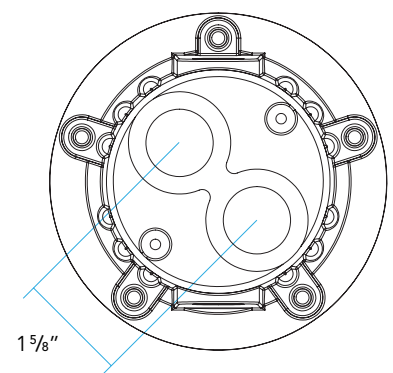
DIMENSIONS



Top



Side



Bottom

[conduit mount (CM) option shown]

