



TYPE:  MODEL:

PROJECT:

**DESCRIPTION**



- Stanchion Mount (**STM**) extends two **1043Y** Floodlights off a surface for a variety of lighting applications.
- Sign lights are suitable for wall and ground mount applications.
- This is a double head sign light. Single head sign lights are available.



**1043Y**

**STM-D**

**1043Y PRODUCT FEATURES**

Wattage	5 – 20 W
Voltage	120 – 277 VAC
Lumens	135 – 1212 Delivered Lumens
Distribution	16° (VNS), 19° (NS), 30° (MF), 45° (WF)
CCT	2700K, 3000K, 3500K, 4000K, 5000K
CRI	80 CRI min.
Dimming	0-10V or Phase Cut (TRIAC/ELV-120VAC only) available
Driver	Multi-Volt 120-277VAC with tri-modal dimming capabilities
Dimensions	3" DIA x 7 7/8" D

**STM-D PRODUCT FEATURES**

Material	Aluminum
Fixture Mounting	Two 1/2" NPT Hub Openings
Base Mounting	J-Bolt Anchor Assembly
Dimensions	12" W x [ 8"   12"   18"   24" ] H



**STM-D**





**1043Y ORDERING INFORMATION**

EXAMPLE: 1043Y-GM-MF-27-A-MV-PCT-FS-5

MODEL	FINISH	DIST	TEMP	LUMENS	VOLTAGE	DIMMING	ACC	ACC
1043Y					MV			5

MODEL	FINISH	DISTRIBUTION	COLOR TEMPERATURE
1043Y	<b>B</b> Black	<b>LZ</b> Light Bronze	<b>WI</b> Weathered Iron
	<b>Z</b> Architectural Bronze	<b>SB</b> Special Bronze	<b>GM</b> Graphite Metallic
	<b>DZ</b> Dark Bronze	<b>GG</b> Glossy Gray	<b>G</b> Verde
	<b>GT</b> Granite	<b>R</b> Rust	<b>P</b> Pewter
	<b>W</b> White	<b>HG</b> Hunter Green	<b>M</b> Mocha
	<b>BR</b> Architectural Brick	<b>WB</b> Weathered Bronze	<b>OF</b> Olde Finish
			<b>VNS</b> Very Narrow Spot *
		<b>NS</b> Narrow Spot **	<b>30</b> 3000K
		<b>MF</b> Medium Flood **	<b>35</b> 3500K
		<b>WF</b> Wide Flood **	<b>40</b> 4000K
			<b>50</b> 5000K

DELIVERED LUMENS	VOLTAGE	DIMMING	ACCESSORIES	ORDERING NOTES	
<b>A</b> 0-200 Lumens	<b>MV</b> Multi Volt (120-277VAC)	<b>ND</b> Non Dimming	<b>BD</b> Barn Doors	* 1043Y-VNS is only available in <b>A, B</b> Delivered Lumen Packages	
<b>B</b> 200-400 Lumens		<b>010</b> 0-10V	<b>FS</b> Full Light Shield		** 1043Y-NS, MF, WF only available in <b>B, C, D, E, F</b> Delivered Lumen Packages
<b>C</b> 400-600 Lumens		<b>PCT</b> Phase Cut <small>(TRIAC/ELV-120VAC only)</small>	<b>HS</b> Half Light Shield		
<b>D</b> 600-750 Lumens			<b>CS</b> Cast Shield	If fixture is to be used in conjunction with Stanchion Mount ( <b>STM</b> ): Must specify with extended wire length	
<b>E</b> 750-1050 Lumens			<b>HL</b> Honeycomb Louver ***		
<b>F</b> 1050-1250 Lumens			<b>5</b> 5 Foot Wire Lead <small>(required for use with STM)</small>		

**STM-D ORDERING INFORMATION**

EXAMPLE: STM-B-24-D

MODEL	FINISH	LENGTH	CONFIGURATION
STM			D

MODEL	FINISH	LENGTH	CONFIGURATION
STM	<b>B</b> Black	<b>R</b> Rust	<b>D</b> Double
	<b>Z</b> Architectural Bronze	<b>HG</b> Hunter Green	
	<b>DZ</b> Dark Bronze	<b>WB</b> Weathered Bronze	
	<b>GT</b> Granite	<b>WI</b> Weathered Iron	
	<b>W</b> White	<b>GM</b> Graphite Metallic	
	<b>BR</b> Architectural Brick	<b>G</b> Verde	
	<b>LZ</b> Light Bronze	<b>P</b> Pewter	
	<b>SB</b> Special Bronze	<b>M</b> Mocha	
	<b>GG</b> Glossy Gray	<b>OF</b> Olde Finish	
		<b>12</b> 12 Inches	
		<b>18</b> 18 Inches	
		<b>24</b> 24 Inches	
		<b>CST</b> Custom Length	





## 1043Y SPECIFICATIONS

### HOUSING:

Die-cast A360 aluminum. Optic and driver compartment environmentally sealed. Housing aiming achieved via an aluminum yoke strap and stainless fasteners beneath removable decorative yoke caps. Housing can swing completely through yoke strap.

### DOOR:

Die-cast A360 aluminum. Stainless steel fasteners. Door is designed to shed water from the lens surface.

### FINISH:

Powder coat finish available in Black, Architectural Bronze, Dark Bronze, Granite, White, Architectural Brick, Light Bronze, Special Bronze, Glossy Gray, Rust, Hunter Green, Weathered Bronze, Weathered Iron, Graphite Metallic, Verde, Pewter, Mocha and Olde Finish. Custom Powder coat finishes available on request.

### LENS:

2.7mm thick tempered and beveled clear glass.

### REFLECTOR:

Precision molded metalized optics combined with glare controlling filters. Very Narrow Spot optic incorporates an additional internal source shield to eliminate unwanted glare outside the beam pattern.

### ACCESSORIES:

Barn Doors **BD**, Full Shield **FS**, Half Shield **HS** and Cast Shield **CS** available.

### WIRING:

- 18/3 SEOWW outdoor rated waterproof cable  
[for Non-dimmable and Phase Cut (TRIAC/ELV-120VAC only) options]
- 18/5 SJTOW outdoor rated waterproof cable  
[for 0-10V dimming option]

Cable exits fixture housing through a liquid tight cable fitting.

### MOUNTING:

Yoke provided with ½ NPSM stainless Cord Seal Mount to secure the yoke strap directly into a ½-14 threaded opening. See the Vista website for additional Mounts and Accessories.

### LED:

Discreet performance LEDs binned to three MacAdam ellipses. 135 – 1212 Lumens delivered. 5 – 20 Watts.

### COLOR TEMPERATURE:

2700K, 3000K, 3500K, 4000K or 5000K CCT White.

### COLOR RENDERING:

80 CRI minimum

### DRIVER:

Multi-Volt **MV** 120V-277V equipped with tri-modal dimming capabilities. Start up/Operating Temperature: -10°C to +50°C. Non-dimmable, 0-10V and Phase Cut (TRIAC/ELV-120VAC only) options available.

### LIGHT DISTRIBUTION:

Very Narrow Spot **VNS** (16°) | NEMA 3x3  
Narrow Spot **NS** (19°) | NEMA 3x3  
Medium Flood **MF** (30°) | NEMA 4x4  
Wide Flood **WF** (45°) | NEMA 5x5

### CERTIFICATIONS | STANDARDS | COMPLIANCE:

- UL Certified for wet locations (USA & Canada) | (UL)
- Ingress Protection Rating: **IP66**
- Buy American Act (**BAA**)
- Build America, Buy America Act (**BABA**)

## STM-D SPECIFICATIONS

### DESCRIPTION:

Double Stanchion Mount is designed for in-grade, wall-mount, and a variety of lighting applications. It can be ordered in 8", 12", 18" and 24" standard lengths. Custom lengths are available.

### CONSTRUCTION:

Heavy wall extruded, die-cast and machined aluminum parts.

### FINISH:

Powder coat finish available in Black, Architectural Bronze, Dark Bronze, Granite, White, Architectural Brick, Light Bronze, Special Bronze, Glossy Gray, Rust, Hunter Green, Weathered Bronze, Weathered Iron, Graphite Metallic, Verde, Pewter, Mocha and Olde Finish. Custom Powder coat finishes available on request.

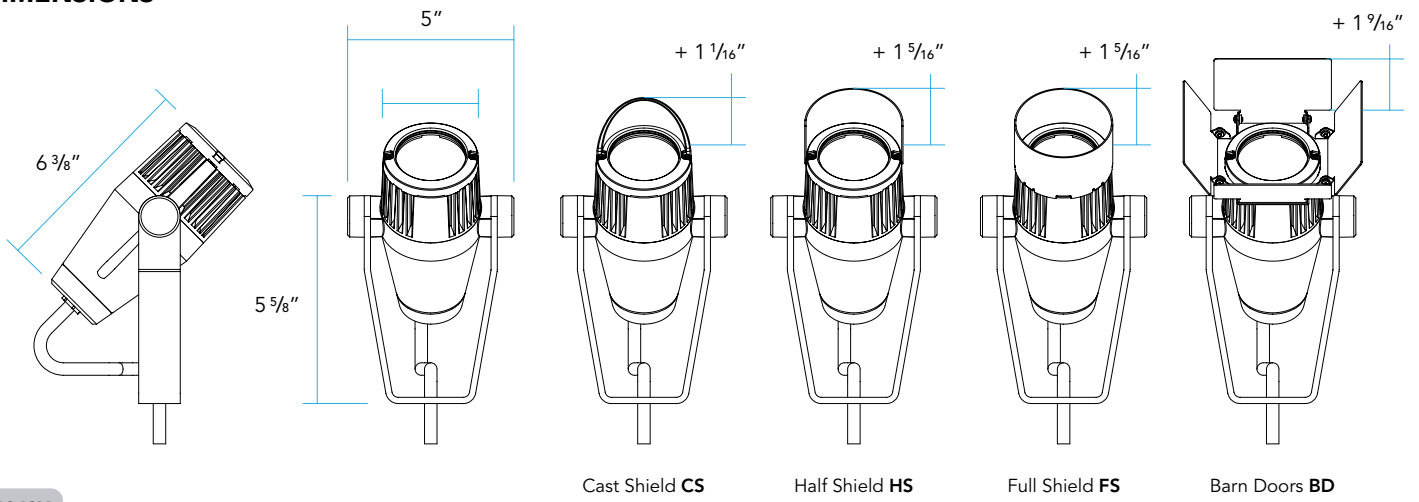
### MOUNTING:

Mounted over J-Bolt Anchor Assembly (recessed in concrete).

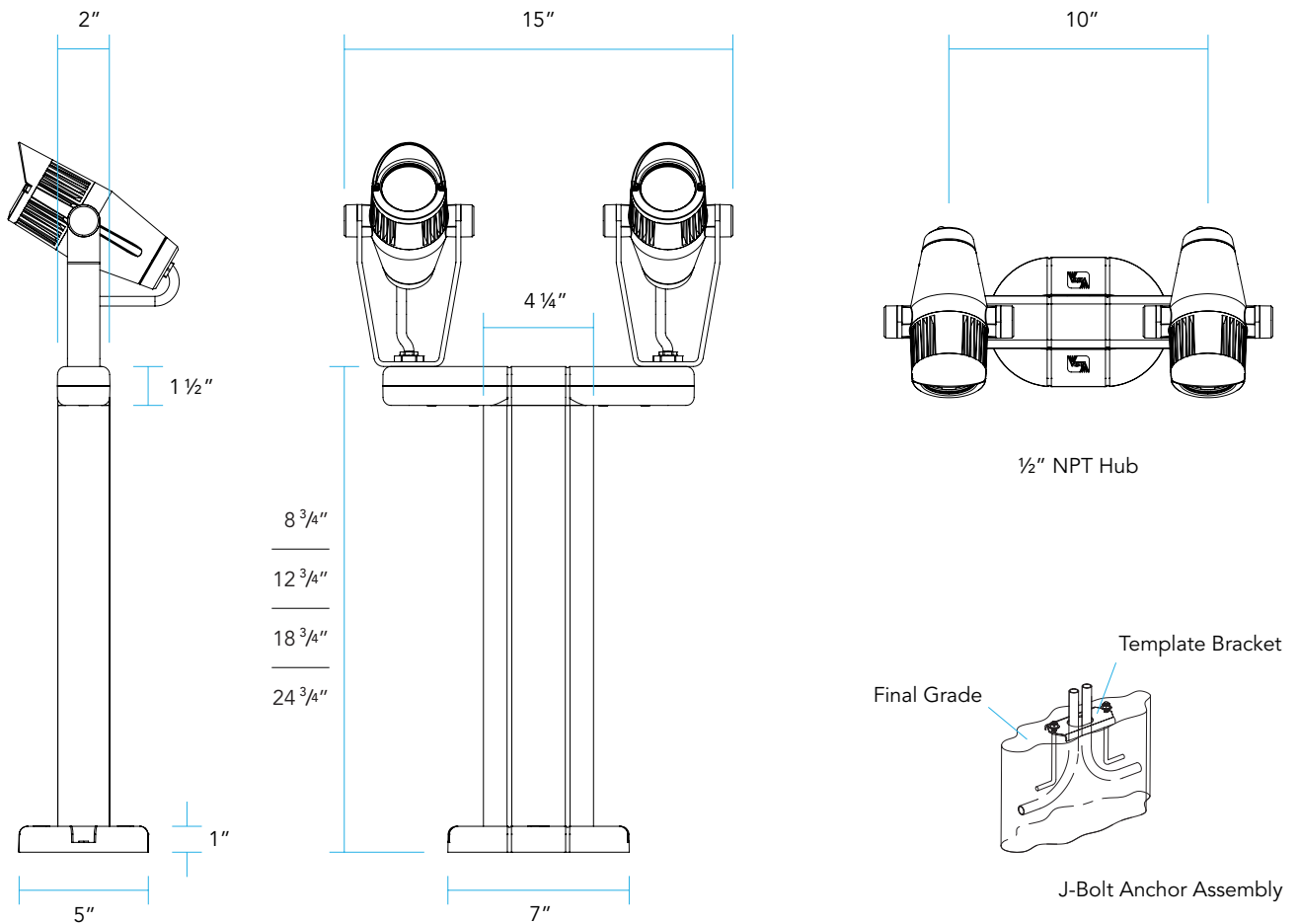




DIMENSIONS



1043Y



STM-S





**DELIVERED LUMENS (PER LUMINAIRE)**

BEAM SPREAD	A	B	C	D	E	F
Very Narrow Spot VNS	5 Watts 135 Lumens	17 Watts 361 Lumens				
Narrow Spot NS		5 Watts 364 Lumens	7.5 Watts 566 Lumens	10 Watts 738 Lumens	16 Watts 1035 Lumens	19 Watts 1212 Lumens
Medium Flood MF		5 Watts 321 Lumens	7.5 Watts 487 Lumens	10 Watts 711 Lumens	16 Watts 1035 Lumens	19 Watts 1188 Lumens
Wide Flood WF		5 Watts 332 Lumens	7.5 Watts 542 Lumens	10 Watts 687 Lumens	16 Watts 957 Lumens	19 Watts 1052 Lumens

