



**MODEL 1185** | Specification Sheet  
Commercial Series • In-Grade • LED

TYPE:  MODEL:   
PROJECT:

**PRODUCT FEATURES**

|              |  |
|--------------|--|
| Wattage      | 15 – 26 W  |
| Voltage      | 120 – 277 VAC  |
| Lumens       | 917 – 1766 Delivered Lumens  |
| Distribution | NEMA type [H x V]: 2x2 (VNS), 2x2 (NS), 3x3 (MF), 4x4 (WF), 5x5 (WW) |
| CCT          | 2700K, 3000K, 3500K, 4000K, 5000K                                    |
| CRI          | 80 CRI min.  |
| Dimming      | 0-10V or Phase Cut (TRIAC/ELV-120VAC only) available                 |
| Driver       | Multi-Volt 120-277VAC with tri-modal dimming capabilities            |
| Dimensions   | 8" DIA x 8" D  |



**ORDERING INFORMATION**

EXAMPLE: 1185-GM-MF-27-B-MV-CX-PCT-B34-TO10

| MODEL | FINISH | DIST | TEMP | LUMENS | VOLTAGE | LENS | DIMMING | ENTRIES | ACC |
|-------|--------|------|------|--------|---------|------|---------|---------|-----|
| 1185  |        |      |      |        | MV      |      |         |         |     |

| MODEL | DOOR FINISH                   | DISTRIBUTION               | COLOR TEMP                  | DELIVERED LUMENS  | VOLTAGE                              |
|-------|-------------------------------|----------------------------|-----------------------------|---|--------------------------------------|
| 1185  | <b>B</b> Black                | <b>LZ</b> Light Bronze     | <b>WI</b> Weathered Iron    | <b>VNS</b> Very Narrow Spot *                                       | <b>27</b> 2700K                      |
|       | <b>Z</b> Architectural Bronze | <b>SB</b> Special Bronze   | <b>GM</b> Graphite Metallic | <b>NS</b> Narrow Spot   | <b>30</b> 3000K                      |
|       | <b>DZ</b> Dark Bronze         | <b>GG</b> Glossy Gray      | <b>G</b> Verde              | <b>MF</b> Medium Flood  | <b>35</b> 3500K                      |
|       | <b>GT</b> Granite             | <b>R</b> Rust              | <b>P</b> Pewter             | <b>WF</b> Wide Flood  | <b>40</b> 4000K                      |
|       | <b>W</b> White                | <b>HG</b> Hunter Green     | <b>M</b> Mocha              |   | <b>50</b> 5000K                      |
|       | <b>BR</b> Architectural Brick | <b>WB</b> Weathered Bronze | <b>OF</b> Olde Finish       |   |                                      |
|       |                               |                            |                             | <b>A</b> 917 – 1141<br><b>B</b> 1317 – 1431<br><b>C</b> 1625 – 1766 | <b>MV</b> Multi Volt (120 - 277 VAC) |

| LENS                      | DIMMING                                      | CONDUIT ENTRIES                 | ACCESSORIES                          | ORDERING NOTES  |
|---------------------------|--|---------------------------------|--------------------------------------|---|
| <b>CX</b> Crowned Clear   | <b>ND</b> Non Dimming                        | <b>B34</b> Bottom ¾" (Standard) | <b>T05</b> Tilt Optic 5°             | * 1185-VNS not available with B & C lumen packages.<br><br>** Colored Lenses not available with B & C Lumen packages.<br><br><b>WW</b> Wall Wash distribution available by ordering with the following options:<br><br><b>MF   LSF   TO15</b> |
| <b>AX</b> Anti Slip Clear | <b>010</b> 0-10V                             | <b>F34</b> Front ¾"             | <b>T010</b> Tilt Optic 10°           |   |
|                           | <b>PCT</b> Phase Cut (TRIAC/ELV-120VAC only) | <b>S34</b> Sides ¾"             | <b>T015</b> Tilt Optic 15°           |   |
|                           |  | <b>A34</b> All ¾"               | <b>T025</b> Tilt Optic 25°           |   |
|                           |  |                                 | <b>DF</b> Diffuse Filter             |   |
|                           |  |                                 | <b>LSF</b> Linear Spread Filter      |   |
|                           |  |                                 | <b>RBK</b> Rebar Bracket Kit         |   |
|                           |  |                                 | <b>STR</b> Stainless Steel Trim Ring |   |
|                           |  |                                 | <b>HS</b> Half Glare Shield          |   |
|                           |  |                                 | <b>YL</b> Yellow Lens **             |   |
|                           |  |                                 | <b>RL</b> Red Lens **                |   |
|                           |  |                                 | <b>BL</b> Blue Lens **               |   |
|                           |  |                                 | <b>GL</b> Green Lens **              |   |



PROFESSIONAL OUTDOOR LIGHTING

www.VistaPro.com • email@vistapro.com • Fax: (888) 670-VISTA (8478)  
1625 Surveyor Avenue • Simi Valley, CA 93063 • (805) 527-0987 • (800) 766-VISTA (8478)  
Vista Professional Outdoor Lighting reserves the right to modify the design and/or construction of the fixture shown without further notification.



## SPECIFICATIONS

### DOOR:

TYPE III hard anodized/powder coat Die-cast A360 aluminum. Captive stainless steel fasteners affixed to a ventilated door. Inner vents allow hot air to escape from around optic housing while outer vents allow cool air to enter fixture housing.

### FIXTURE HOUSING:

Compression-molded, glass-reinforced polymer. Molded with integral junction box. Unibody construction allows for superior door and optic housing support. Standard with two 3/4" NPT bottom tapped holes. 3/4" NPT front, 3/4" NPT side and 3/4" NPT conduit entry holes optional.

### OPTIC HOUSING:

TYPE III hard anodized and Thermkote treated Die-cast A360 aluminum. Finned for maximum heat dissipation. Optic and driver compartment separately sealed while being electrically connected.

### DRIVER COMPARTMENT:

Injection-molded PPS for maximum corrosion protection. Driver compartment houses electronic LED driver and thermostat which cuts power to fixture in abnormal ambient temperature conditions. Driver compartment is completely epoxy potted to protect electronics from moisture.

### DOOR FINISH:

Powder coat finish available in Black, Architectural Bronze, Dark Bronze, Granite, White, Architectural Brick, Light Bronze, Special Bronze, Glossy Gray, Rust, Hunter Green, Weathered Bronze, Weathered Iron, Graphite Metallic, Verde, Pewter, Mocha and Olde Finish. Custom Powder coat finishes available on request.

### LENS:

1/4" thick tempered pressed clear glass. Optional anti-slip clear lens.

### REFLECTOR:

Specular or semi-specular spun aluminum optics, anodized for maximum performance. Very Narrow Spot optic incorporates an additional internal source shield to eliminate unwanted glare outside the beam pattern.

### ACCESSORIES:

Tilt Optic 5° **TO5**, Tilt Optic 10° **TO10**, Tilt Optic 15° **TO15**, Tilt Optic 25° **TO25**, Diffuse Filter **DF**, Linear Spread Filter **LSF**, Rebar Bracket Kit **RBK**, Stainless Trim Ring **STR**, Half Glare Shield **HS** available.

Dichroic Lenses: Yellow **YL**, Red **RL**, Blue **BL** and Green **GL** also available.

### WIRING:

- 18/3 SEOWW outdoor rated waterproof cable [for Non-dimmable and Phase Cut (TRIAC/ELV-120VAC only) options]
- 18/5 SJTOW outdoor rated waterproof cable [for 0-10V dimming option]

### MOUNTING:

Fixture suitable for direct burial in earth or poured concrete applications.

### LOAD RATING:

Peak compressive force of **2,000 lbs.** This represents 94% of max load to load failure on average. Independent tests performed by SGS US Testing Company, Inc., an ISO 17025 accredited National Testing Laboratory.

### CERTIFICATIONS | STANDARDS | COMPLIANCE:

- Edison Testing Laboratories Certified for wet locations (**ETL**)
- Ingress Protection Rating: **IP68**
- Buy American Act (**BAA**)
- Build America, Buy America Act (**BABA**)

### LED:

Performance COB LEDs in various color temperatures.  
15 – 26 Watts.  
900 – 2000 Delivered Lumens

### COLOR TEMPERATURE:

2700K, 3000K, 3500K, 4000K or 5000K CCT White.

### COLOR RENDERING:

80 CRI minimum

### OPTICS/AIMING:

Specular or semi-specular optics designed for maximum performance and uniformity. Fixture aiming achieved via a series of tilt optic lenses and patented magnetic aiming system. Additional tilt optic lenses available. Very Narrow Spot optic incorporates an additional internal source shield to eliminate unwanted glare outside the beam pattern.

### DRIVER:

Multi-Volt **MV** 120V-277V equipped with tri-modal dimming capabilities. Start up/Operating Temperature: -10°C to +50°C. Non-dimmable, 0-10V and Phase Cut (TRIAC/ELV-120VAC only) options available.

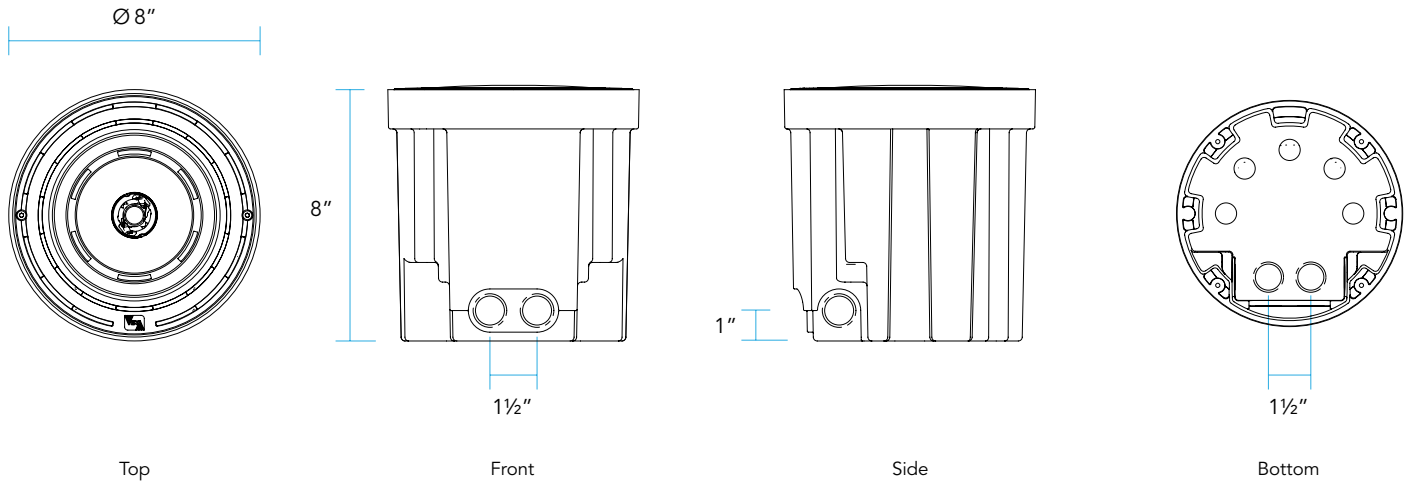
### LIGHT DISTRIBUTION:

Very Narrow Spot **VNS** NEMA 2x2  
Narrow Spot **NS** NEMA 2x2  
Medium Flood **MF** NEMA 3x3  
Wide Flood **WF** NEMA 4x4  
Wall Wash **WW** NEMA 5x5 (1185-MF-A-CX-LSF-TO15)





**DIMENSIONS**



**DELIVERED LUMENS**

| BEAM SPREAD             | A                         | B                         | C                         |
|-------------------------|---------------------------|---------------------------|---------------------------|
| Very Narrow Spot<br>VNS | 25.5 Watts<br>1141 Lumens |                           |                           |
| Narrow Spot<br>NS       | 14.3 Watts<br>981 Lumens  | 20.6 Watts<br>1407 Lumens | 25.4 Watts<br>1738 Lumens |
| Medium Flood<br>MF      | 14.5 Watts<br>997 Lumens  | 20.8 Watts<br>1431 Lumens | 25.7 Watts<br>1766 Lumens |
| Wide Flood<br>WF        | 14.5 Watts<br>917 Lumens  | 20.8 Watts<br>1317 Lumens | 25.7 Watts<br>1625 Lumens |
| Wall Wash<br>WW         | 14.2 Watts<br>1014 Lumens | 20.6 Watts<br>1467 Lumens | 25.4 Watts<br>1811 Lumens |

Wall Wash **WW**: 1185-MF-A-CX-LSF-TO15

