



MODEL 3106 | Specification Sheet
Commercial Series • Low Voltage • Up / Accent / Downlight

TYPE: MODEL:
PROJECT:

PRODUCT FEATURES



| | |
|--------------|---|
| Wattage | 4.5 – 13 W |
| Voltage | 9 – 15 VAC |
| Lumens | 135 – 738 Delivered Lumens |
| Distribution | 16° (VNS), 19° (NS), 30° (MF), 45° (WF) |
| CCT | 2700K, 3000K, 3500K, 4000K, 5000K |
| CRI | 80 CRI min. |
| Housing | Die-cast Aluminum |
| Dimensions | 3" DIA x 7 5/8" D |



ORDERING INFORMATION

EXAMPLE: GR-3106-B-9.5-27-SP-IK-HL

| MOUNTING | MODEL | FINISH | WATTAGE | COLOR TEMP | DISTRIBUTION | KNUCKLE | ACCESSORIES |
|----------|-------|--------|---------|------------|--------------|---------|-------------|
| | 3106 | | | | | IK | |

| MOUNTING | MODEL | FINISH | WATTAGE |
|-----------------------------------|-----------------------------|-------------------------------|----------------------|
| GR ABS ground stake | 3106 | B Black | 4.5 4.5 Watts |
| WR Wall-mount canopy | | Z Architectural Bronze | 9.5 9.5 Watts |
| TR Tree-mount junction box | | DZ Dark Bronze | 13 13 Watts |
| | | GT Granite | |
| | | W White | |
| | | BR Architectural Brick | |
| | | LZ Light Bronze | |
| | SB Special Bronze | | |
| | GG Glossy Gray | | |
| | R Rust | | |
| | HG Hunter Green | | |
| | WB Weathered Bronze | | |
| | WI Weathered Iron | | |
| | GM Graphite Metallic | | |
| | G Verde | | |
| | P Pewter | | |
| | M Mocha | | |
| | OF Olde Finish | | |

| COLOR TEMPERATURE | DISTRIBUTION | KNUCKLE | ACCESSORIES | ORDERING NOTES |
|-------------------|----------------------------|----------------------------|----------------------------|--|
| 27 2700K | VNS 16° Narrow Spot | IK Infinity Knuckle | HL Honeycomb Louver | Fixtures shipped with specified mounting hardware. |
| W 3000K | SP 19° Spot | | 5 5' Wire Lead | |
| 35 3500K | MF 30° Flood | | | If fixture is to be used in conjunction with Extended Arm Mount (EAM): Must specify with extended wire length |
| N 4000K | WF 46° Wide Flood | | | |
| C 5000K | | | | |



PROFESSIONAL
OUTDOOR LIGHTING

www.VistaPro.com • email@vistapro.com • Fax: (888) 670-VISTA (8478)
1625 Surveyor Avenue • Simi Valley, CA 93063 • (805) 527-0987 • (800) 766-VISTA (8478)

Vista Professional Outdoor Lighting reserves the right to modify the design and/or construction of the fixture shown without further notification.



SPECIFICATIONS

HOUSING CONSTRUCTION:

Die-cast A360 aluminum. Optic and driver compartment environmentally sealed.

DOOR CONSTRUCTION:

Die-cast A360 aluminum.

Door is designed to shed water from the lens surface.

FINISH:

Powder coat finish available in Black, Architectural Bronze, Dark Bronze, Granite, White, Architectural Brick, Light Bronze, Special Bronze, Glossy Gray, Rust, Hunter Green, Weathered Bronze, Weathered Iron, Graphite Metallic, Verde, Pewter, Mocha and Olde Finish. Custom Powder coat finishes available on request.

LENS:

Tempered and beveled clear glass.

REFLECTOR:

Precision molded metalized optics combined with glare controlling filters. Very Narrow Spot optic incorporates an additional internal source shield to eliminate unwanted glare outside the beam pattern.

FASTENERS:

All fasteners are stainless steel.

WIRING:

Prewired with a 36" pigtail of 18-2 direct-burial cable and underground connectors.

MOUNTING:

Infinity Knuckle – Die-cast, copper-free aluminum, stainless steel stem with 1/2" NPT thread. A fully sealed spherical grommet allows for precise aiming and retention.

CERTIFICATIONS | STANDARDS | COMPLIANCE:

- UL Certified for wet locations (USA & Canada) | (UL 1838)
- Buy American Act (BAA)
- Build America, Buy America Act (BABA)

LED:

Discreet performance LEDs binned to three MacAdam ellipses.
135 – 738 Lumens delivered.
4.5 – 13 Watts.

COLOR TEMPERATURE:

2700K, 3000K, 3500K, 4000K or 5000K CCT White.

COLOR RENDERING:

80 CRI minimum

ELECTRICAL:

Input voltage range 9 - 15 VAC.

Low voltage transformer required to operate (sold separately).

LIGHT DISTRIBUTION:

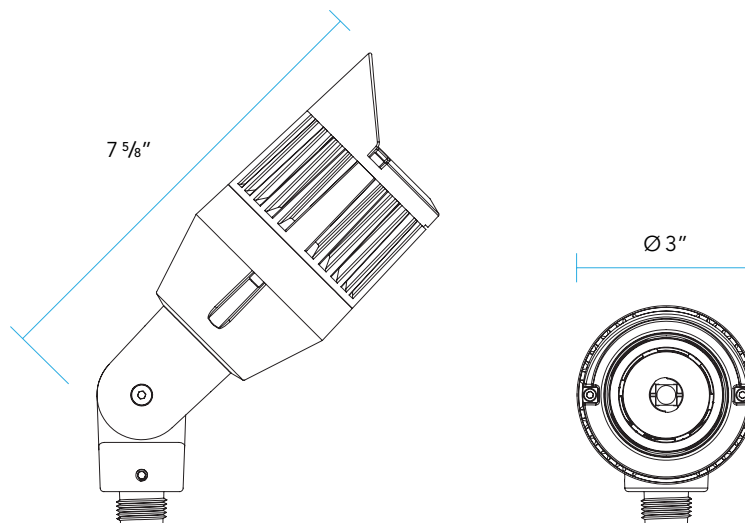
Very Narrow Spot **VNS** (16° FWHM)

Narrow Spot **NS** (19° FWHM)

Medium Flood **MF** (30° FWHM)

Wide Flood **WF** (46° FWHM)

DIMENSIONS





DELIVERED LUMENS

| BEAM SPREAD | 4.5 W | 9.5 W | 13 W |
|-------------------------|------------|------------|------------|
| Very Narrow Spot VNS | 135 Lumens | 214 Lumens | 269 Lumens |
| Narrow Spot NS | 364 Lumens | 566 Lumens | 738 Lumens |
| Medium Flood MF | 321 Lumens | 487 Lumens | 711 Lumens |
| Wide Flood WF | 332 Lumens | 542 Lumens | 687 Lumens |

