

**IMPORTANT NOTE:**

- Luminaire must be installed and grounded in accordance with the National Electrical Code (NEC) and local codes.
- Luminaire is UL listed for above grade installation only.
- Always use UL recognized wire connectors for connections.

MAINTENANCE: To assure proper operation and efficiency, lens must be kept clean and free of dirt, dust, leaves, trash and mineral deposits from water. A regular scheduled maintenance program is recommended.

SAFETY WARNING: Luminaire can become hot. Take care when locating luminaires.

NOTE: Save these instructions for future reference.



DIRECT LUMINAIRE MOUNTING TO MULLION VIA MOUNTING BRACKET ASSEMBLY

NOTE: The Luminaire can be mounted such that the direction of illumination will be up or down. The Luminaire throw can be adjusted up to ± 15 degrees from horizontal.

1. Make sure electrical supply is off at circuit breaker before starting luminaire installation or servicing luminaire.
2. Remove the Mullion Mount bracket with adhered gasket by loosening the side set screws and front mount screws, but do not completely remove. The edge of the gasket is adhered to the back side of the mullion housing, use a slight pull force to separate.
3. Use the Mullion Mount bracket as a template to mark the locations for the two bracket mounting screws (by others). The fastener locations are 5" apart on center. Also use the bracket to mark the wire pass-through hole. Once marked, drill all three holes in the mullion.
4. Install two bracket mount screws (by others) through the wall mount bracket and gasket into the mullion. Firmly secure.
5. Using the internal raceway of the mullion, route the supply conductors (by others) through the mullion raceway and wire trough the pass-through hole in the bracket.
6. Using NEC approved wiring methods, connect the supply conductors (by others) to the luminaire load conductors, passing through the grommet wireway, observing the following polarity:

Supply (+) to Load (Black)
 Supply (-) to Load (White)
 Supply (Ground) to Load (Green)

If 0-10V dimming is used:
 Dimming Supply (+) to Dimming Load (Purple)
 Dimming Supply (-) to Dimming Load (Pink or Grey)

7. Neatly pack the connected wires into the space created by the bracket and mullion housing.
8. Affix the mullion housing to the bracket using the two side set screws first, followed by the remaining two front 8-32 mount screws. Tighten firmly.
9. Adjust the aim of the luminaire, up to ± 15 degrees from horizontal, and firmly tighten the aiming adjustment screw.
10. Lock the desired aiming of the luminaire by firmly tightening the two 8-32 x $\frac{7}{16}$ aim set screws (by vista) on both sides of the mullion housing.
11. Supply power to the luminaire and check for proper operation.

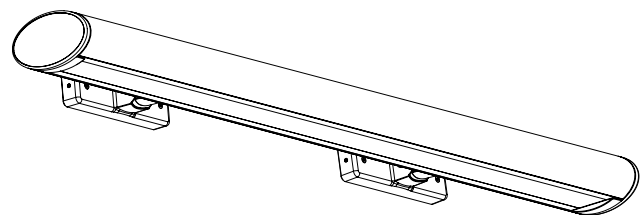
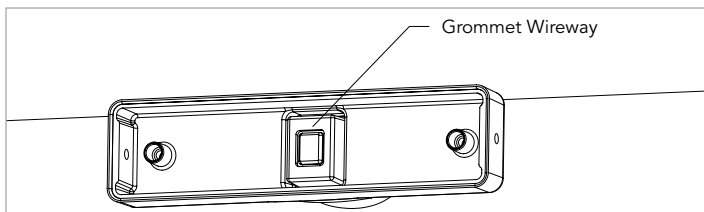
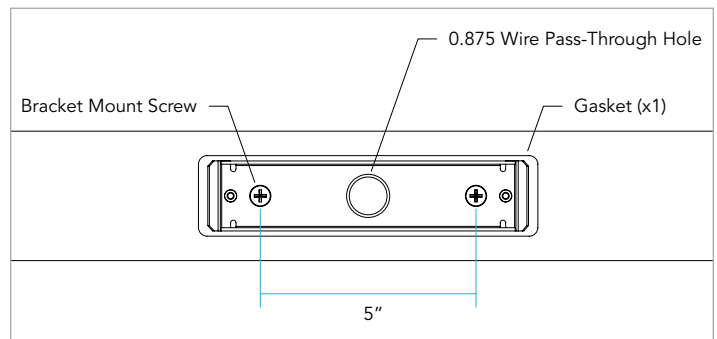
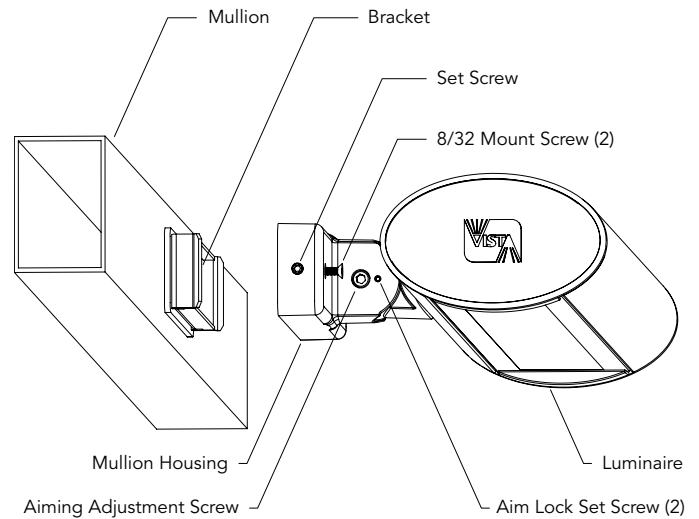


IMAGE OF 1054MM W/ TWO MULLION MOUNT ASSEMBLIES

