



INSTALLATION INSTRUCTIONS

GLASS BORDER 1502,1504 SERIES STEPLIGHTS

IMPORTANT NOTE:

- Luminaire must be installed and grounded in accordance with the National Electrical Code (NEC) and local codes.
- All conduit entries must be sealed from moisture. Use appropriate sealing material on conduit fittings and conduit closure plugs.
- Rough-In Section (RIS) housing with Flush Tray **MUST** be installed so that the front face of the Flush Tray is flush or slightly forward with the finished wall surface.
- Luminaire is IC and Non-IC rated.
- Luminaire is wet location listed and suitable for mounting within 3ft of ground.
- Suitable for all types of construction including poured concrete construction and in stud wall applications-**MINIMUM 2"x 6" WALL DEPTH REQUIRED – NOT SUITABLE FOR 2"x 4" WALLS**
- Rough In Section (RIS) housing provided with (3) 1/2" NPT closure plugs and (4) knockout membranes.
- Suitable for through wiring: max. of (4) No. 12 AWG conductors (plus ground) rated for 90°C.

MAINTENANCE: To assure proper operation and efficiency, lens must be kept clean and free of dirt, dust, leaves, trash and mineral deposits from water. A regular schedule maintenance program is recommended.

NOTE: Save these instructions for future reference.

LUMINAIRE INSTALLATION IN STUD WALL CONSTRUCTION:

IMPORTANT NOTE: Internal supports, temporary cover plate, MDF Flush Tray plate, and vinyl label must remain in place during RIS housing installation.

1. Position the housing mounting brackets to accommodate either 1/2" thick drywall or 5/8" thick drywall (fig. 1).
2. Secure the (2) RIS housing mounting brackets with (4) 8-32 Hex Nuts (provided) (fig. 1).

3. Secure the RIS housing mounting brackets using fasteners (by others) to support studs (fig.2).
4. Connect conduit to RIS housing (fig.2).
5. Remove and retain vinyl label, temporary cover plate, MDF Flush Tray plate, and internal support. Pull wires for electrical connections to be made later.
6. To protect RIS housing during construction, reinstall internal support, MDF Flush Tray plate, temporary cover plate and vinyl label.

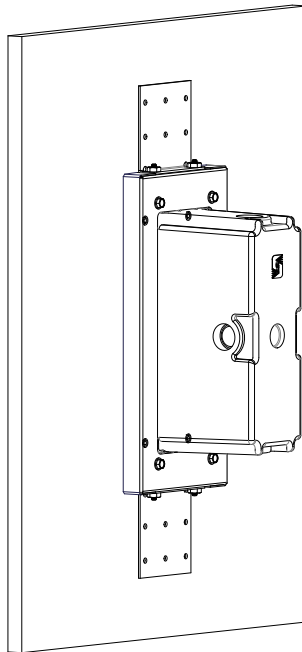


Figure 1

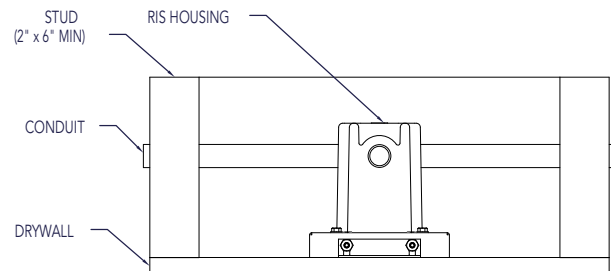


Figure 2

Vista Professional Outdoor Lighting reserves the right to modify the design and/or construction of the fixture shown without further notification.



INSTALLATION INSTRUCTIONS

GLASS BORDER 1502,1504 SERIES STEPLIGHTS

LUMINAIRE INSTALLATION IN POURED CONCRETE CONSTRUCTION:

IMPORTANT NOTE: Internal supports, temporary cover plate, MDF Flush Tray plate, and vinyl label must remain in place during pouring and curing of concrete.

1. Install (4) threaded 8-32 rods (supplied) into RIS housing by piercing through vinyl label and through the MDF Flush Tray plate in specified location. Hand tighten until secure.
2. Attach RIS housing to pour form using (4) wing nuts provided so the front face of the Flush Tray will be flush with the finished surface (fig. 3).
3. Connect conduit to RIS housing (fig. 3).
4. Pour concrete. **NOTE: DO NOT PUMP OR DROP CONCRETE DIRECTLY ON TOP OF THE RIS HOUSING (FIG.4).**
5. Remove the wings nuts and threaded rod before removing pour form. **FAILURE TO REMOVE WING NUTS AND RODS PRIOR TO FORM REMOVAL CAN RESULT IN RIS DAMAGE AND WILL VOID WARRANTY.**
6. Remove and retain vinyl label, temporary cover plate, MDF Flush Tray plate, and internal supports. Pull wires for electrical connections to be made later.
7. To protect RIS housing during construction, reinstall internal supports, temporary cover plate, MDF Flush Tray plate and vinyl label.

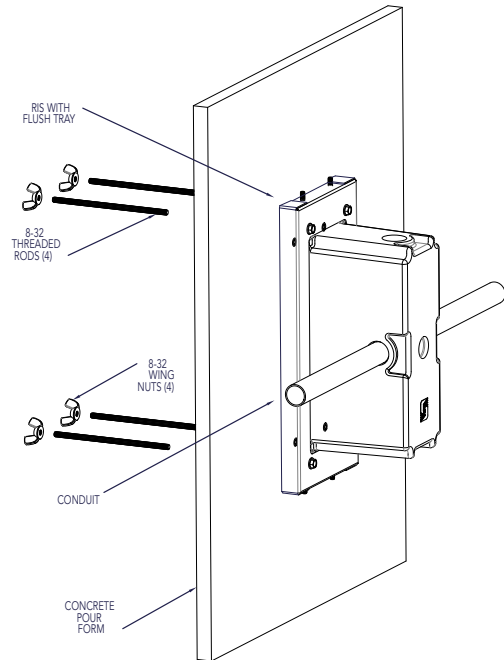


Figure 3

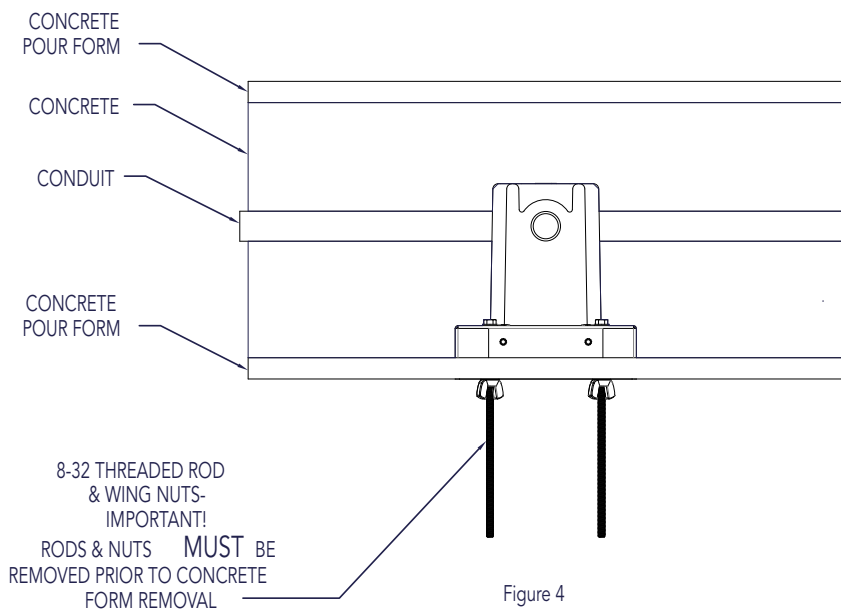


Figure 4

Figure 4

Vista Professional Outdoor Lighting reserves the right to modify the design and/or construction of the fixture shown without further notification.



INSTALLATION INSTRUCTIONS

GLASS BORDER 1502,1504 SERIES STEPLIGHTS

OPTIC PACKAGE AND APERTURE INSTALLATION:

1. To prevent electrical shock, turn main power off at circuit breaker.
2. Before continuing, remove vinyl label, temporary cover plate, and internal supports.
3. Using wire nuts (provided), make wire connections of the Performance optic Module (PoP) to the supply conductors.
4. Install Performance optics Module (PoP) to RIS housing using (4) 6-32 screws (provided), making sure gasket is seated properly. Orient PoP correctly to ensure proper light direction.
5. Install Glass Border lens, making sure the gasket is seated properly. Tighten (2) 8-32 screws using 1/8" Allen wrench (provided).

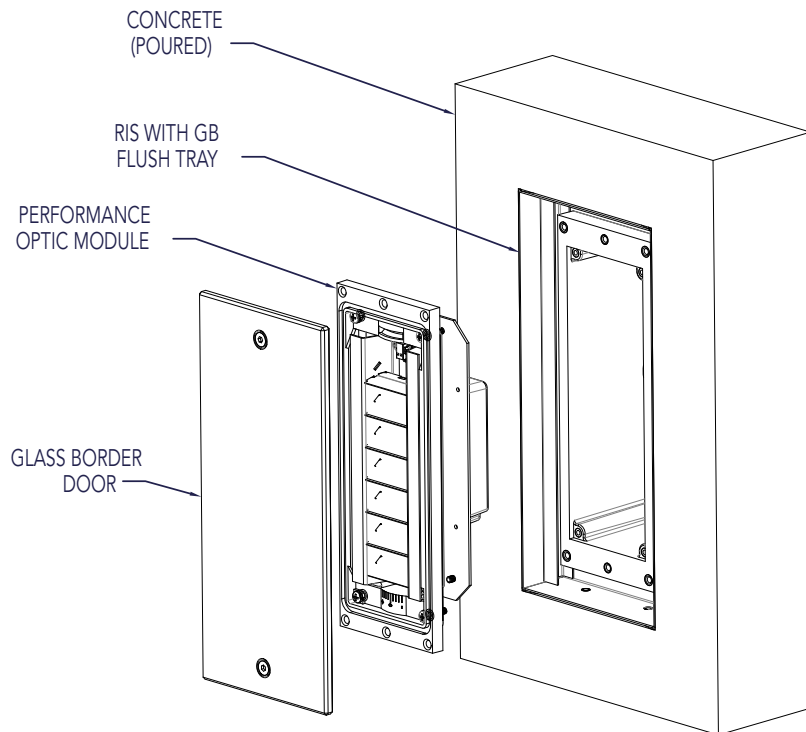
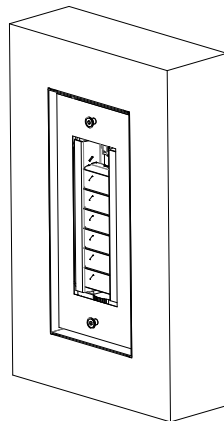


Figure 5



1502, OR 1504 GB SERIES
INSTALLED WITH FLUSH TRAY
IN CONCRETE WALL

Vista Professional Outdoor Lighting reserves the right to modify the design and/or construction of the fixture shown without further notification.