



MODEL **VR11-SS** | Specification Sheet  
Commercial Series • In-Grade • LED

TYPE:  MODEL:   
PROJECT:

**PRODUCT FEATURES**

Wattage	6 – 14 W
Voltage	120 or 277 VAC
Lumens	287 – 1300 Delivered Lumens
Distribution	NEMA type [HxV]: 1x1 (VNS), 1x1 (NS), 4x4 (MF), 5x5 (WF)
CCT	2700K, 3000K, 3500K, 4000K, 5000K
CRI	80 CRI min.
Dimming	0-10V or Phase Cut (TRIAC/ELV-120VAC only) available
Driver	Dual Volt 120 or 277VAC with tri-modal dimming capabilities
Dimensions	7¼" DIA x 3¾" D



**ORDERING INFORMATION**

EXAMPLE: VR11-SS-SS-MF-27-B-DV-CX-PCT-TO10

MODEL	DOOR	FINISH	DIST	TEMP	LUMENS	VOLTAGE	LENS	DIMMING	ACC
VR11	SS	SS				DV	CX		

MODEL	DOOR COVER	FINISH	DISTRIBUTION	COLOR TEMP																									
VR11	SS Stainless Steel	SS Stainless Steel	<b>VNS</b> Very Narrow Spot <b>NS</b> Narrow Spot <b>MF</b> Medium Flood <b>WF</b> Wide Flood	<b>27</b> 2700K <b>30</b> 3000K <b>35</b> 3500K <b>40</b> 4000K <b>50</b> 5000K																									
	<b>NOTES</b> Powder Coated Aluminum Door Cover option available. See VR11-AL specification.																												
DELIVERED LUMENS	VOLTAGE	LENS	DIMMING	ACCESSORIES																									
<table border="1"> <tr> <td></td> <td>VNS</td> <td>NS</td> <td>MF</td> <td>WF</td> </tr> <tr> <td><b>B</b></td> <td>287</td> <td>455</td> <td>564</td> <td>569</td> </tr> <tr> <td><b>C</b></td> <td>511</td> <td>777</td> <td>908</td> <td>903</td> </tr> <tr> <td><b>D</b></td> <td>588</td> <td>912</td> <td>1043</td> <td>1084</td> </tr> <tr> <td><b>E</b></td> <td>646</td> <td>1093</td> <td>1241</td> <td>1300</td> </tr> </table>		VNS	NS	MF	WF	<b>B</b>	287	455	564	569	<b>C</b>	511	777	908	903	<b>D</b>	588	912	1043	1084	<b>E</b>	646	1093	1241	1300	<b>DV</b> Dual Volt (120 or 277VAC)	<b>CX</b> Crowned Clear	<b>ND</b> Non Dimming (B,C,D,E Delivered Lumens) <b>010</b> 0-10V (E Delivered Lumens only) <b>PCT</b> Phase Cut (TRIAC/ELV-120VAC only) (E Delivered Lumens only)	<b>T05</b> Tilt Optic 5° <b>T010</b> Tilt Optic 10° <b>T015</b> Tilt Optic 15° <b>DF</b> Diffuse Filter <b>LSF</b> Linear Spread Filter
	VNS	NS	MF	WF																									
<b>B</b>	287	455	564	569																									
<b>C</b>	511	777	908	903																									
<b>D</b>	588	912	1043	1084																									
<b>E</b>	646	1093	1241	1300																									



PROFESSIONAL  
OUTDOOR LIGHTING

www.VistaPro.com • email@vistapro.com • Fax: (888) 670-VISTA (8478)  
1625 Surveyor Avenue • Simi Valley, CA 93063 • (805) 527-0987 • (800) 766-VISTA (8478)

Vista Professional Outdoor Lighting reserves the right to modify the design and/or construction of the fixture shown without further notification.



## SPECIFICATIONS

### DESCRIPTION:

The VR11 retrofit kit is designed as an LED conversion kit for all models of Vista's 1100 Series ingrade fixtures. The retrofit kit includes a rotatable, tiltable aiming assembly mounted onto a factory sealed LED module with integrated driver, which is fully potted and thermally protected.

### DOOR:

Machined and passivated 304 Stainless Steel.  
Stainless steel fasteners.

### FIXTURE HOUSING:

Injection-molded, glass-reinforced polymer. Unibody construction allows for superior door and optic housing support. Standard with two 1/2" NPT side tapped holes. 1/2" NPT bottom and 3/4" NPT bottom conduit entry holes optional without side holes.

### OPTIC/DRIVER HOUSING:

TYPE III hard anodized/powder coat Die-cast A360 aluminum. Optic and driver compartment separately sealed while being electrically connected. Driver compartment houses electronic LED driver. Driver compartment is completely epoxy potted to protect electronics from moisture.

### LED:

Performance COB LED available in various color temperatures.  
6 – 14 Watts.  
287-1300 Delivered Lumens

### COLOR TEMPERATURE:

2700K, 3000K, 3500K, 4000K or 5000K CCT White.

### COLOR RENDERING:

80 CRI minimum

### OPTICS/AIMING:

TIR/Reflectorized optics designed for maximum performance and uniformity. Fixture aiming achieved via a series of mechanical rotatable and tilt bracketry. Additional tilt optic lenses available.

### LENS:

3/8" thick tempered pressed clear glass.

### ACCESSORIES:

Tilt Optic 5° **TO5**, Tilt Optic 10° **TO10**, Tilt Optic 15° **TO15** and Linear Spread Filter **LSF** available.

### WIRING:

Prewired with 150° C-rated wire.

### MOUNTING:

Module affixed to stamped and powder coated aluminum bracketry. Mounting is 360° rotatable, ± 15° tiltable from vertical (both ways). Secured to 1100 Series housing with two brass thumb screws.

### CERTIFICATIONS | STANDARDS | COMPLIANCE:

- UL Certified for wet locations (USA & Canada) | (UL)
- Ingress Protection Rating: **IP67**
- Buy American Act (**BAA**)
- Build America, Buy America Act (**BABA**)

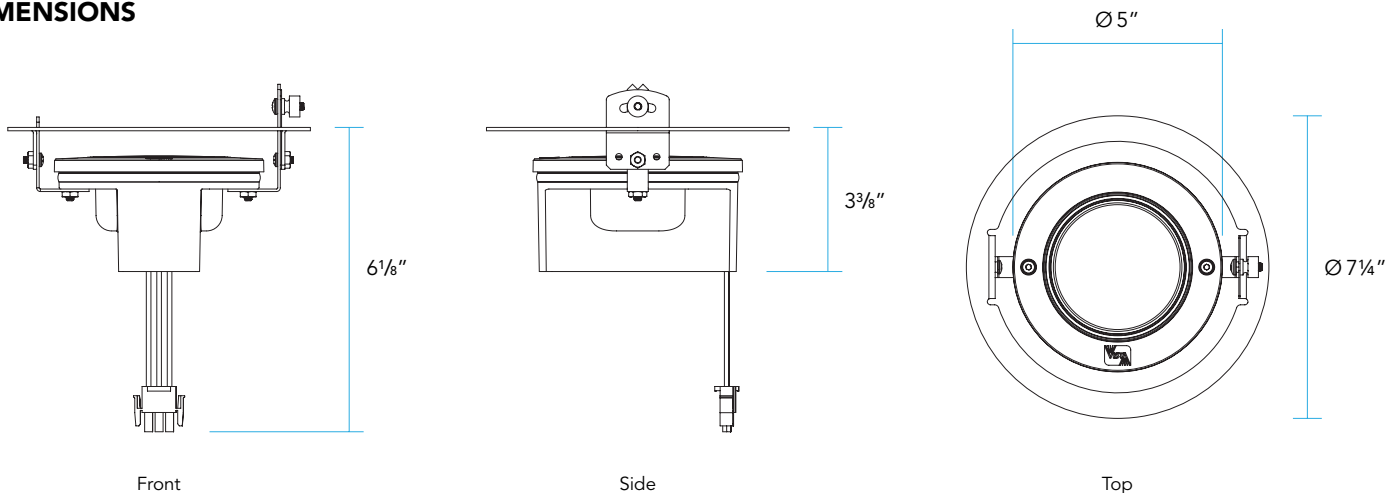
### DRIVER:

Dual-Volt **DV** 120V or 277V input equipped with tri-modal dimming capabilities. Start up/Operating Temperature: -10°C to +50°C. Non-dimmable, 0-10V and Phase Cut (TRIAC/ELV-120VAC only) options available.

### LIGHT DISTRIBUTION:

Very Narrow Spot **VNS** NEMA 1x1  
Narrow Spot **NS** NEMA 1x1  
Medium Flood **MF** NEMA 4x4  
Wide Flood **WF** NEMA 5x5

## DIMENSIONS





**DELIVERED LUMENS**

BEAM SPREAD	B	C	D	E
Very Narrow Spot VNS	6.4 Watts 287 Lumens	10 Watts 511 Lumens	11.7 Watts 588 Lumens	14 Watts 646 Lumens
Narrow Spot NS	6.3 Watts 455 Lumens	9.9 Watts 777 Lumens	11.7 Watts 912 Lumens	13.8 Watts 1093 Lumens
Medium Flood MF	6.3 Watts 564 Lumens	9.8 Watts 908 Lumens	11.6 Watts 1043 Lumens	14 Watts 1241 Lumens
Wide Flood WF	6.3 Watts 570 Lumens	9.8 Watts 904 Lumens	11.5 Watts 1084 Lumens	14 Watts 1300 Lumens

