



MODEL 5272 | Specification Sheet
Commercial Series • Low Voltage • In-Grade

TYPE: MODEL:

PROJECT:

PRODUCT FEATURES



Wattage	4.5 W or 5.5 W
Voltage	9 – 15 VAC
Lumens	295 or 389 Lumens
Lamp Type	MR-16 LED
Housing	Injection-Molded Polymer
Dimensions	5" DIA x 4¾" D



ORDERING INFORMATION

EXAMPLE: **GW-5272-B-4.5-W-36-CFR**

CATEGORY	MODEL	FINISH	LED	ACCESSORIES
	5272			

CATEGORY	MODEL	FINISH	LED	ACCESSORIES
GW In-Grade	5272	B Black	BR Architectural Brick	G Verde
CM In-Grade Conduit Mount		Z Architectural Bronze	LZ Light Bronze	P Pewter
		DZ Dark Bronze	SB Special Bronze	M Mocha
		GT Granite	GG Glossy Gray	OF Olde Finish
		W White	R Rust	
			HG Hunter Green	
			WB Weathered Bronze	
			WI Weathered Iron	
			GM Graphite Metallic	

LED	ACCESSORIES	ORDERING NOTES
4.5-W-15 4.5 Watts Warm 15° Narrow Spot	CFR Crowned Frosted Lens	
4.5-W-25 4.5 Watts Warm 25° Spot	CBL Crowned Cool Blue Lens	
4.5-W-36 4.5 Watts Warm 36° Flood	SL Flat Spread Lens	
4.5-W-60 4.5 Watts Warm 60° Wide Flood	DBL Flat Dark Blue Lens	
5.5-W-15 5.5 Watts Warm 15° Narrow Spot	GL Flat Dark Green Lens	
5.5-W-25 5.5 Watts Warm 25° Spot	RL Flat Red Lens	
5.5-W-36 5.5 Watts Warm 36° Flood	YL Flat Amber Lens	
5.5-W-60 5.5 Watts Warm 60° Wide Flood	HL Honeycomb louver	
NL No Lamp		



**PROFESSIONAL
OUTDOOR LIGHTING**

www.VistaPro.com • email@vistapro.com • Fax: (888) 670-VISTA (8478)
1625 Surveyor Avenue • Simi Valley, CA 93063 • (805) 527-0987 • (800) 766-VISTA (8478)

Vista Professional Outdoor Lighting reserves the right to modify the design and/or construction of the fixture shown without further notification.



SPECIFICATIONS

HOUSING CONSTRUCTION:

Injection-molded glass-reinforced polymer.

LENS COVER CONSTRUCTION:

Injection-molded glass-reinforced polymer.

FINISH:

Powder coat finish available in Black, Architectural Bronze, Dark Bronze, Granite, White, Architectural Brick, Light Bronze, Special Bronze, Glossy Gray, Rust, Hunter Green, Weathered Bronze, Weathered Iron, Graphite Metallic, Verde, Pewter, Mocha and Olde Finish.

LENS:

Clear, tempered glass lens.
Optical effect lenses are available.

OPTICS/AIMING:

Adjustable lamp bracket provides up to $\pm 25^\circ$ of tilt as well as 360° rotation of housing for precise beam control. Lamp bracket can be locked into place to prevent disrupting lamp position when relamping.

MOUNTING:

In-grade. Mounting accessories not required.
Conduit mount fixtures have two $\frac{3}{4}$ " NPT inlets on bottom.
Optional concrete mounting kit available.

FASTENERS:

All fasteners are stainless steel.

WIRING:

Prewired with a 36" pigtail of 18-2 direct-burial cable and underground connectors.

CERTIFICATIONS | STANDARDS | COMPLIANCE:

- UL Certified for wet locations (USA & Canada) | (UL 1838)
- Buy American Act (BAA)
- Build America, Buy America Act (BABA)

LED:

MR-16 LED Lamp.
295 or 389 Lumens.
4.5 or 5.5 Watts.

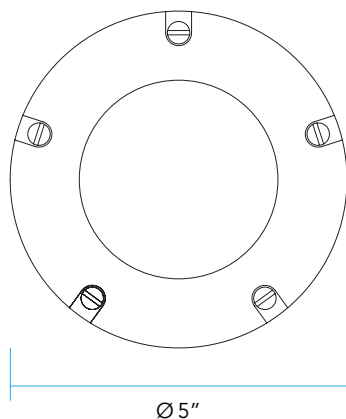
ELECTRICAL:

Input voltage range 9 - 15 VAC.
Low voltage transformer required to operate (sold separately).

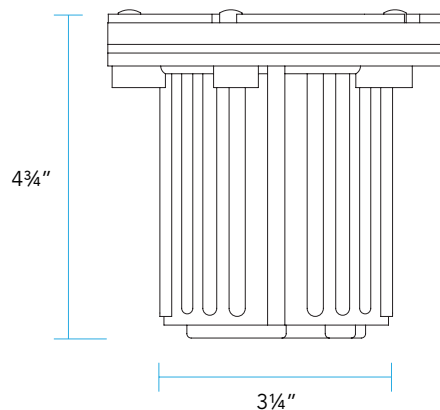
LIGHT DISTRIBUTION:

Very Narrow Spot **15** (15°)
Narrow Spot **25** (25°)
Medium Flood **36** (36°)
Wide Flood **60** (60°)

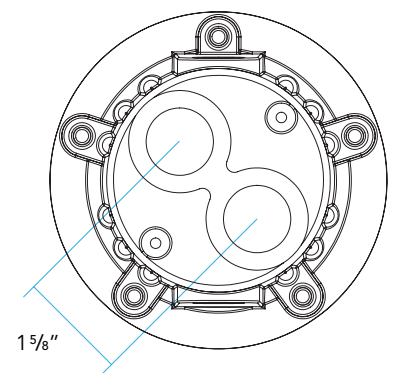
DIMENSIONS



Top



Side



Bottom

[conduit mount (CM) option shown]

