



MODEL RIS – 1501 | Specification Sheet
Commercial Series • Rough-In Section

TYPE: MODEL:

PROJECT:

PRODUCT FEATURES



Material Injection-molded Polymer

Wall Requirement Suitable for 2" x 4" walls



Associated Fixtures	1501-AB 1501-AL 1501-BB	1501-BL2 1501-BW 1501-SW	1501-SB 1501-SL2 1501-SL3 1501-GB
---------------------	-------------------------------	--------------------------------	--

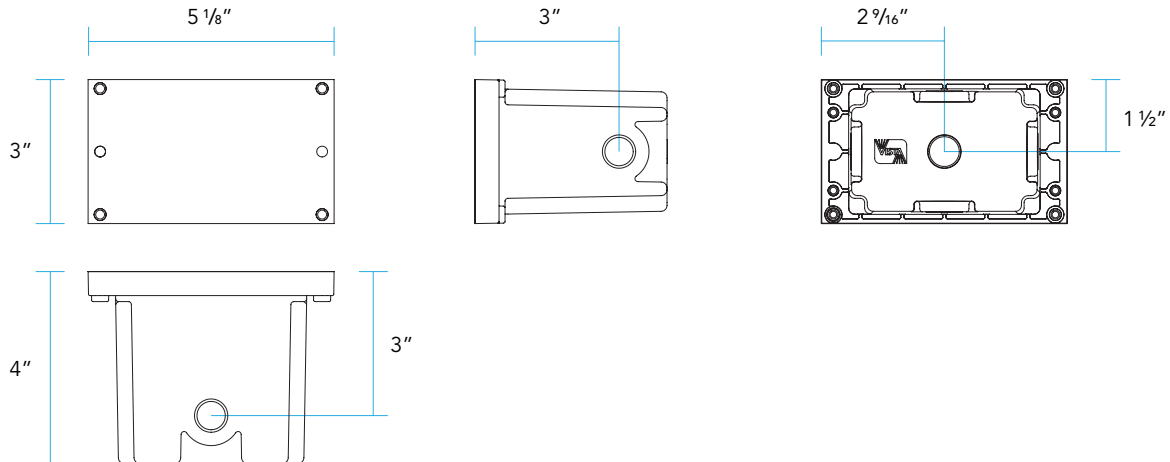
DESCRIPTION

The 1501 Series Rough-In Section (RIS) is a injection-molded fiber-reinforced polymer Rough-in housing with threaded brass inserts. Four 1/2" NPT conduit entry hubs with knockout membrane standard.

The housing can be installed in poured concrete or block construction, as well as drywall IC and non-IC walls.

1501 door cover will sit proud of finished surface by 5/8". For a flush door cover appearance, the Flush Tray (FT) mounting accessory must be used.

DIMENSIONS



**PROFESSIONAL
OUTDOOR LIGHTING**

www.VistaPro.com • email@vistapro.com • Fax: (888) 670-VISTA (8478)
1625 Surveyor Avenue • Simi Valley, CA 93063 • (805) 527-0987 • (800) 766-VISTA (8478)

Vista Professional Outdoor Lighting reserves the right to modify the design and/or construction of the fixture shown without further notification.