



INSTALLATION INSTRUCTIONS

IMPORTANT NOTE:

- Luminaire must be installed and grounded in accordance of the National Electrical Code (NEC) and local codes.
- Luminaire is UL listed for above grade installation only.
- Always use UL recognized wire connectors for connections.

MAINTENANCE: To assure proper operation and efficiency and to prevent luminaire overheating, lens must be kept clean and free of dirt, dust, leaves, trash and mineral deposits from water. A regular schedule maintenance program is recommended.

SAFETY WARNING: Luminaire can become very hot depending on the lamp wattage used. Lens and housing around the lamp can become hot enough to blister hands. Particular care should be taken not to locate luminaires where small children can reach them if high wattage lamps are used.

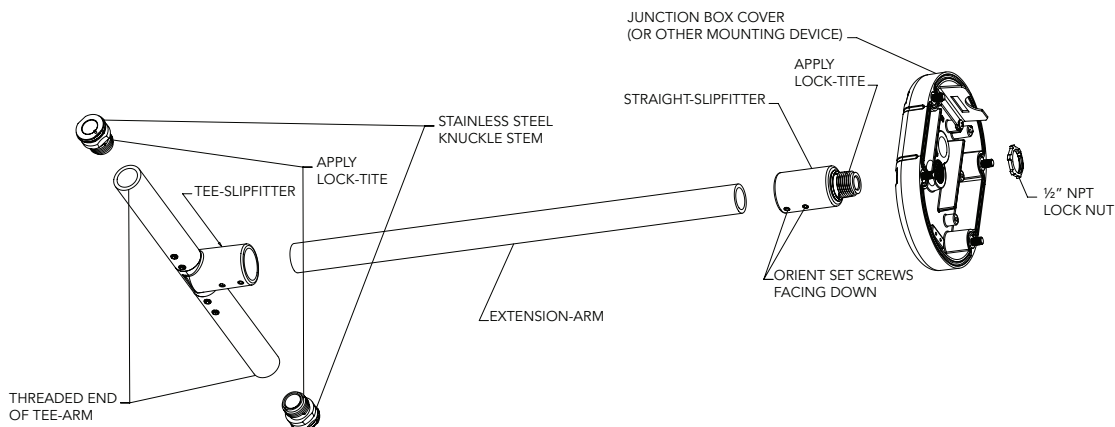
NOTE: Save these instructions for future reference.

LUMINAIRE MOUNTING (Infinity Knuckle):

1. Make sure electrical power supply is off at the circuit breaker before starting luminaire installation or servicing luminaire.

Note: Use single tube of provided Lock-tight for steps 2 & 3.

2. Using the Lock-tight provided on the threads, completely thread the stainless steel knuckle stems into the threaded end, or 90° Slip-Fitter, of the two (2) Tee-Arm Extensions. Firmly secure using a 15/16" open end wrench or crescent wrench.
3. Using the lock-tight provided on the threads, install the 1/2" NPT thread of the Straight-Slipfitter into the junction box cover (or other mounting device). **Ensure that the two (2) set screws of the Straight-Slipfitter will be facing down when the cover is installed.** Use the 1/2" NPT lock nut (provided) on the reverse side of the box cover to lock the position of the Straight-Slipfitter until the lock-tight has completely cured.

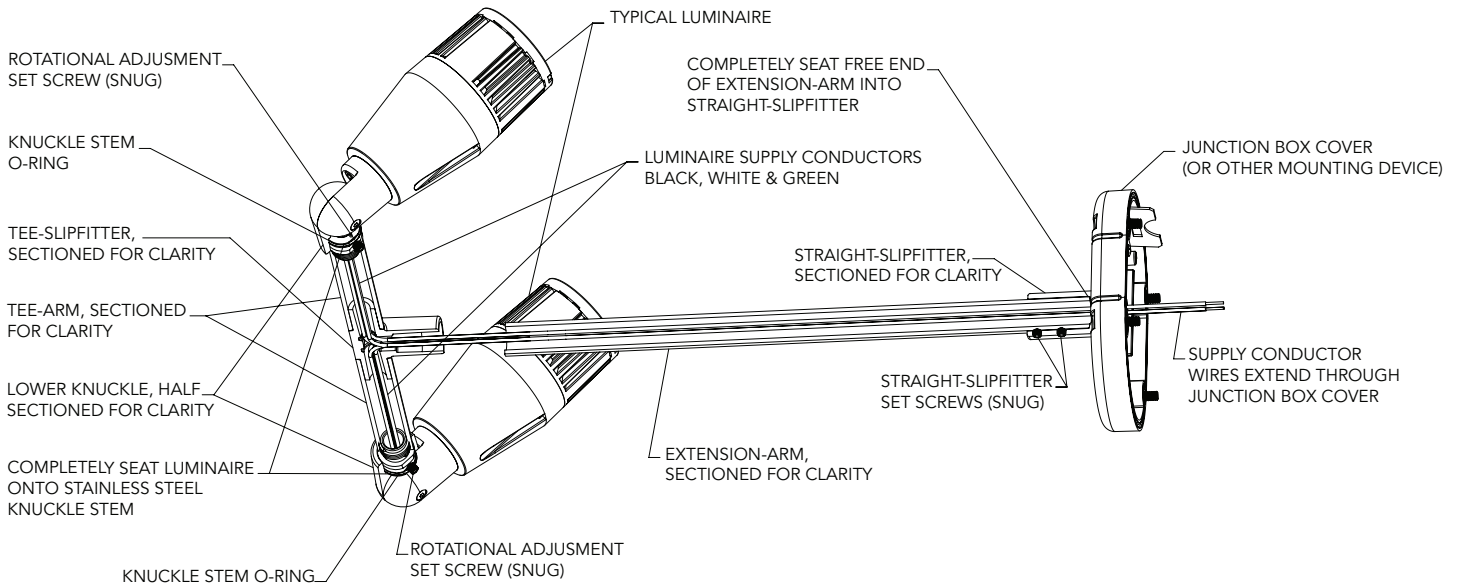


4. Route the luminaire supply conductors (one set per fixture) through each of the stainless steel knuckle stems, through the Tee-Arm Extensions, and out of the center socket of the Tee-Slipfitter.
5. **To prevent damage to the knuckle stem o-rings, ensure that the points of the rotational adjustment set screws are not extending past the inside walls of the infinity knuckle. Loosen if necessary but do not completely disengage.**
6. Seat the two (2) luminaires completely onto the stainless steel knuckle stems and snug rotational adjustment set screws.
7. Route the luminaire supply conductors (one set per fixture) through and out of the opposite end of the Extension-Arm.
8. Seat the end of the Extension-Arm, nearest the Extension-Tee, completely into the center socket of the Tee-Slipfitter. **Firmly tighten the two (2) set screws of the Tee-Slipfitter.**
9. Route the luminaire supply conductor wires (one set per fixture) of the luminaire/Tee-Arm assembly through the Straight-Slipfitter and junction box cover (or other mounting device), and completely seat the free end of the Extension Arm into the socket end of the Straight-Slipfitter.
10. In reference to the junction box cover (or other mounting device), orient the luminaire/Tee-Arm assembly into its approximate desired position and snug the two (2) set screws of the Straight-Slipfitter – **Do not over-tighten as you may want to re-adjust the final orientation after the junction box cover (or other mounting device) is secured to the wall.**
11. Attach the luminaire supply conductor to line-in leads observing polarity, black to line, white to neutral, and green to ground using the silicone filled safety wire connectors (provided).
12. Attach the junction box cover (or other mounting device) with Extension-Arm/luminaire assembly onto the junction box hanging on the wall. Make sure not to pinch wires that may be sandwiched between the cover and box.

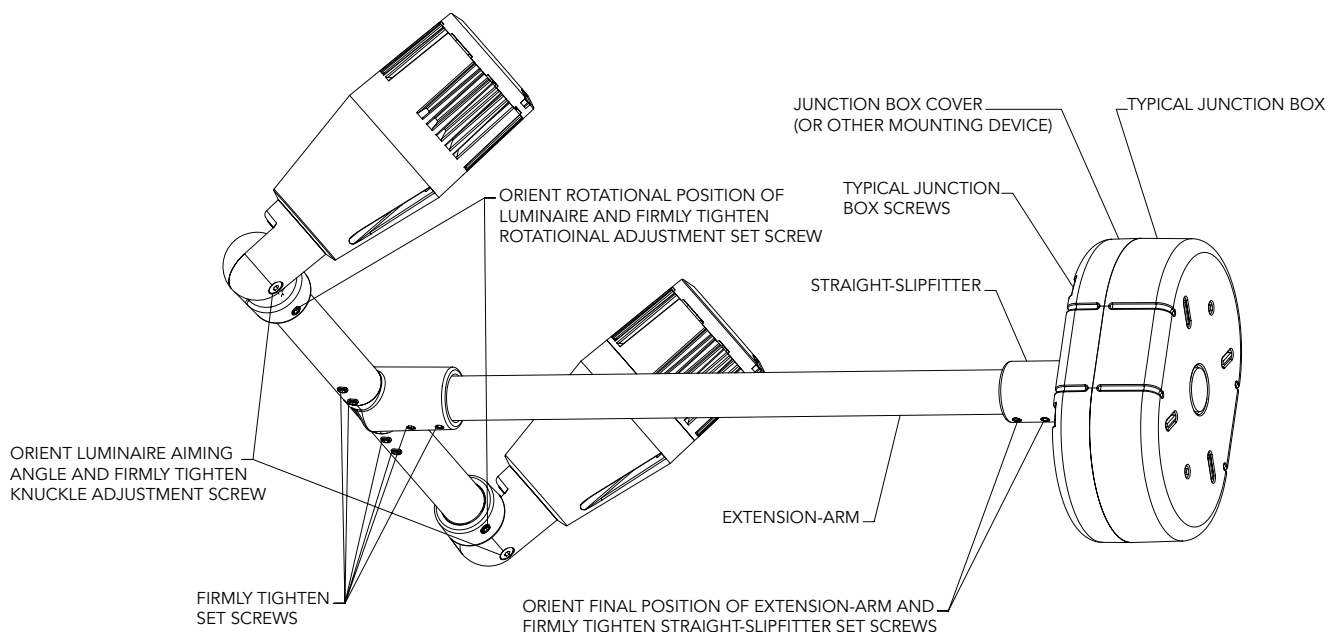
Vista Professional Outdoor Lighting reserves the right to modify the design and/or construction of the fixture shown without further notification.



INSTALLATION INSTRUCTIONS



13. Orient the final positioning of the Tee-Arm by holding the Tee-Arm and slightly loosening the two (2) set screws on the underside of the Straight-Slipfitter. Rotate the Tee-Arm to the desired position and firmly tighten the two (2) set screws.
14. To adjust the Luminaire rotational direction, hold fixture head and loosen rotational adjustment set screw. Rotate fixture to desired position and firmly tighten set screw.
15. To Adjust the Luminaire aiming angle, hold fixture head and loosen knuckle adjustment screw. **Do not disengage completely.** Hold luminaire at selected angle and firmly tighten screw.
16. Coat all exposed screws with silicone grease.
17. Supply electrical power to the luminaire and check for proper aiming/operation. Adjust if required.



Vista Professional Outdoor Lighting reserves the right to modify the design and/or construction of the fixture shown without further notification.