



INSTALLATION INSTRUCTIONS

IMPORTANT NOTE:

- Luminaire must be installed and grounded in accordance with the National Electrical Code (NEC) and local codes.
- All conduit entries must be sealed from moisture. Use appropriate sealing material on conduit fittings and conduit closure plugs.
- Luminaire is wet location listed and suitable for mounting in-grade.
- Suitable for all types of construction including poured concrete construction and in-soil construction.

WARNING: Debris must be kept clear from top and interior of in-grade fixtures. Excessive heat could occur that may create a fire hazard and/or harm the fixture components. Specific attention must be made to never install in-grade fixtures in mulch, wood chips, or other potentially ignitable materials. Failure to do so will void warranty and may result in serious injury and/or damage the fixture and/or property.

MAINTENANCE: To assure proper orientation and efficiency and to prevent luminaire overheating, lens must be kept clear of debris, dirt, leaves, trash and mineral deposits from water. A regular schedule maintenance program is recommended.

NOTE: Save these instructions for future reference.



IN-GRADE SOIL INSTALLATION:

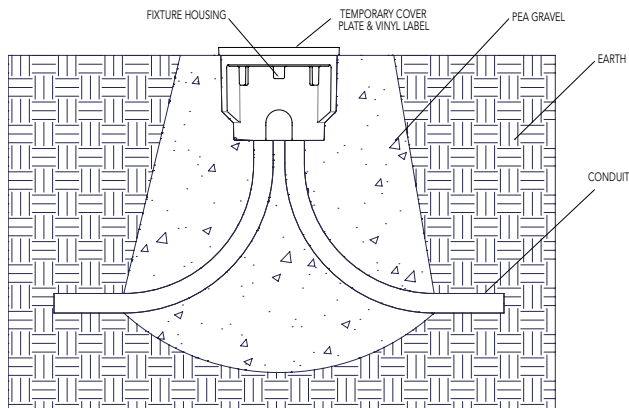
IMPORTANT NOTE: Temporary cover plate and vinyl label must remain in place during housing installation.

PRECAUTION: Adequate drainage must be provided during installation. It is recommended the luminaire be surrounded by 3" to 4" of pea gravel along the sides and minimum of 6" of pea gravel at the bottom and beneath the luminaire housing. Top of the luminaire must be above grade so rain and irrigation water will not accumulate for long periods of time.

1. To prevent electrical shock, turn main power off at circuit breaker.
2. Dig a hole approximately 12" in diameter to a depth suitable to make top of temporary cover plate 3/4" above grade (see figure 1). Pea gravel is required for seating the luminaire housing and providing necessary drainage.
3. Connect conduit to housing. UL listed flexible conduit is recommended for in and out connections to ease fixture positioning.

IMPORTANT NOTE: If conduit, of the rigid metallic type, is connected to the enclosure housing, the hub (by others) shall be connected to the conduit before the hub is connected to the enclosure housing.

4. Plug and unused NPT holes with closure plugs (provided).
5. Position fixture within the hole and back fill with pea gravel. Only the uppermost layer, 3" maximum, should be soil or organic mulch.
6. To pull supply conductor wiring, first remove and retain the Temporary Cover Plate and Plate Screws by piercing through the label at the screws locations to access the screws.
7. Pull electrical supply wires (line in) through conduit opening. Stuff the wire loop back through the conduit opening (line out).
8. Reinstall the Temporary Cover Plate and Vinyl Label using the cover screws.



CONCRETE POUR INSTALLATION:

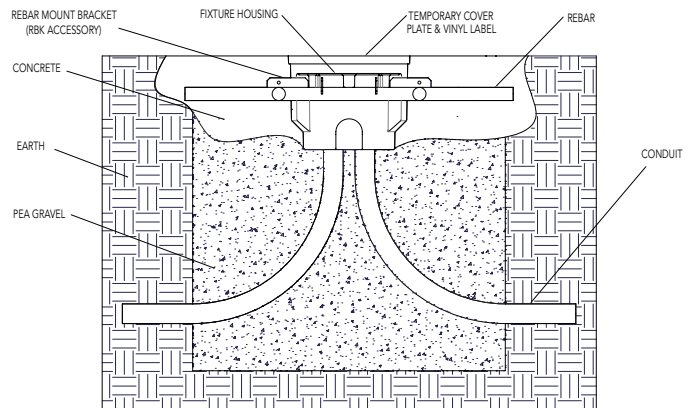
IMPORTANT NOTE: Temporary cover plate and vinyl label must remain in place during housing installation.

PRECAUTION: Adequate drainage must be provided during installation. It is recommended the luminaire be surrounded by 3" to 4" of pea gravel along the sides and minimum of 6" of pea gravel at the bottom and beneath the luminaire housing. Top of the luminaire must be FLUSH with finished grade.

1. To prevent electrical shock, turn main power off at circuit breaker.
2. Dig a hole approximately 12" in diameter to a depth suitable to make top of temporary cover plate FLUSH with finished grade (see figure 2). Pea gravel is required for seating the luminaire housing and providing necessary drainage.
3. Connect conduit to housing. UL listed flexible conduit is recommended for in and out connections to ease fixture positioning.

IMPORTANT NOTE: If conduit, of the rigid metallic type, is connected to the enclosure housing, the hub (by others) shall be connected to the conduit before the hub is connected to the enclosure housing.

4. Plug and unused NPT holes with closure plugs (provided).
5. Position fixture within the hole and back fill with pea gravel. The uppermost layer, 6" minimum, should be left for poured concrete.
6. To keep housing from floating during the concrete pour, the Rebar Mount Bracket (RMB) accessory should be used to affix the housing to wire/rebar grid using standard masonry methods.
7. To pull supply conductor wiring, first remove and retain the Temporary Cover Plate and Plate Screws by piercing through the label at the screw locations to access the screws.
8. Pull electrical supply wires (line in) through conduit opening. Stuff the wire loop back through the conduit opening (line out).
9. Reinstall the Temporary Cover Plate and Vinyl Label using the cover screws.
10. Pour the concrete at least 3" thick. Trowel concrete so it is even with the vinyl label. Allow concrete to cure.



Vista Professional Outdoor Lighting reserves the right to modify the design and/or construction of the fixture shown without further notification.

1181

ROUGH-IN SECTION ORIENTATION

See critical orientation of Rough-In Section below to have light output be properly aimed.

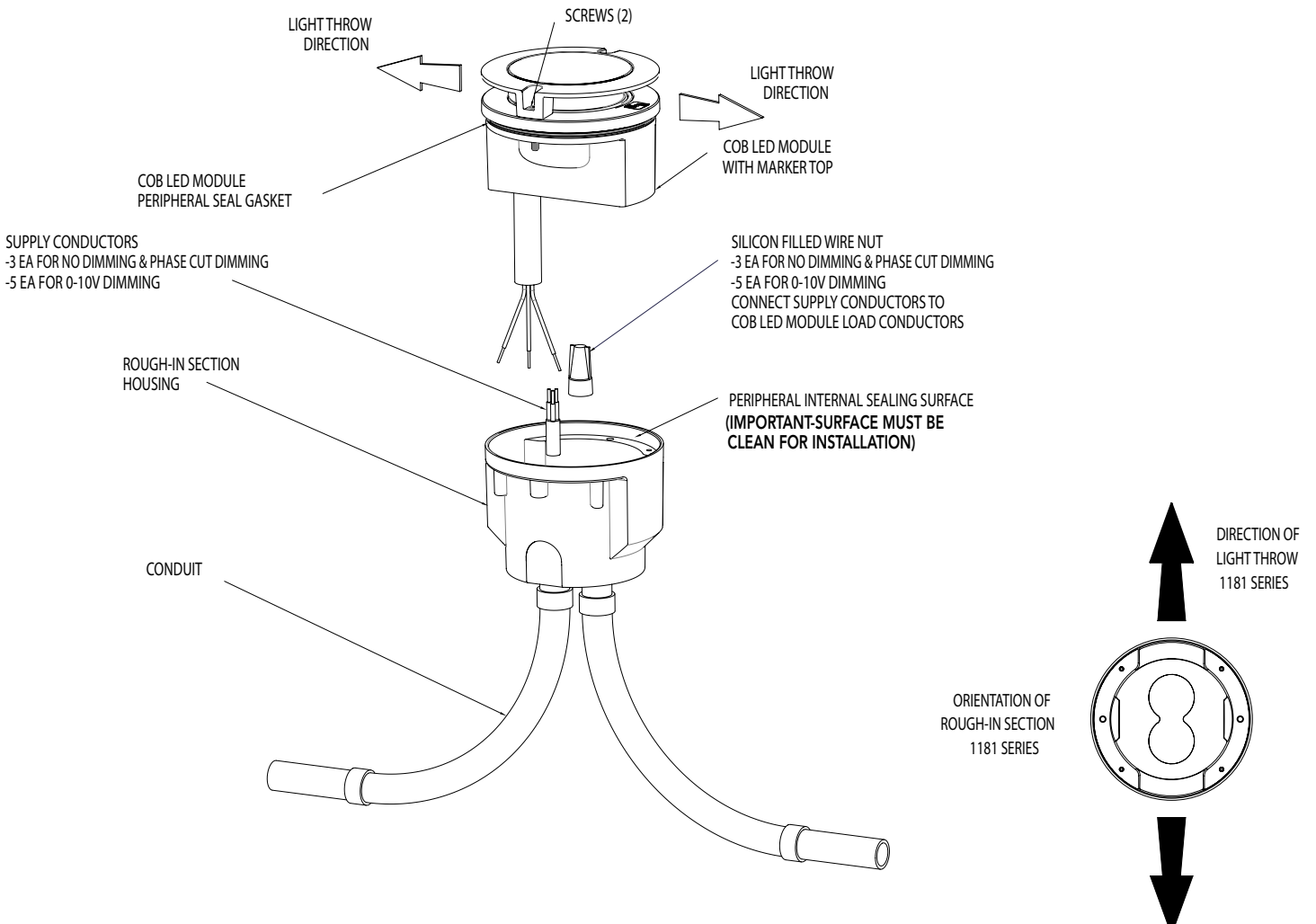
COB LAMP MODULE INSTALLATION:

1. To prevent electrical shock, turn main power off at the main circuit.
2. Remove Temporary Cover Plate with Vinyl Label. Recycle or discard Cover Plate.
3. If a Stainless Steel Trim Ring (STR) is to be used, follow the supplementary instructions supplies with STR accessory.
4. Using silicon filled wire nuts (provided), connect the Supply Conductors from the incoming service to the load conductors of the COB Module noting the following polarity:

Supply (+) to Load (Black)
Supply (-) to Load (White)
Supply (Ground) to load (Green)

If 0-10V dimming is used:
Dimming supply (+) to Dimming Load (Purple)
Dimming supply (-) to Dimming Load (Grey)

5. **Ensure that the peripheral internal sealing surface of the Rough-In Section housing is clean & free of debris. Wipe clean with a moist cloth or towel if necessary.**
6. Orient the Marker COB Module for proper light output (when half shield used, light is emitted from the logo side of the optic housing).
7. Fully insert the COB Lamp Module into the Rough-In Section, taking care not to pinch any supply conductors or dislodging the peripheral module seal gasket.
8. Tighten the two captive module screws fully. **DO NOT OVERTIGHTEN.**
9. Supply power to the luminaire and check for proper operation.



Vista Professional Outdoor Lighting reserves the right to modify the design and/or construction of the fixture shown without further notification.

1182

COB LAMP MODULE INSTALLATION:

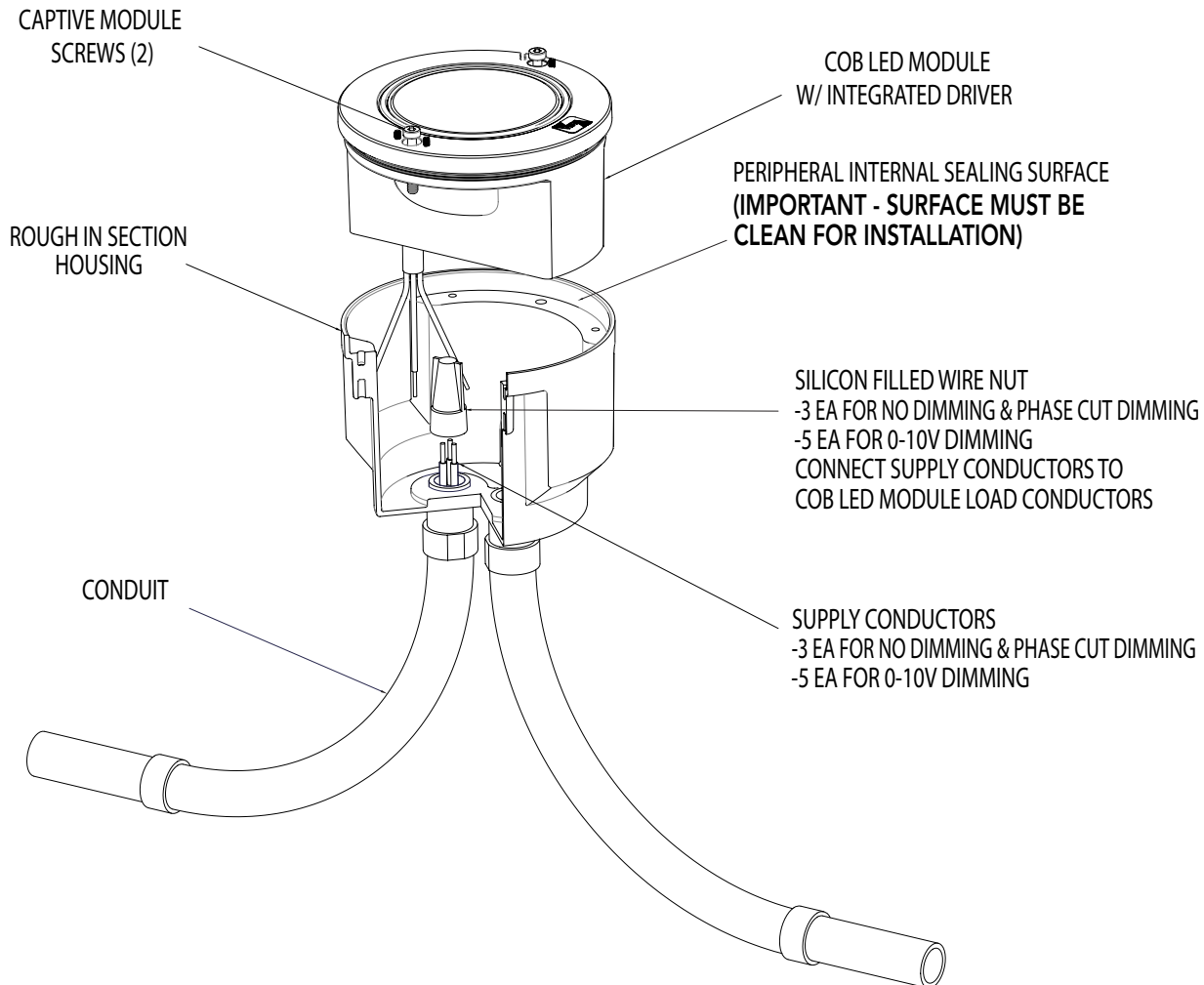
1. To prevent electrical shock, turn main power off at the main circuit.
2. Remove Temporary Cover Plate with Vinyl Label. Recycle or discard Cover Plate.
3. If a Stainless Steel Trim Ring (STR) is to be used, follow the supplementary instructions supplies with STR accessory.
4. Using silicon filled wire nuts (provided), connect the Supply Conductors from the incoming service to the load conductors of the COB Module noting the following polarity:

Supply (+) to Load (Black)
Supply (-) to Load (White)
Supply (Ground) to load (Green)

If 0-10V dimming is used:

Dimming supply (+) to Dimming Load (Purple)
Dimming supply (-) to Dimming Load (Grey)

5. **Ensure that the peripheral internal sealing surface of the Rough-In Section housing is clean & free of debris. Wipe clean with a moist cloth or towel if necessary.**
6. Fully insert the COB Lamp Module into the Rough-In Section, taking care not to pinch any supply conductors or dislodging the peripheral module seal gasket.
7. Tighten the two captive module screws fully. **DO NOT OVERTIGHTEN.**
8. Supply power to the luminaire and check for proper operation.



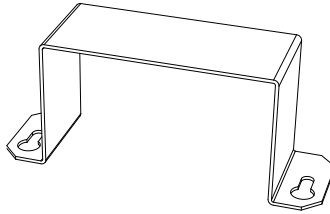
Vista Professional Outdoor Lighting reserves the right to modify the design and/or construction of the fixture shown without further notification.



MODULE REMOVAL

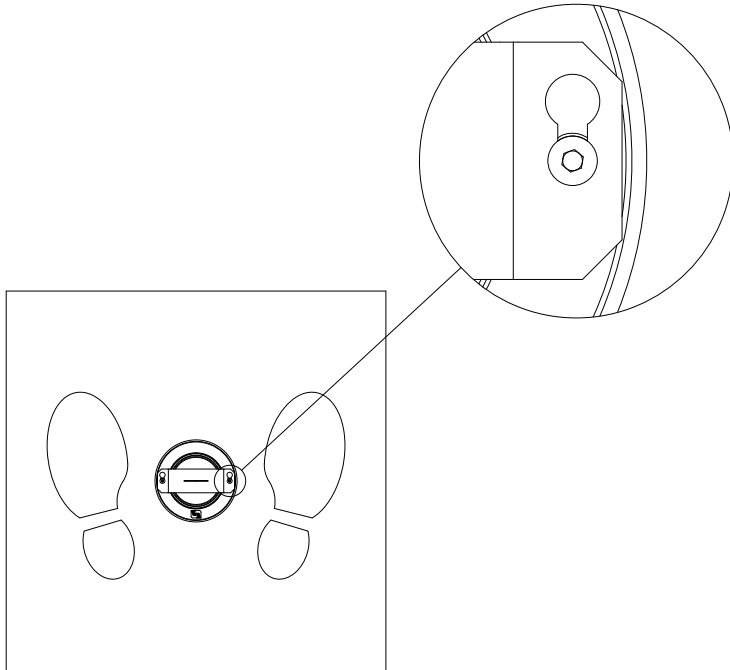
1182 LAMP MODULE PULLER

Retain for future use to remove lamp module from fixture housing.

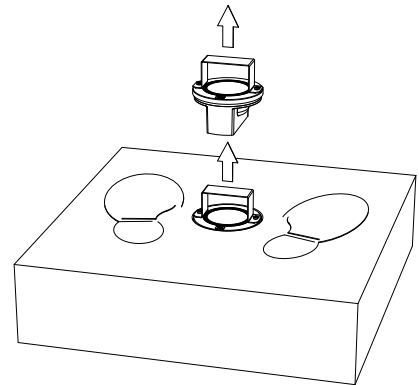


INSTRUCTIONS TO REMOVE LAMP MODULE:

1. Completely loosen and lift up on the 2 screw heads of the lamp module.
2. Pass the 2 screw heads through the holes in the lamp module puller and hook the screw heads into the narrow slots of the puller.
3. To remove the lamp module, position your feet on both sides of the fixture and firmly lift straight up (Do not turn).



Steps 1 & 2



Step 3