



MODEL 1505 | Window | Specification Sheet
Commercial Series • Step & Marker • LED

TYPE: MODEL:

PROJECT:

PRODUCT FEATURES



| | |
|--------------|------------------------------------------------------|
| Wattage | 17 W |
| Voltage | 120 – 277 VAC |
| Lumens | 740 Delivered Lumens |
| Distribution | Forward Throw with ± 15° of Adjustment |
| CCT | 2700K, 3000K, 3500K, 4000K |
| CRI | 80 CRI min. |
| Dimming | 0-10V or Phase Cut (TRIAC/ELV-120VAC only) available |
| Driver | Constant current Class 2 Output |
| Dimensions | 12¼" W x 3¼" H x 4⅝" D |

ORDERING INFORMATION

EXAMPLE: 1505-BW-BSN-27-MV-PCT-CP-ER-1505-1

| MODEL | DOOR COVER | FINISH | COLOR TEMP | VOLTAGE | DIMMING | HOUSING | MOUNTING | ACCESSORIES |
|-------|------------|--------|------------|---------|---------|---------|----------|-------------|
| 1505 | | | | MV | | CP | | |

| MODEL | DOOR COVER | FINISH | COLOR TEMP | VOLTAGE |
|-------------------------------------------------|----------------------------------|-----------------------------|-------------------------------------------------------------------------------------------------------------------------------------------------|---------------------------------------------------------------------------------------------------------------------------|
| 1505 | BW Brass Window | SS Stainless Steel * | 27 2700°K | MV Multi Volt |
| | SW Stainless Steel Window | BSN Natural Brass ** | 30 3000°K | |
| | | BSO Olde Brass ** | 35 3500°K | |
| | | | 40 4000°K | |
| | | | AMB 595 nm | |
| DIMMING | HOUSING | MOUNTING | ACCESSORIES | ORDERING NOTES |
| ND Non Dimming | CP Composite | FT Flush Tray *** | ER-1505-1 (1 Extension Ring) ER-1505-2 (2 Extension Rings) ER-1505-3 (3 Extension Rings) DF1 Diffuser Film | * Stainless Steel Doors only. ** Brass Doors only. *** Flush tray optional. No code required for standard mounting. |
| 010 0-10V | | | | |
| PCT Phase Cut (TRIAC/ELV-120VAC only) | | | | |



PROFESSIONAL
OUTDOOR LIGHTING

www.VistaPro.com • email@vistapro.com • Fax: (888) 670-VISTA (8478)
1625 Surveyor Avenue • Simi Valley, CA 93063 • (805) 527-0987 • (800) 766-VISTA (8478)

Vista Professional Outdoor Lighting reserves the right to modify the design and/or construction of the fixture shown without further notification.



SPECIFICATIONS

HOUSING:

Injection-molded fiber-reinforced polymer Rough-in box with threaded brass inserts. UV stable.

DOOR COVER:

Option of stamped brass or stamped stainless steel.

LENS:

Clear, tempered, shock and heat-resistant soda-lime glass lens.

REFLECTOR:

Extruded aluminum, satin etched. Adjustable $\pm 15^\circ$ from preset 0° position.

MOUNTING:

Rough-in box designed for installation in concrete, brick/block, wood frame construction (non-IC) and insulated walls (IC).

FASTENERS/INSERTS:

All fasteners are stainless steel.

CERTIFICATION:

UL Listed to U.S. & Canadian (cUL) safety standards (UL 1598). Suitable for wet locations. IP66.

LED:

Integrated LED module. 17 Watts and 740 Delivered Lumens.

COLOR TEMPERATURE:

2700°K, 3000°K, 3500°K or 4000°K CCT White.

COLOR RENDERING:

80 CRI minimum

OPTICS/AIMING:

No-glare optics. Hot-aiming adjustable performance optic assembly. 30° of adjustment for precise beam control.

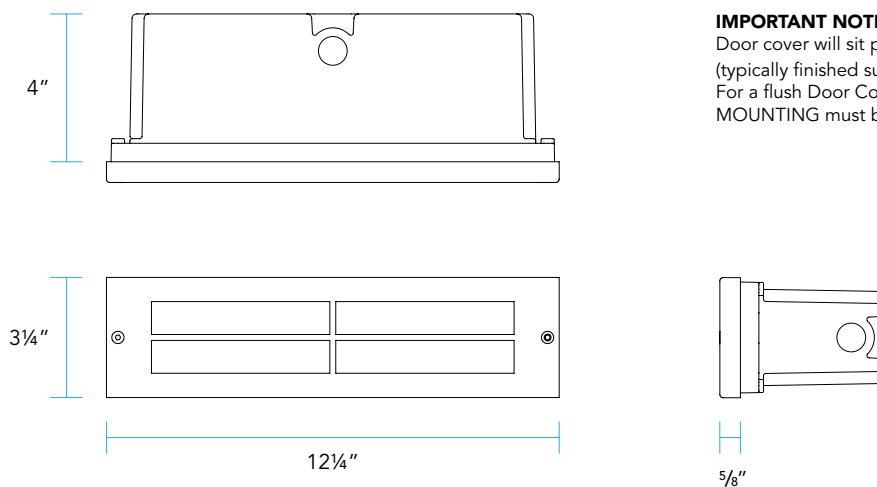
DRIVER:

Integral cUL listed Class 2 LED driver, either non-dimmable ND or dimmable. Dimming: 0-10V and Phase Cut (TRIAC/ELV-120VAC only) options available.

ELECTRICAL:

Universal voltage input (120- 277VAC) Suitable for through branch wiring. Four $\frac{1}{2}$ " NPT conduit entry hubs with knockout membrane standard.

DIMENSIONS



IMPORTANT NOTE:

Door cover will sit proud of front face of Rough-in box (typically finished surface) by $\frac{5}{8}$ ". For a flush Door Cover appearance, the Flush Tray (FT) MOUNTING must be used.

