



MODEL RK94 | Specification Sheet
Commercial Series • In-Grade Retrofit • LED

TYPE: MODEL:

PROJECT:

PRODUCT FEATURES



| | |
|--------------|--|
| Wattage | 15 – 26 W |
| Voltage | 120 – 277 VAC |
| Lumens | 900 – 2000 Delivered Lumens |
| Distribution | NEMA type [H x V]: 2x2 (VNS), 2x2 (NS), 4x4 (MF), 6x6 (WF) |
| CCT | 2700K, 3000K, 3500K, 4000K, 5000K |
| CRI | 80 CRI min. |
| Dimming | 0-10V or Phase Cut (TRIAC/ELV-120VAC only) available |
| Driver | Multi-Volt 120-277VAC with tri-modal dimming capabilities |
| Dimensions | 8 1/2" DIA x 6 1/4" D |



ORDERING INFORMATION

EXAMPLE: *RK94-GM-MF-27-B-MV-CX-PCT-TO10*

| MODEL | FINISH | DIST | TEMP | LUMENS | VOLTAGE | LENS | DIMMING | ACC |
|-------|--------|------|------|--------|---------|------|---------|-----|
| RK94 | | | | | MV | | | |

| MODEL | DOOR FINISH | | | DISTRIBUTION | COLOR TEMP | DELIVERED LUMENS |
|-------|-------------------------------|----------------------------|-----------------------------|-------------------------------|-----------------|---|
| RK94 | B Black | LZ Light Bronze | WI Weathered Iron | VNS Very Narrow Spot * | 27 2700K | A 900 – 1200 B 1200 – 1600 C 1600 – 2000 |
| | Z Architectural Bronze | SB Special Bronze | GM Graphite Metallic | NS Narrow Spot | 30 3000K | |
| | DZ Dark Bronze | GG Glossy Gray | G Verde | MF Medium Flood | 35 3500K | |
| | GT Granite | R Rust | P Pewter | WF Wide Flood | 40 4000K | |
| | W White | HG Hunter Green | M Mocha | | 50 5000K | |
| | BR Architectural Brick | WB Weathered Bronze | OF Olde Finish | | | |

| VOLTAGE | LENS | DIMMING | ACCESSORIES | | ORDERING NOTES |
|--------------------------------------|--|---|---|---|---|
| MV Multi Volt (120 - 277 VAC) | CX Crowned Clear AX Anti Slip Clear | ND Non Dimming 010 0-10V PCT Phase Cut (TRIAC/ELV-120VAC only) | T05 Tilt Optic 5° T010 Tilt Optic 10° T015 Tilt Optic 15° T025 Tilt Optic 25° DF Diffuse Filter LSF Linear Spread Filter RBK Rebar Bracket Kit | STR Stainless Steel Trim Ring HS Half Glare Shield YL Yellow Lens ** RL Red Lens ** BL Blue Lens ** GL Green Lens ** | * RK94-VNS not available with B & C lumen packages. ** Colored Lenses not available with B & C Lumen packages. |



PROFESSIONAL
OUTDOOR LIGHTING

www.VistaPro.com • email@vistapro.com • Fax: (888) 670-VISTA (8478)
1625 Surveyor Avenue • Simi Valley, CA 93063 • (805) 527-0987 • (800) 766-VISTA (8478)

Vista Professional Outdoor Lighting reserves the right to modify the design and/or construction of the fixture shown without further notification.



SPECIFICATIONS

DESCRIPTION:

RK94 LED Retrofit Kit, for use in Hydrel's® single or double lens M9400 series. Retrofit Kit includes factory sealed LED module with integrated driver, fully potted and thermally protected.

DOOR:

TYPE III hard anodized/powder coat Die-cast A360 aluminum. Captive stainless steel fasteners affixed to a ventilated door. Inner vents allow hot air to escape from around optic housing while outer vents allow cool air to enter fixture housing.

OPTIC HOUSING:

TYPE III hard anodized and Thermkote treated Die-cast A360 aluminum. Finned for maximum heat dissipation. Optic and driver compartment separately sealed while being electrically connected.

DRIVER COMPARTMENT:

Injection-molded PPS for maximum corrosion protection. Driver compartment houses electronic LED driver and thermostat which cuts power to fixture in abnormal ambient temperature conditions. Driver compartment is completely epoxy potted to protect electronics from moisture.

DOOR FINISH:

Powder coat finish available in Black, Architectural Bronze, Dark Bronze, Granite, White, Architectural Brick, Light Bronze, Special Bronze, Glossy Gray, Rust, Hunter Green, Weathered Bronze, Weathered Iron, Graphite Metallic, Verde, Pewter, Mocha and Olde Finish. Custom Powder coat finishes available on request.

LENS:

¼" thick tempered pressed clear glass. Optional anti-slip clear lens.

REFLECTOR:

Specular or semi-specular spun aluminum optics, anodized for maximum performance. Very Narrow Spot optic incorporates an additional internal source shield to eliminate unwanted glare outside the beam pattern.

ACCESSORIES:

Tilt Optic 5° **TO5**, Tilt Optic 10° **TO10**, Tilt Optic 15° **TO15**, Tilt Optic 25° **TO25**, Diffuse Filter **DF**, Linear Spread Filter **LSF**, Rebar Bracket Kit **RBK**, Stainless Trim Ring **STR**, Half Glare Shield **HS** available.

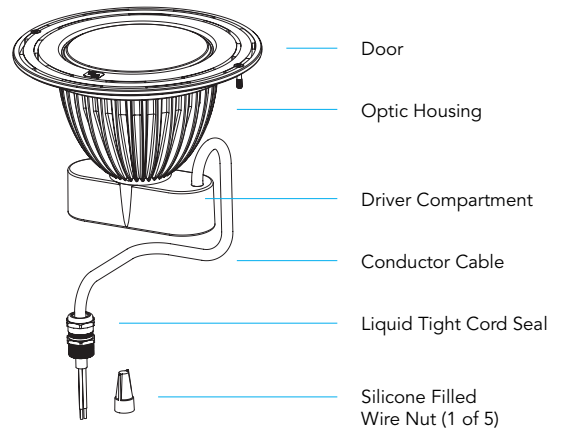
Dichroic Lenses: Yellow **YL**, Red **RL**, Blue **BL** and Green **GL** also available.

WIRING:

- 18/3 SEOWW outdoor rated waterproof cable [for Non-dimmable and Phase Cut (TRIAC/ELV-120VAC only) options]
- 18/5 SJTOW outdoor rated waterproof cable [for 0-10V dimming option]

CERTIFICATION:

cETLus wet location listed.
Ingress Protection Rating: IP68



LED:

Performance COB LEDs in various color temperatures.
15 – 26 Watts.
900 – 2000 Delivered Lumens

COLOR TEMPERATURE:

2700K, 3000K, 3500K, 4000K or 5000K CCT White.

COLOR RENDERING:

80 CRI minimum

OPTICS/AIMING:

Specular or semi-specular optics designed for maximum performance and uniformity. Fixture aiming achieved via a series of tilt optic lenses and patented magnetic aiming system. Additional tilt optic lenses available. Very Narrow Spot optic incorporates an additional internal source shield to eliminate unwanted glare outside the beam pattern.

DRIVER:

Multi-Volt **MV** 120V-277V equipped with tri-modal dimming capabilities. Start up/Operating Temperature: -10°C to +50°C. Non-dimmable, 0-10V and Phase Cut (TRIAC/ELV-120VAC only) options available.

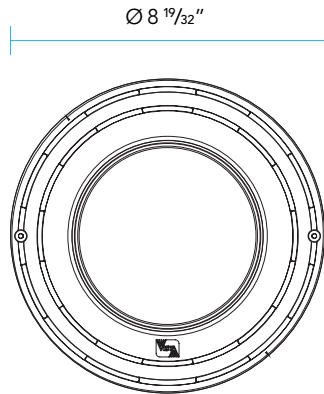
LIGHT DISTRIBUTION:

Very Narrow Spot **VNS** NEMA 2x2
Narrow Spot **NS** NEMA 2x2
Medium Flood **MF** NEMA 4x4
Wide Flood **WF** NEMA 6x6x6

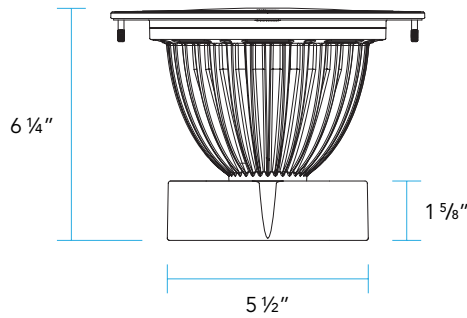




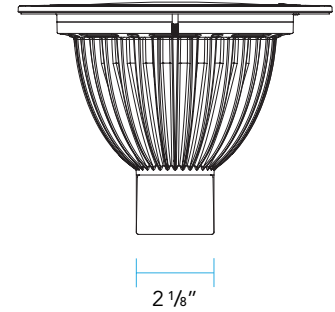
DIMENSIONS



Top



Front



Side

DELIVERED LUMENS

| BEAM SPREAD | A | B | C |
|-------------------------|---------------------------|---------------------------|---------------------------|
| Very Narrow Spot VNS | 25.5 Watts 1141 Lumens | | |
| Narrow Spot NS | 14.3 Watts 981 Lumens | 20.6 Watts 1407 Lumens | 25.4 Watts 1738 Lumens |
| Medium Flood MF | 14.5 Watts 997 Lumens | 20.8 Watts 1431 Lumens | 25.7 Watts 1766 Lumens |
| Wide Flood WF | 14.5 Watts 917 Lumens | 20.8 Watts 1317 Lumens | 25.7 Watts 1625 Lumens |

