



INSTALLATION INSTRUCTIONS

WARNING – RISK OF FIRE OR ELECTRIC SHOCK. INSTALL THIS KIT ONLY IN THE LUMINAIRES THAT HAS THE CONSTRUCTION FEATURES AND DIMENSIONS SHOWN IN THE PHOTOGRAPHS AND/OR DRAWINGS AND WHERE THE INPUT RATING OF THE RETROFIT KIT DOES NOT EXCEED THE INPUT RATING OF THE LUMINAIRE.

AVERTISSEMENT – RISQUE D'INCENDIE OU DE CHOC ÉLECTRIQUE. N'INSTALLER CE NÉCESSAIRE QUE DANS LES LUMINAIRES DONT LES CARACTÉRISTIQUES DE CONSTRUCTION ET LES DIMENSIONS SONT CONFORME À CELLES ILLUSTRÉES DANS LES PHOTOS ET/OU LES DESSINS ET DONT LA PUISSANCE D'ENTRÉE NOMINALE DU NÉCESSAIRE DE MODERNISATION NE DÉPASSE PAS CELLE DU LUMINAIRE.

THIS RETROFIT KIT IS ACCEPTED AS A COMPONENT OF A LUMINAIRE WHERE THE SUITABILITY OF THE COMBINATION SHALL BE DETERMINED BY AUTHORITIES HAVING JURISDICTION. (S24-L5)

LE NÉCESSAIRE DE MODERNISATION EST ACCEPTÉ À TITRE DE COMPOSANT D'UN LUMINAIRE LORSQUE LA PERTINENCE DE LA COMBINAISON DOIT ÊTRE DÉTERMINÉE PAR PAR LES AUTORITÉS COMPÉTENTES

DO NOT MAKE OR ALTER ANY OPEN HOLES IN AN ENCLOSURE OF WIRING OR ELECTRICAL COMPONENTS DURING KIT INSTALLATION.

IL EST INTERDIT DE FAIRE OU DE MODIFIER UNE OUVERTURE DANS UN BOÎTIER DE CÂBLAGE OU DE COMPOSANTS ÉLECTRIQUES AU COURS DE L'INSTALLATION DU NÉCESSAIRE. (S24-L5)

WARNING – RISK OF FIRE OR ELECTRIC SHOCK. INSTALLATION OF THIS RETROFIT ASSEMBLY REQUIRES A PERSON FAMILIAR WITH THE CONSTRUCTION AND OPERATION OF THE LUMINAIRE'S ELECTRICAL SYSTEM AND THE HAZARD INVOLVED. IF NOT QUALIFIED, DO NOT ATTEMPT INSTALLATION. CONTACT A QUALIFIED PERSON.

AVERTISSEMENT – RISQUE D'INCENDIE OU DE CHOC ÉLECTRIQUE. L'INSTALLATION DE CE NÉCESSAIRE DE MODERNISATION EXIGE UNE PERSONNE FAMILIÈRE AVEC LA CONSTRUCTION ET LE FONCTIONNEMENT DU SYSTÈME ÉLECTRIQUE DU LUMINAIRE ET DES RISQUES ASSOCIÉS. TOUTE PERSONNE QUI N'EST PAS QUALIFIÉE NE DOIT FAIRE AUCUNE TENTATIVE D'INSTALLATION ET DOIT CONTACTER UNE PERSONNE QUALIFIÉE.



INSTALLATION INSTRUCTIONS

IMPORTANT NOTE:

- Retrofit Kit must be installed and grounded in accordance with the National Electrical Code (NEC) and local codes.
- All conduit entries must be sealed from moisture. Use appropriate sealing material on conduit fittings and conduit closure plugs.
- Retrofit Kit is wet location listed and suitable for mounting in Hydrel® Model M9700 Series in-grade rough-in sections.
- Suitable for all types of construction including poured concrete construction and in soil applications.
- Suitable for through wiring: Max. of (4) No. 12 AWG conductors (plus ground) rated for 90°C.

MAINTENANCE: To assure proper operation and efficiency and to prevent luminaire overheating, lens must be kept clean and free of dirt, dust, leaves, trash and mineral deposits from water. A regular schedule maintenance program is recommended.

NOTE: Save these instructions for future reference.



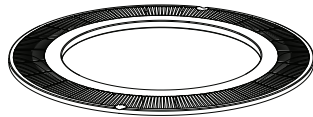
NOTICE: To prevent electric shock, turn main power off at circuit breaker. DO NOT INSTALL RETROFIT WHILE SYSTEM IS ENERGIZED.

Disassembly of Existing Fixture:

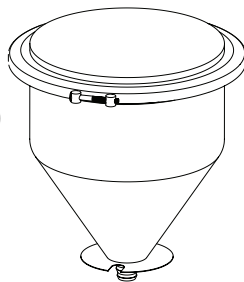
1. Remove and discard existing door assembly.
2. Remove and discard existing Lamp Module and any associated bracketry and hardware by lifting the Lamp Module out of the Housing and unplugging it from the Power Module.
3. Loosen Support Ring screws and remove Support Ring from the Housing. **Retain Support Ring and screws as these will be reused later. Inspect components for damage and replace any damaged parts prior to installation of the Retrofit Kit.**
4. Remove Power Module from Housing and set on grade outside of fixture.
5. Remove J-Box Cover and disconnect the wiring splices within the J-Box. Discard the old Wire-Nuts.
6. Pull J-Box Cover from within the Housing and remove the Cord Seal from the J-Box Cover. Discard the Power Module along with the old Cord Seal. **Retain J-Box Cover with gasket and screws as these will be reused later. Inspect components for damage and replace any damaged parts prior to installation of the Retrofit Kit.**

Disassembly of Existing Hydrel® Fixture

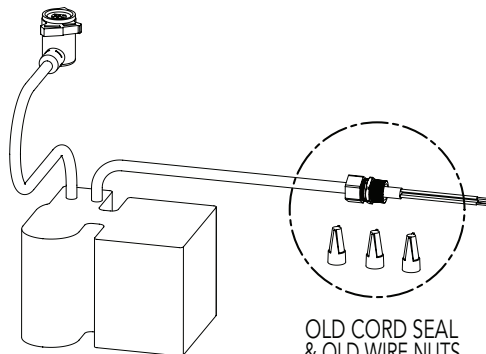
DOOR ASSEMBLY
(may include glass)
remove and discard



LAMP MODULE
(and associated bracketry)
remove and discard

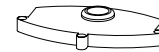


POWER MODULE
remove and discard

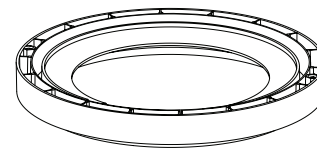


OLD CORD SEAL
& OLD WIRE NUTS
remove and discard

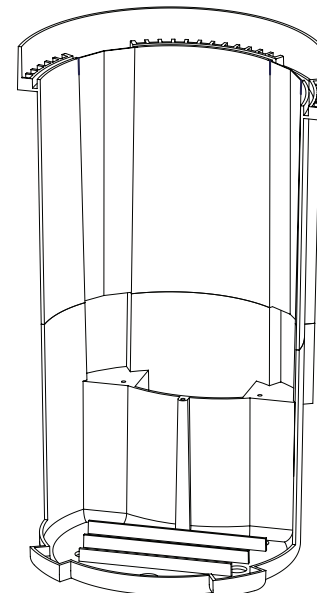
J-BOX COVER
remove and retain



SUPPORT RING
remove and retain



HOUSING
fixed and buried



Vista Professional Outdoor Lighting reserves the right to modify the design and/or construction of the fixture shown without further notification.

RK97 Retrofit Kit consists of:
 one (1) Retrofit LED Module, one (1) Cord Seal and five (5) Silicone Filled Wire-Nuts.

ASSEMBLY OF RETROFIT KIT WITHIN FIXTURE:

1. Firmly tighten newly provided Cord Seal into J-Box Cover ensuring a liquid tight fitting.

NOTE: If a Stainless Trim Ring (STR) accessory is to be used, route the free end (Load) of Retrofit LED Module Cable through the top side of the STR before continuing to step 2.

2. Route the free end (Load) of Retrofit LED Module Cable (A) through the top side of the Support Ring and (B) through the new Cord Seal such that the Cable Jacket extends past the Cord Seal 1"-2" and that the splices will terminate within the J-Box. Firmly tighten the nut on the Cord Seal ensuring a liquid tight fitting.
3. Using the provided Silicone Filled Wire-Nuts, connect the supply conductors within the J-Box to the load conductors of the Retrofit LED Module.

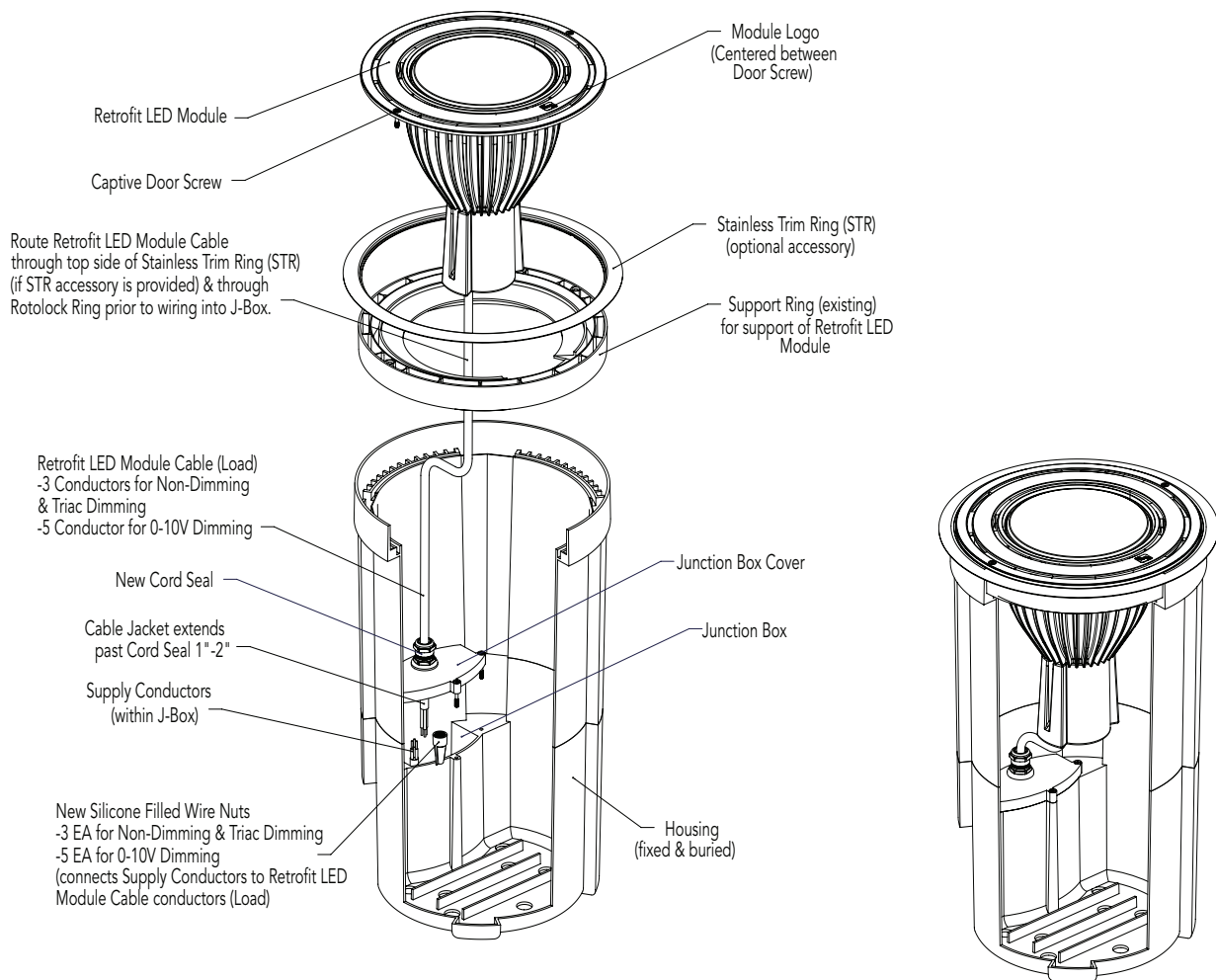
NOTE: See sheet 3 for wiring diagrams of both (A) Standard 3 Wire Electrical Connections and (B) Optional 5 Wire 0-10V Dimming Electrical Connections.

4. Re-install junction box cover and gasket making sure that none of the splices are pinched within the seal. Tighten to ensure proper sealing.
5. Set the Support Ring within the Housing and secure with the screws in the desired position. **The Module Logo will be centered between the door screw locations.**

NOTE: If a Stainless Trim Ring (STR) accessory is to be used, set the STR inside the top lip of the housing before continuing to step 6.

6. Place the LED Retrofit module within the Support Ring by aligning the two (2) Captive Screws of the Module with the mating fasteners of Support Ring. Snug the captive screws to secure the Module (do not overtighten).
7. Supply power to the luminaire and check for proper operation.

Assembly of Retrofit Kit within the Fixture



Exploded Assembly

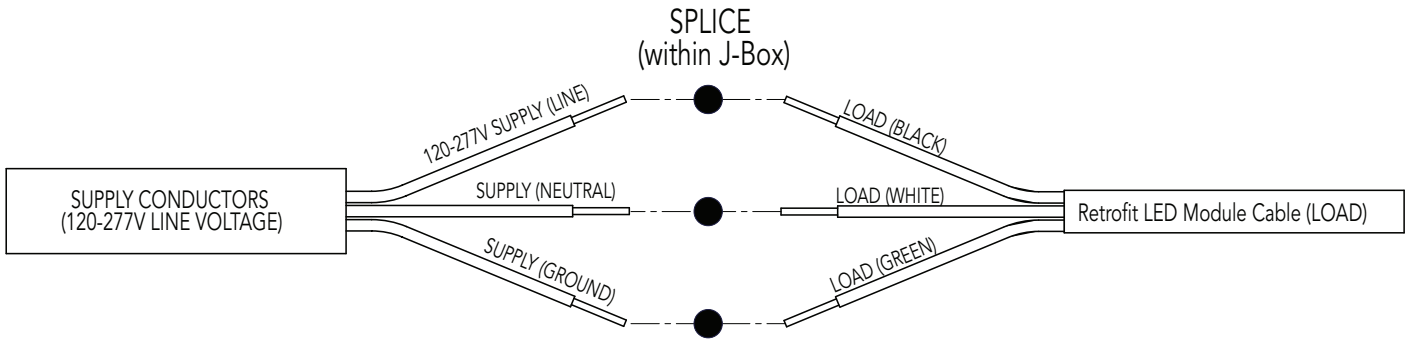
Completed Assembly

Hydrel® is a registered Trade Mark of Acuity Brands.

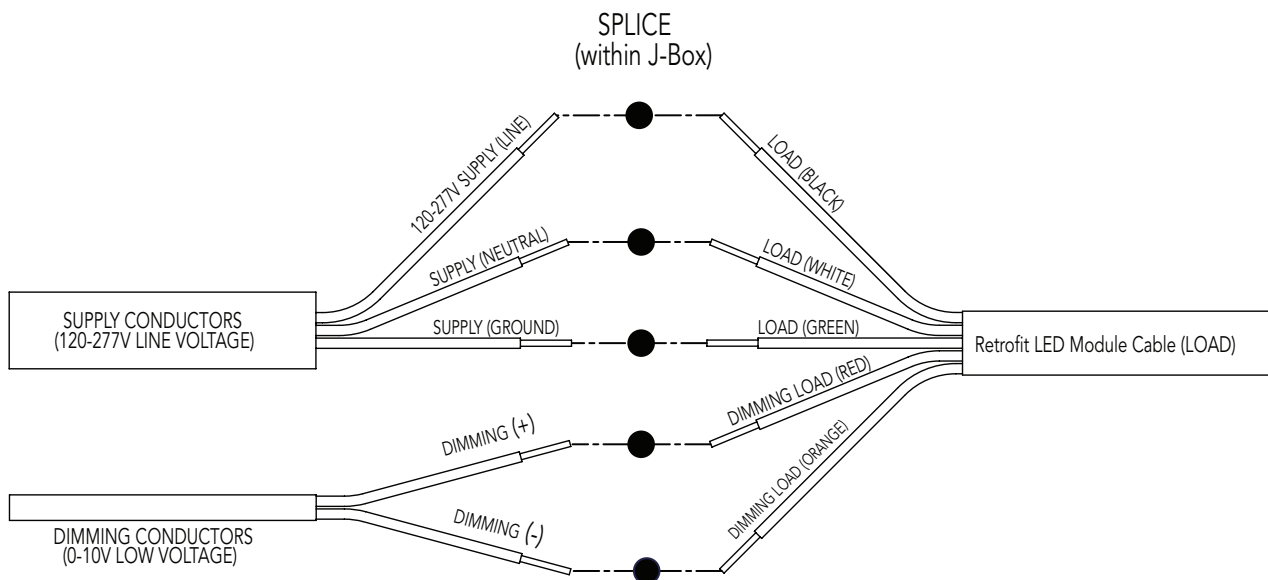
Vista Professional Outdoor Lighting reserves the right to modify the design and/or construction of the fixture shown without further notification.

WIRING DIAGRAMS:

(A) STANDARD 3 WIRE ELECTRICAL CONNECTIONS



(B) OPTIONAL 5 WIRE 0-10V DIMMING ELECTRICAL CONNECTIONS



Vista Professional Outdoor Lighting reserves the right to modify the design and/or construction of the fixture shown without further notification.