



MODEL 1504 | Gradient | Specification Sheet
Commercial Series • Step & Marker • LED

TYPE: MODEL:
PROJECT:

PRODUCT FEATURES



Wattage	10 W [WHITE]	8 W [AMBER]
Voltage	120 – 277 VAC	
Lumens	506 Delivered Lumens [WHITE]	207 Delivered Lumens [AMBER]
Distribution	No-glare, sharp cut-off optics	
CCT	2700K, 3000K, 3500K, 4000K [WHITE]	595nm [AMBER]
CRI	80 CRI min. [WHITE]	
Dimming	0-10V or Phase Cut (TRIAC/ELV-120VAC only) available	
Driver	Constant current Class 2 Output	
Dimensions	8¼" H x 3¼" W x 4⅝" D	

ORDERING INFORMATION

EXAMPLE: 1504-BL2-BSN-27-MV-PCT-CP-ER-1504-1

MODEL	DOOR COVER	FINISH	COLOR TEMP	VOLTAGE	DIMMING	HOUSING	MOUNTING	ACCESSORIES
1504				MV		CP		

MODEL	DOOR COVER	FINISH	COLOR TEMP	VOLTAGE
1504	BL2 Brass Gradient Door SL2 Stainless Steel Gradient Door	SS Stainless Steel * BSN Natural Brass ** BSO Olde Brass **	27 2700°K 30 3000°K 35 3500°K 40 4000°K AMB 595 nm	MV Multi Volt
DIMMING	HOUSING	MOUNTING	ACCESSORIES	ORDERING NOTES
ND Non Dimming 010 0-10V PCT Phase Cut (TRIAC/ELV-120VAC only)	CP Composite	FT Flush Tray *** FLUSH TRAY OPTIONAL No code required for standard mounting.	ER-1504-1 (1 Extension Ring) ER-1504-2 (2 Extension Rings) ER-1504-3 (3 Extension Rings) DF1 Diffuser Film	* Stainless Steel Doors only. ** Brass Doors only. *** Flush tray optional. No code required for standard mounting. Standard Mounting: Door cover will sit proud of front face of Rough-in box (typically finished surface) by ⅜".



PROFESSIONAL
OUTDOOR LIGHTING

www.VistaPro.com • email@vistapro.com • Fax: (888) 670-VISTA (8478)
1625 Surveyor Avenue • Simi Valley, CA 93063 • (805) 527-0987 • (800) 766-VISTA (8478)

Vista Professional Outdoor Lighting reserves the right to modify the design and/or construction of the fixture shown without further notification.



SPECIFICATIONS

HOUSING:

Injection-molded fiber-reinforced polymer Rough-in box with threaded brass inserts. UV stable.

DOOR COVER:

Option of stamped brass or stamped stainless steel. Door cover will sit proud of front face of Rough-in box (typically finished surface) by $\frac{5}{8}$ ". For a flush door cover appearance, the Flush Tray (FT) mounting must be used.

LENS:

Clear, tempered, shock and heat-resistant soda-lime glass lens.

REFLECTOR:

Segmented specular lighting sheet. No glare fixed optics.

MOUNTING:

Rough-in box designed for installation in concrete, brick/block, wood frame construction (non-IC) and insulated walls (IC).

FASTENERS/INSERTS:

All fasteners are stainless steel.

CERTIFICATIONS | STANDARDS | COMPLIANCE:

- UL Certified for wet locations (USA & Canada) | (UL 1598)
- Ingress Protection Rating: **IP66**
- Buy American Act (**BAA**)
- Build America, Buy America Act (**BABA**)

LED:

Integrated LED module.

- **White:** 506 Lumens delivered | 10 Watts
- **Amber:** 207 Lumens delivered | 8 Watts

COLOR TEMPERATURE:

- **White:** 2700K, 3000K, 3500K or 4000K CCT
- **Amber:** 595 nM

COLOR RENDERING:

80 CRI minimum [WHITE]

BUG RATING:

- **White:** B0 – U2 – G1
- **Amber:** B0 – U1 – G1

OPTICS/AIMING:

No-glare, sharp cut-off optics.

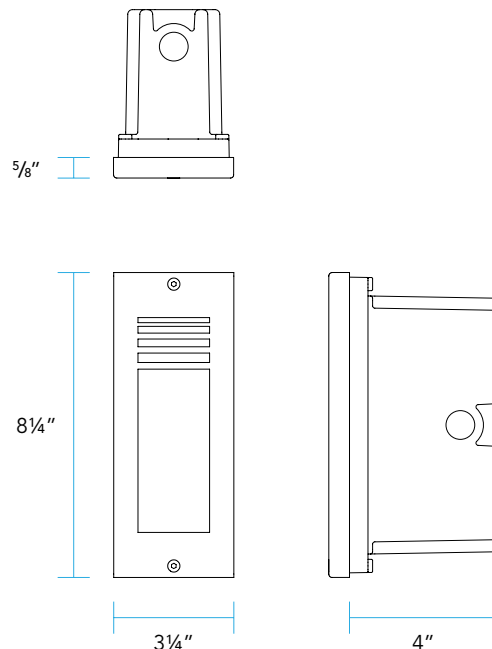
DRIVER:

Integral cUL listed Class 2 LED driver, either non-dimmable ND or dimmable. Dimming: 0-10V and Phase Cut (TRIAC/ELV-120VAC only) options available.

ELECTRICAL:

Universal voltage input (120- 277VAC) Suitable for through branch wiring. Four $\frac{1}{2}$ " NPT conduit entry hubs with knockout membrane standard.

DIMENSIONS



IMPORTANT NOTE:

Door cover will sit proud of front face of Rough-in box (typically finished surface) by $\frac{5}{8}$ ". For a flush Door Cover appearance, the Flush Tray (FT) MOUNTING must be used.

