



**MODEL 3108** | Specification Sheet  
Commercial Series • Low Voltage • Up / Accent / Downlight

TYPE:  MODEL:   
PROJECT:

**PRODUCT FEATURES**

Wattage	4.5 – 13 W
Voltage	9 – 15 VAC
Lumens	135 – 738 Delivered Lumens
Distribution	16° (VNS), 19° (NS), 30° (MF), 45° (WF)
CCT	2700K, 3000K, 3500K, 4000K, 5000K
CRI	80 CRI min.
Housing	Die-cast Aluminum
Dimensions	3" DIA x 8 5/16" D



**ORDERING INFORMATION**

EXAMPLE: GR-3108-B-9.5-27-SP-IK-HL

MOUNTING	MODEL	FINISH	WATTAGE	COLOR TEMP	DISTRIBUTION	KNUCKLE	ACCESSORIES
	3108					IK	

MOUNTING	MODEL	FINISH			WATTAGE
<b>GR</b> ABS ground stake <b>WR</b> Wall-mount canopy <b>TR</b> Tree-mount junction box	<b>3108</b>	<b>B</b> Black <b>Z</b> Architectural Bronze <b>DZ</b> Dark Bronze <b>GT</b> Granite <b>W</b> White	<b>BR</b> Architectural Brick <b>LZ</b> Light Bronze <b>SB</b> Special Bronze <b>GG</b> Glossy Gray <b>R</b> Rust <b>HG</b> Hunter Green <b>WB</b> Weathered Bronze <b>WI</b> Weathered Iron <b>GM</b> Graphite Metallic	<b>G</b> Verde <b>P</b> Pewter <b>M</b> Mocha <b>OF</b> Olde Finish	<b>4.5</b> 4.5 Watts <b>9.5</b> 9.5 Watts <b>13</b> 13 Watts
COLOR TEMPERATURE	DISTRIBUTION	KNUCKLE	ACCESSORIES	ORDERING NOTES	
<b>27</b> 2700K <b>W</b> 3000K <b>35</b> 3500K <b>N</b> 4000K <b>C</b> 5000K	<b>VNS</b> 16° Narrow Spot <b>SP</b> 19° Spot <b>MF</b> 30° Flood <b>WF</b> 46° Wide Flood	<b>IK</b> Infinity Knuckle	<b>HL</b> Honeycomb Louver <b>5</b> 5' Wire Lead	Fixtures shipped with specified mounting hardware.  If fixture is to be used in conjunction with Extended Arm Mount ( <b>EAM</b> ): Must specify with extended wire length	



PROFESSIONAL  
OUTDOOR LIGHTING

www.VistaPro.com • email@vistapro.com • Fax: (888) 670-VISTA (8478)  
1625 Surveyor Avenue • Simi Valley, CA 93063 • (805) 527-0987 • (800) 766-VISTA (8478)

Vista Professional Outdoor Lighting reserves the right to modify the design and/or construction of the fixture shown without further notification.



## SPECIFICATIONS

### HOUSING CONSTRUCTION:

Die-cast A360 aluminum. Optic and driver compartment environmentally sealed.

### DOOR CONSTRUCTION:

Die-cast A360 aluminum.

Door is designed to shed water from the lens surface.

### FINISH:

Powder coat finish available in Black, Architectural Bronze, Dark Bronze, Granite, White, Architectural Brick, Light Bronze, Special Bronze, Glossy Gray, Rust, Hunter Green, Weathered Bronze, Weathered Iron, Graphite Metallic, Verde, Pewter, Mocha and Olde Finish. Custom Powder coat finishes available on request.

### LENS:

Tempered and beveled clear glass.

### REFLECTOR:

Precision molded metalized optics combined with glare controlling filters. Very Narrow Spot optic incorporates an additional internal source shield to eliminate unwanted glare outside the beam pattern.

### FASTENERS:

All fasteners are stainless steel.

### WIRING:

Prewired with a 36" pigtail of 18-2 direct-burial cable and underground connectors.

### MOUNTING:

Infinity Knuckle – Die-cast, copper-free aluminum, stainless steel stem with 1/2" NPT thread. A fully sealed spherical grommet allows for precise aiming and retention.

### CERTIFICATIONS | STANDARDS | COMPLIANCE:

- UL Certified for wet locations (USA & Canada) | (UL 1838)
- Buy American Act (BAA)
- Build America, Buy America Act (BABA)

### LED:

Discreet performance LEDs binned to three MacAdam ellipses.  
135 – 738 Lumens delivered.  
4.5 – 13 Watts.

### COLOR TEMPERATURE:

2700K, 3000K, 3500K, 4000K or 5000K CCT White.

### COLOR RENDERING:

80 CRI minimum

### ELECTRICAL:

Input voltage range 9 - 15 VAC.

Low voltage transformer required to operate (sold separately).

### LIGHT DISTRIBUTION:

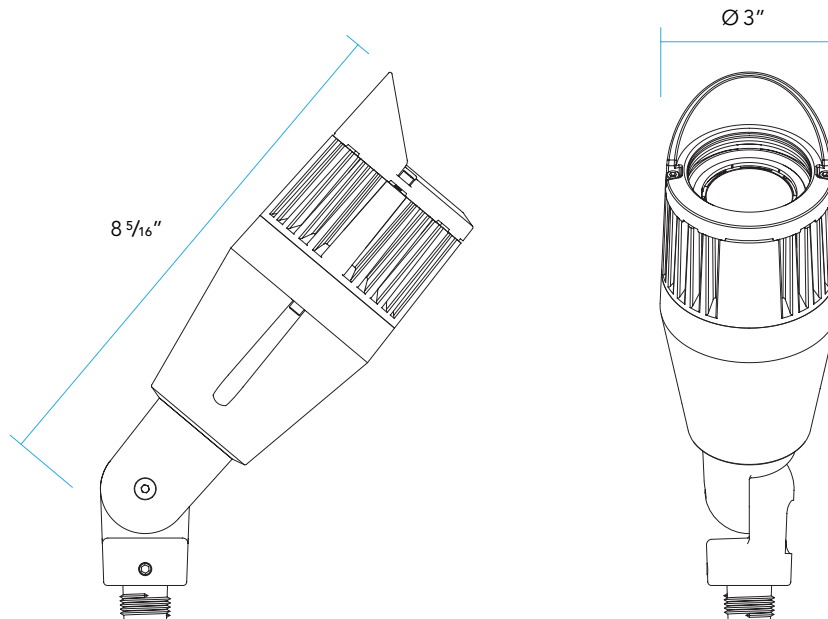
Very Narrow Spot **VNS** (16° FWHM)

Narrow Spot **NS** (19° FWHM)

Medium Flood **MF** (30° FWHM)

Wide Flood **WF** (46° FWHM)

## DIMENSIONS





**DELIVERED LUMENS**

BEAM SPREAD	4.5 W	9.5 W	13 W
Very Narrow Spot VNS	135 Lumens	214 Lumens	269 Lumens
Narrow Spot NS	364 Lumens	566 Lumens	738 Lumens
Medium Flood MF	321 Lumens	487 Lumens	711 Lumens
Wide Flood WF	332 Lumens	542 Lumens	687 Lumens

