



MODEL 1090 | Specification Sheet
Commercial Series • Floodlight

TYPE: MODEL:

PROJECT:

PRODUCT FEATURES



Wattage 50 W maximum

Voltage 120 VAC

Lamp Type PAR20 compatible
(lamp not included)

Dimensions 4½" DIA x [6¼" | 8¼" | 10½"] D

ORDERING INFORMATION

EXAMPLE: 1090-B-CX-N-120-HL

MODEL **FINISH** **LENS** **SHROUD** **INPUT VOLTAGE** **ACCESSORIES**
1090 120

MODEL	FINISH	LENS	SHROUD	INPUT VOLTAGE	ACCESSORIES
1090	B Black	CX Crowned Clear Lens CBL Crowned Cool Blue Lens CFR Crowned Frosted Lens	N No shroud M Medium Shroud L Long Shroud	120 120 VAC	HL Honeycomb Louver
	Z Architectural Bronze				
	DZ Dark Bronze				
	GT Granite				
	W White				
	BR Architectural Brick				
	LZ Light Bronze				
	SB Special Bronze				
	GG Glossy Gray				
	R Rust				
	HG Hunter Green				
	WB Weathered Bronze				
	WI Weathered Iron				
	GM Graphite Metallic				
	G Verde	ORDERING NOTES Fixture shipped with no lamp			
	P Pewter				
M Mocha					
OF Olde Finish					



**PROFESSIONAL
OUTDOOR LIGHTING**

www.VistaPro.com • email@vistapro.com • Fax: (888) 670-VISTA (8478)
1625 Surveyor Avenue • Simi Valley, CA 93063 • (805) 527-0987 • (800) 766-VISTA (8478)

Vista Professional Outdoor Lighting reserves the right to modify the design and/or construction of the fixture shown without further notification.



SPECIFICATIONS

LAMP TYPE:

PAR20 compatible. Lamp not included.

HOUSING:

Die-cast A360 aluminum. Housing aimable utilizing Vista's patented Infinity Knuckle.

SHROUD:

Die-cast A360 aluminum fitted to the housing with a molded gasket.

FINISH:

Powder coat finish available in Black, Architectural Bronze, Dark Bronze, Granite, White, Architectural Brick, Light Bronze, Special Bronze, Glossy Gray, Rust, Hunter Green, Weathered Bronze, Weathered Iron, Graphite Metallic, Verde, Pewter, Mocha and Olde Finish. Custom Powder coat finishes available on request.

LAMP HOLDER:

Porcelain medium base 4KV pulse rated socket with spring center contact and silicone rubber jacket protector.

LENS:

Clear, tempered, shock & heat resistant, soda-lime glass lens - crowned (convex) to promote water runoff. Optical effect lenses are available.

WIRING:

Prewired with 150° C-rated wire.

MOUNTING:

Infinity Knuckle – Die-cast, copper-free aluminum, stainless steel stem with ½" NPT thread. A fully sealed spherical grommet allows for precise aiming and retention.

FASTENERS/INSERTS:

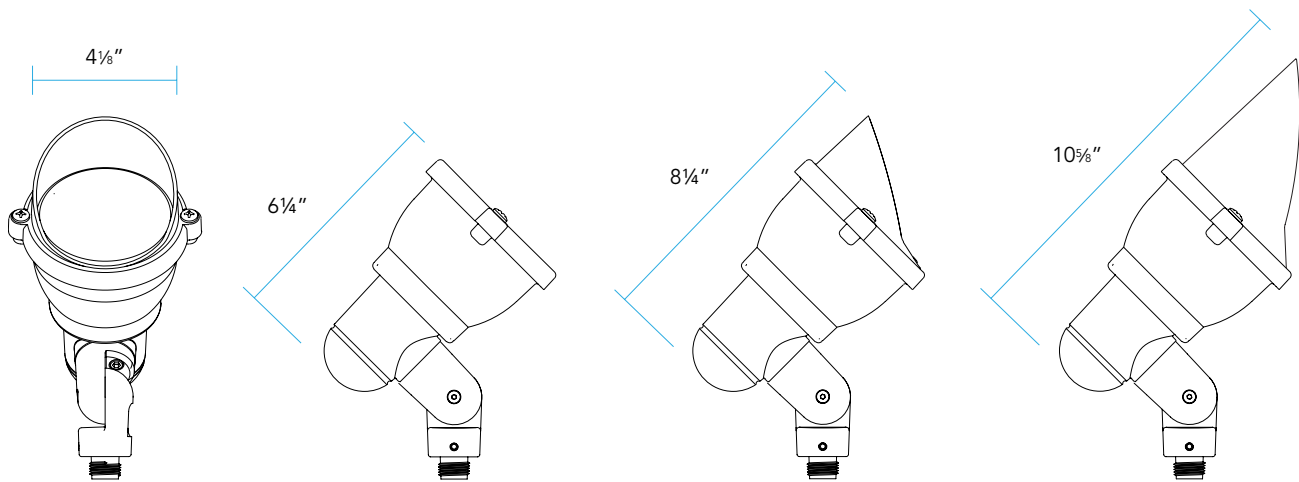
All fasteners are stainless steel.

CERTIFICATION:

cULus wet location listed (UL 1598).
The maximum wattages allowed by Underwriters Laboratories (UL) for the U.S. & Canadian markets may vary. Maximum wattages specified are Underwriters Laboratories U.S. standard. Please contact Vista for any questions about the maximum wattages allowed by UL Canadian standards.

Ingress Protection Rating: IP65

DIMENSIONS



No Shroud **N**

Medium Shroud **M**

Long Shroud **L**

