



## INSTALLATION INSTRUCTIONS

---

**WARNING** – RISK OF FIRE OR ELECTRIC SHOCK. INSTALL THIS KIT ONLY IN THE LUMINAIRES THAT HAS THE CONSTRUCTION FEATURES AND DIMENSIONS SHOWN IN THE PHOTOGRAPHS AND/OR DRAWINGS AND WHERE THE INPUT RATING OF THE RETROFIT KIT DOES NOT EXCEED THE INPUT RATING OF THE LUMINAIRE.

**AVERTISSEMENT** – RISQUE D'INCENDIE OU DE CHOC ÉLECTRIQUE. N'INSTALLER CE NÉCESSAIRE QUE DANS LES LUMINAIRES DONT LES CARACTÉRISTIQUES DE CONSTRUCTION ET LES DIMENSIONS SONT CONFORME À CELLES ILLUSTRÉES DANS LES PHOTOS ET/OU LES DESSINS ET DONT LA PUISSANCE D'ENTRÉE NOMINALE DU NÉCESSAIRE DE MODERNISATION NE DÉPASSE PAS CELLE DU LUMINAIRE.

---

DO NOT MAKE OR ALTER ANY OPEN HOLES IN AN ENCLOSURE OF WIRING OR ELECTRICAL COMPONENTS DURING KIT INSTALLATION.

IL EST INTERDIT DE FAIRE OU DE MODIFIER UNE OUVERTURE DANS UN BOÎTIER DE CÂBLAGE OU DE COMPOSANTS ÉLECTRIQUES AU COURS DE L'INSTALLATION DU NÉCESSAIRE. (S24-L5)

---

**WARNING** – RISK OF FIRE OR ELECTRIC SHOCK. INSTALLATION OF THIS RETROFIT ASSEMBLY REQUIRES A PERSON FAMILIAR WITH THE CONSTRUCTION AND OPERATION OF THE LUMINAIRE'S ELECTRICAL SYSTEM AND THE HAZARD INVOLVED. IF NOT QUALIFIED, DO NOT ATTEMPT INSTALLATION. CONTACT A QUALIFIED PERSON.

**AVERTISSEMENT** – RISQUE D'INCENDIE OU DE CHOC ÉLECTRIQUE. L'INSTALLATION DE CE NÉCESSAIRE DE MODERNISATION EXIGE UNE PERSONNE FAMILIÈRE AVEC LA CONSTRUCTION ET LE FONCTIONNEMENT DU SYSTÈME ÉLECTRIQUE DU LUMINAIRE ET DES RISQUES ASSOCIÉS. TOUTE PERSONNE QUI N'EST PAS QUALIFIÉE NE DOIT FAIRE AUCUNE TENTATIVE D'INSTALLATION ET DOIT CONTACTER UNE PERSONNE QUALIFIÉE.

---

**WARNING** – TO PREVENT WIRING DAMAGE OR ABRASION, DO NOT EXPOSE WIRING TO EDGES OF SHEET METAL OR OTHER SHARP OBJECTS

**AVERTISSEMENT** – AFIN DE PRÉVENIR L'ENDOMMAGEMENT OU L'ABRASION DES CÂBLES, 'EVITER TOUT CONTACT ENTRE CES DERNIERS ET LE BORD D'UN OBJET TRANCHANT TEL QU'UNE TÔLE.

---

**WARNING** – THE RETROFIT KIT IS ACCEPTED AS A COMPONENT OF A LUMINAIRE WHERE THE SUITABILITY OF THE COMBINATION SHALL BE DETERMINED BY AUTHORITIES HAVING JURISDICTION. PRODUCT MUST BE INSTALLED BY A QUALIFIED ELECTRICIAN IN ACCORDANCE WITH THE APPLICABLE AND APPROPRIATE ELECTRICAL CODES. THE INSTALLATION GUIDE DOES NOT SUPERSEDE LOCAL OR NATIONAL REGULATIONS FOR ELECTRICAL INSTALLATIONS.

**AVERTISSEMENT** – LE NÉCESSAIRE DE MODERNISATION EST ACCEPTÉ À TITRE DE COMPOSANT D'UN LUMINAIRE LORSQUE LA PERTINENCE DE LA COMBINAISON DOIT ÊTRE DÉTERMINÉE PAR LES AUTORITÉS COMPÉTENTES. CE PRODUIT DOIT ÊTRE MIS EN PLACE PAR UN ÉLECTRICIEN QUALIFIÉ CONFORMÉMENT AUX CODES ÉLECTRIQUES APPROPRIÉS APPLICABLES. LE GUIDE D'INSTALLATION NE SUPPLANTE PAS LES RÈGLEMENTS LOCAUX OU NATIONAUX EN MATIÈRE D'INSTALLATIONS ÉLECTRIQUES.



## INSTALLATION INSTRUCTIONS

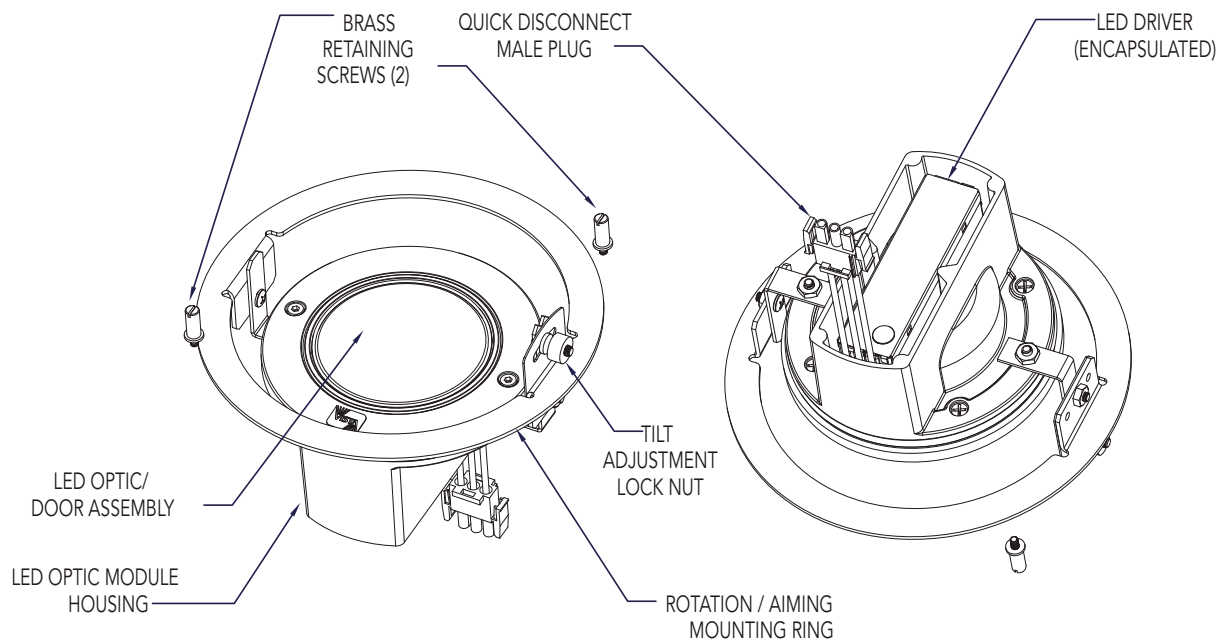
### IMPORTANT NOTE:

- Retrofit Kit must be installed in accordance with the National Electric Code and local codes.
- All conduit entries must be sealed from moisture, Use appropriate sealing material on conduit fittings and conduit closure plugs.
- Retrofit is suitable for mounting into all Vista model 1100 Series ingrade recessed housings.
- Suitable for all types of construction including poured concrete construction and in-grade soil installations.
- 1100 Series recessed housing is suitable for through branch wiring: Max of (4) #12AWG conductors (plus ground) rated for 90°C.

**MAINTENANCE:** To assure proper performance, the lens/openings must be kept clear of debris, dirt, leaves and trash. A regular schedule maintenance program is recommended.

**NOTE:** Save these instructions for future reference.

**NOTICE - TO PREVENT ELECTRIC SHOCK, TURN OFF POWER AT MAIN BREAKER. DO NOT INSTALL RETROFIT KIT WHILE SYSTEM IS ENERGIZED.**



Vista Professional Outdoor Lighting reserves the right to modify the design and/or construction of the fixture shown without further notification.



## INSTALLATION INSTRUCTIONS

### Disassembly of existing 1100 Series – HID / Fluorescent / Incandescent Models:

1. Remove door / lens assembly. Retain for re-installation.
2. Loosen two brass retaining screws holding optic assembly. Retain for re-installation.
3. Unplug optic assembly at quick disconnect connector. Discard optic assembly.
4. Loosen three screws holding ballast assembly in 1100 Series housing (HID & Fluorescent only).
5. Unplug ballast assembly at quick disconnect connector. Discard ballast assembly.

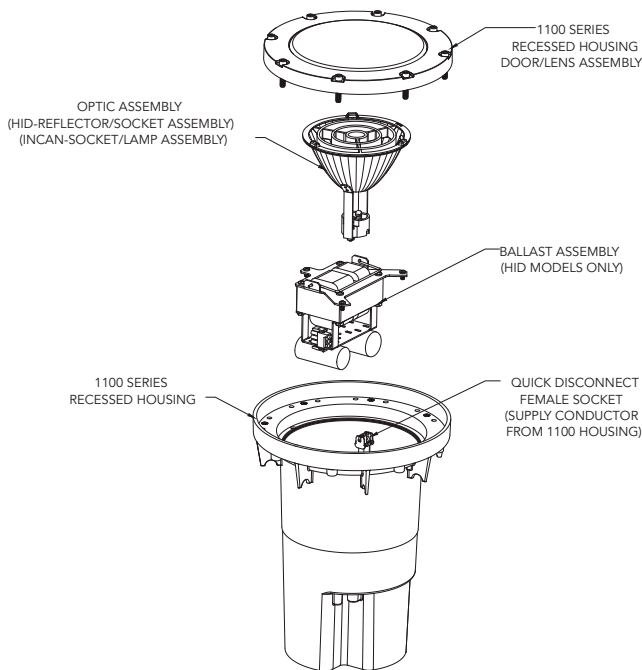
### Installation of VR11 retrofit kit into 1100 Series recessed housing:

1. Plug quick connector of VR11 retrofit module into supply conductor quick connector from 1100 Series housing.
2. Place mounting ring into track on top of 1100 Series recessed housing.
3. Aim optic module onto desired target. Tighten tilt bracket assembly.
4. Re-install two brass retaining screws holding VR11 retrofit optic module rotation ring. Secure in place.
5. Re-install door/lens assembly. Secure door with eight screws, tightening in crossing pattern.

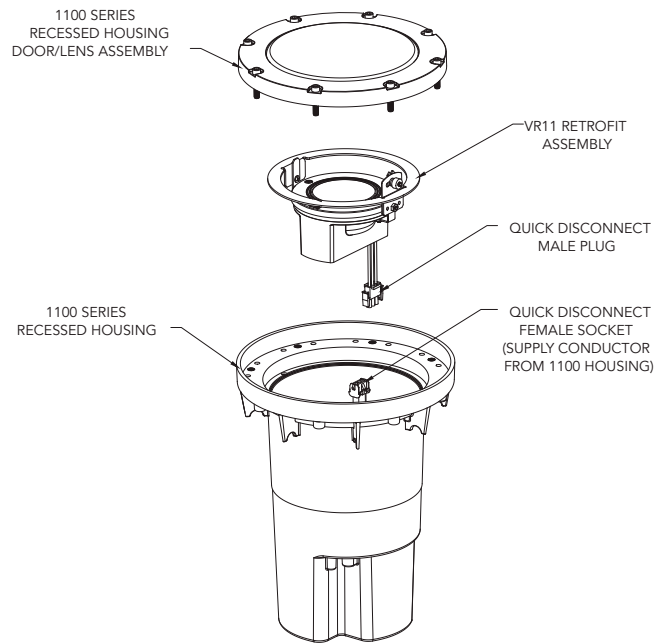
**NOTE: An extra gasket and four door screws included if necessary.**

6. Energize luminaire to check for proper connection and orientation.

### Disassembly of existing 1100 Series for retrofit kit



### Installation of existing 1100 Series for retrofit kit



Vista Professional Outdoor Lighting reserves the right to modify the design and/or construction of the fixture shown without further notification.