



**MODEL 1503** | Border | Specification Sheet  
Commercial Series • Step & Marker • LED

TYPE:  MODEL:   
PROJECT:

**PRODUCT FEATURES**



Wattage	11 W
Voltage	120 – 277 VAC
Lumens	474 Delivered Lumens
Distribution	Forward Throw with ± 15° of Adjustment
CCT	2700K, 3000K, 3500K, 4000K
CRI	80 CRI min.
Dimming	0-10V or Phase Cut (TRIAC/ELV-120VAC only) available
Driver	Constant current Class 2 Output
Dimensions	8¼" W x 3¼" H x 4⅝" D

**ORDERING INFORMATION**

EXAMPLE: 1503-AB-B-27-MV-PCT-CP-ER-1503-1

MODEL	DOOR COVER	FINISH	COLOR TEMP	VOLTAGE	DIMMING	HOUSING	MOUNTING	ACCESSORIES
1503				MV		CP		

MODEL	DOOR COVER	FINISH					
1503	<b>AB</b> Aluminum Border	<b>Natural Metal Finish</b>		<b>Powder Coat Finish</b>		<b>Custom Finish</b>	
	<b>BB</b> Brass Border	<b>SS</b> Stainless Steel *	<b>B</b> Black	<b>BR</b> Architectural Brick	<b>G</b> Verde	(Consult Factory)	
	<b>SB</b> Stainless Steel Border	<b>BSN</b> Natural Brass **	<b>Z</b> Architectural Bronze	<b>LZ</b> Light Bronze	<b>P</b> Pewter		
		<b>BSO</b> Olde Brass **	<b>DZ</b> Dark Bronze	<b>SB</b> Special Bronze	<b>M</b> Mocha		
		<b>GT</b> Granite	<b>GG</b> Glossy Gray	<b>OF</b> Olde Finish			
			<b>W</b> White	<b>R</b> Rust			
				<b>HG</b> Hunter Green			
				<b>WB</b> Weathered Bronze			
				<b>WI</b> Weathered Iron			
				<b>GM</b> Graphite Metallic			

COLOR TEMP	VOLTAGE	DIMMING	HOUSING	MOUNTING	ACCESSORIES	ORDERING NOTES	
<b>27</b> 2700°K	<b>MV</b> Multi Volt	<b>ND</b> Non Dimming	<b>CP</b> Composite	<b>FT</b> Flush Tray ***	<b>ER-1503-1</b> (1 Extension Ring)	* Stainless Steel Doors only.	
<b>30</b> 3000°K		<b>010</b> 0-10V			<b>ER-1503-2</b> (2 Extension Rings)	** Brass Doors only.	
<b>35</b> 3500°K		<b>PCT</b> Phase Cut (TRIAC/ELV-120VAC only)			<b>ER-1503-3</b> (3 Extension Rings)	<b>DF1</b> Diffuser Film	*** Flush tray optional. No code required for standard mounting.
<b>40</b> 4000°K							
<b>AMB</b> 595 nm							



PROFESSIONAL  
OUTDOOR LIGHTING



### SPECIFICATIONS

**HOUSING:**

Injection-molded fiber-reinforced polymer Rough-in box with threaded brass inserts. UV stable.

**DOOR COVER:**

Option of die-cast aluminum, stamped brass or stamped stainless steel.

**LENS:**

Clear, tempered, shock and heat-resistant soda-lime glass lens.

**FINISH:**

Powder coat finish for Aluminum Door Cover available in Black, Architectural Bronze, Dark Bronze, Granite, White, Architectural Brick, Light Bronze, Special Bronze, Glossy Gray, Rust, Hunter Green, Weathered Bronze, Weathered Iron, Graphite Metallic, Verde, Pewter, Mocha and Olde Finish.

**REFLECTOR:**

Extruded aluminum, satin etched. Adjustable  $\pm 15^\circ$  from preset  $0^\circ$  position.

**MOUNTING:**

Rough-in box designed for installation in concrete, brick/block, wood frame construction (non-IC) and insulated walls (IC).

**FASTENERS/INSERTS:**

All fasteners are stainless steel.

**CERTIFICATION:**

UL Listed to U.S. & Canadian (cUL) safety standards (UL 1598). Suitable for wet locations. IP66.

**LED:**

Integrated LED module. 11 Watts and 474 Delivered Lumens.

**COLOR TEMPERATURE:**

2700°K, 3000°K, 3500°K or 4000°K CCT White.

**COLOR RENDERING:**

80 CRI minimum

**OPTICS/AIMING:**

No-glare optics. Hot-aiming adjustable performance optic assembly.  $30^\circ$  of adjustment for precise beam control.

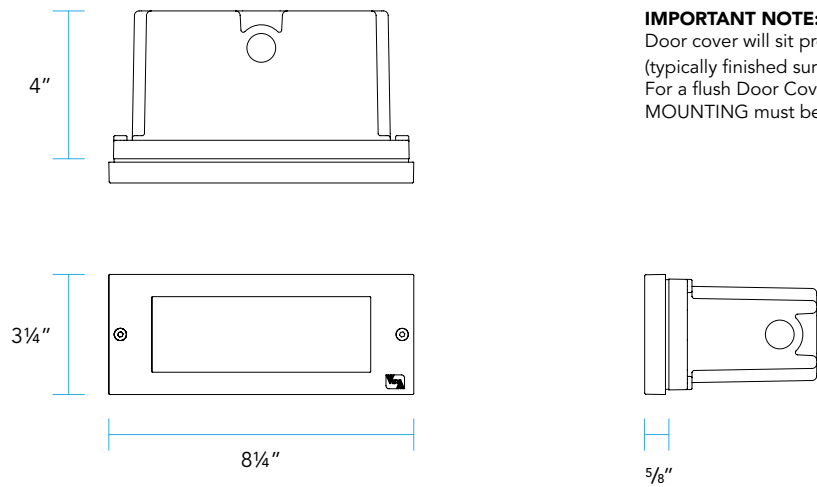
**DRIVER:**

Integral cUL listed Class 2 LED driver, either non-dimmable ND or dimmable. Dimming: 0-10V and Phase Cut (TRIAC/ELV-120VAC only) options available.

**ELECTRICAL:**

Universal voltage input (120- 277VAC) Suitable for through branch wiring. Four  $\frac{1}{2}$ " NPT conduit entry hubs with knockout membrane standard.

### DIMENSIONS



**IMPORTANT NOTE:**  
Door cover will sit proud of front face of Rough-in box (typically finished surface) by  $\frac{5}{8}$ ".  
For a flush Door Cover appearance, the Flush Tray (FT) MOUNTING must be used.

