

**IMPORTANT NOTE:**

Luminaire must be installed and grounded in accordance with the National Electrical Code (NEC) and local codes. Luminaire is UL listed for above grade installation only. Always use UL recognized wire connectors for connections.

MAINTENANCE: To assure proper operation and efficiency, all access doors, seals and anchor bolts must be properly secured. All splice connections must be positioned such that flooding does not immerse connections. A regular scheduled maintenance program is recommended.

SAFETY WARNING: Luminaire can become hot. Take care when locating luminaire.

NOTE: Save these instructions for future reference



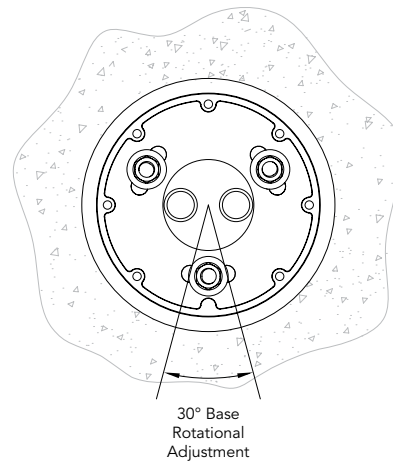
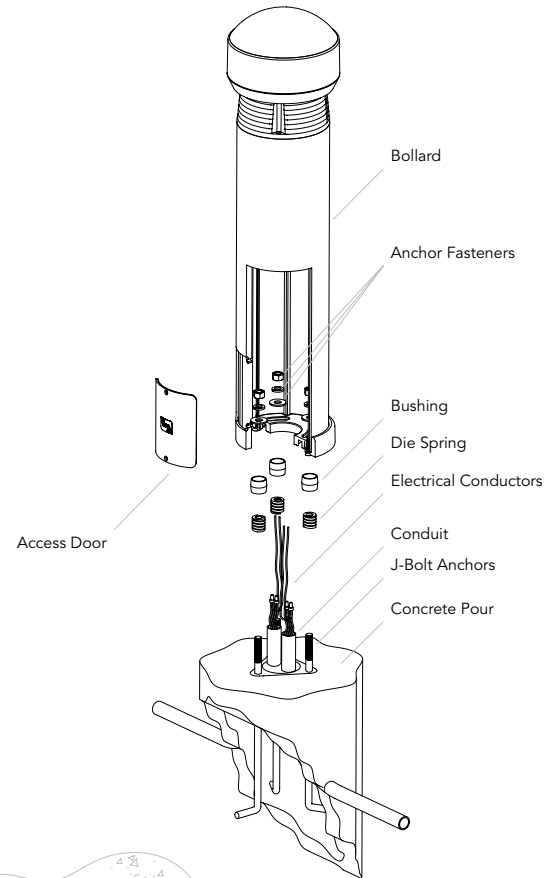
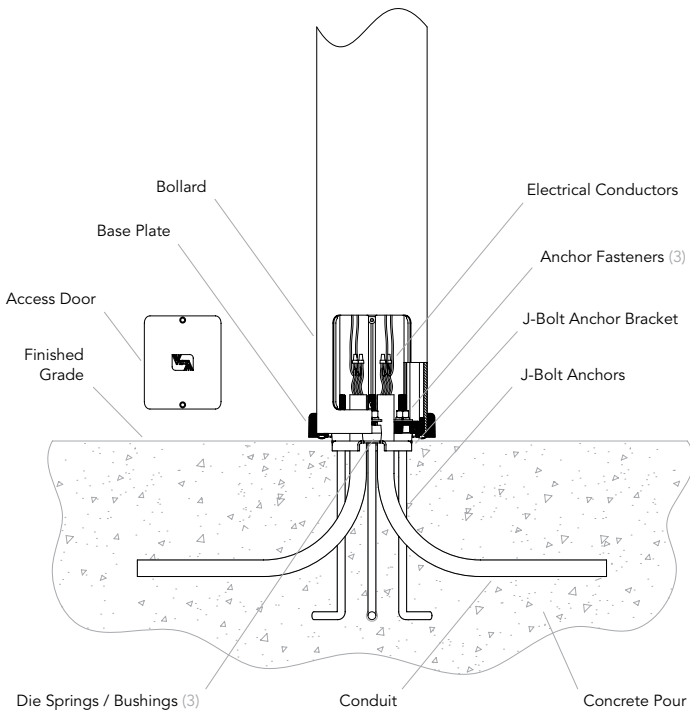
BOLLARD INSTALLATION

IMPORTANT NOTE: Mount J-Bolt Anchor Assembly as specified on page two of this installation instruction.

1. Verify that the power is off at the supply source.
2. Remove the anchor bolt top fasteners and bollard access door before installing the bollard.
3. Place a die spring and bushing over each of the projecting J-bolts.
4. Select the orientation of bollard relative to J-bolts.
5. Route the supply wires through the center access hole of the base plate. Place the bollard upright onto the anchor bolts, fitting the bushings into the radial slot features in the bollard base. Rotate the bollard about the J-bolts to properly aim the fixture.
6. Secure the fixture to anchor bolts using the supplied anchor bolt top fasteners.
7. Tighten each of the three (3) anchor bolt nuts until the bollard is properly leveled.
8. Verify that supply voltage matches fixture voltage. Make electrical connections to the fixture inside the bollard housing.

NOTE: All electrical splices are to be made as prescribed by the National Electrical Code (NEC) or other relevant codes. Attach ground wire to an approved ground source.

9. Re-install the bollard access door securely with supplied fasteners.
10. Re-energize electrical service and check for proper operation.





J-BOLT ANCHOR INSTALLATION

1. Install supplied J-bolt anchor (galvanized J-bolt 1/2-13 thread, 12 inches long) assembly over electrical supply conduit and into concrete. Position the electrical supply conduit such that it passes through the center of the bracket of the J-bolt anchor assembly.

NOTE: Electrical supply conduit ends should be no higher than 3" (76mm) above grade with supply wires loop at a recommended 12" (305mm) minimum length. (See illustration) Maximum conduit number and size: Two (2) 3/4" (25mm) conduits or three (3) 1/2" (20mm) conduits.

2. Orient the J-bolt anchor assembly to ensure that the access door of the 1471 Bollard is in the desired location when the bollard is installed. (See attached illustration).

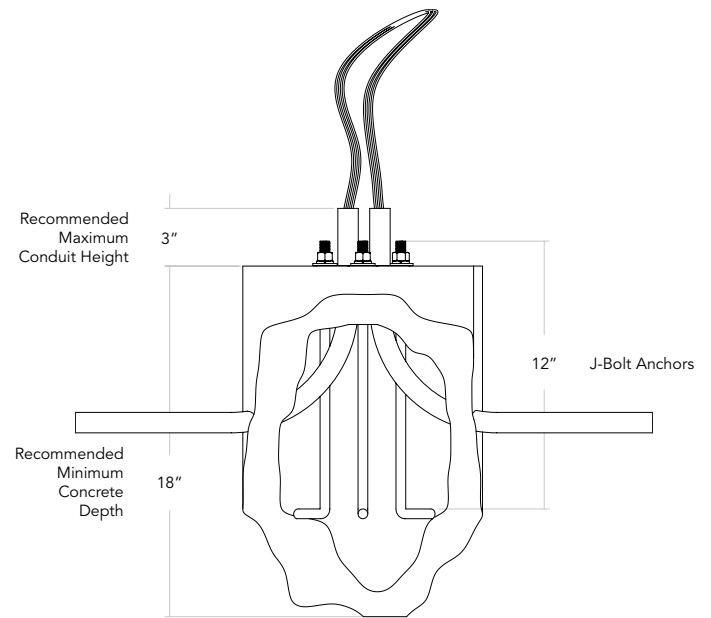
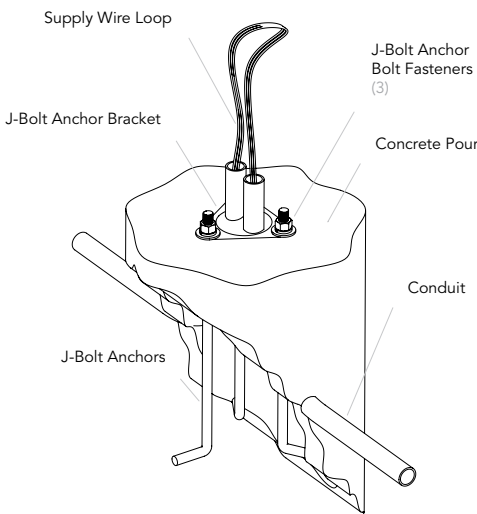
NOTE: For proper bollard installation, the top of the J-bolt anchor assembly bracket must be flush and level with final grade.

3. Pour the concrete pad to the top surface of the J-bolt anchor assembly bracket. For best results, ensure that the top surface of concrete is smooth and level.

NOTE: For proper bollard installation, the anchor bolt top fasteners must be above grade and removable. These will be used later to secure the 1471 Bollard to the J-bolt assembly. The concrete pour around the J-bolt assembly should be a minimum of 12" across the top in any direction and a minimum of 18" deep.

4. Allow concrete pad to cure securing J-bolt anchor assembly into the pad before installing 1471 Bollard fixture.

NOTE: Protect J-bolt and conduit ends from damage prior to installation of 1471 Bollard fixture. See page one of installation instructions for complete assembly.



J-BOLT ORIENTATION FOR BOLLARD

All illustrations are viewed from the top, with the orientation of the J-bolt anchor assembly projecting upward. Front of the bollard is defined as the side opposite of the access door.

