



**MODEL RK91** | Specification Sheet  
Commercial Series • In-Grade Retrofit • LED

TYPE:  MODEL:

PROJECT:

**PRODUCT FEATURES**



Wattage	28 – 37 W
Voltage	120 – 277 VAC
Lumens	1700 – 3248 Delivered Lumens
Distribution	NEMA type [H x V]: 2x2 (VNS), 2x2 (NS), 4x4 (MF), 6x6 (WF)
CCT	2700K, 3000K, 3500K, 4000K, 5000K
CRI	80 CRI min.
Dimming	0-10V or Phase Cut (TRIAC/ELV-120VAC only) available
Driver	Multi-Volt 120-277VAC with tri-modal dimming capabilities
Dimensions	11 5/16" DIA x 10 3/16" D



**ORDERING INFORMATION**

EXAMPLE: *RK91-GM-MF-27-B-MV-CX-PCT-TO10*

MODEL	FINISH	DIST	TEMP	LUMENS	VOLTAGE	LENS	DIMMING	ACC
RK91					MV			

MODEL	DOOR FINISH			DISTRIBUTION		COLOR TEMP		DELIVERED LUMENS	
RK91	<b>B</b> Black	<b>LZ</b> Light Bronze	<b>WI</b> Weathered Iron	<b>VNS</b> Very Narrow Spot *	<b>27</b> 2700K			<b>A</b> 1700 - 2000	
	<b>Z</b> Architectural Bronze	<b>SB</b> Special Bronze	<b>GM</b> Graphite Metallic	<b>NS</b> Narrow Spot	<b>30</b> 3000K			<b>B</b> 2000 - 2500	
	<b>DZ</b> Dark Bronze	<b>GG</b> Glossy Gray	<b>G</b> Verde	<b>MF</b> Medium Flood	<b>35</b> 3500K			<b>C</b> 2500 - 3000	
	<b>GT</b> Granite	<b>R</b> Rust	<b>P</b> Pewter	<b>WF</b> Wide Flood	<b>40</b> 4000K				
	<b>W</b> White	<b>HG</b> Hunter Green	<b>M</b> Mocha		<b>50</b> 5000K				
	<b>BR</b> Architectural Brick	<b>WB</b> Weathered Bronze	<b>OF</b> Olde Finish						

VOLTAGE	LENS	DIMMING	ACCESSORIES		ORDERING NOTES
<b>MV</b> Multi Volt (120 - 277 VAC)	<b>CX</b> Crowned Clear <b>AX</b> Anti Slip Clear	<b>ND</b> Non Dimming <b>010</b> 0-10V <b>PCT</b> Phase Cut (TRIAC/ELV-120VAC only)	<b>T05</b> Tilt Optic 5° <b>T010</b> Tilt Optic 10° <b>T015</b> Tilt Optic 15° <b>T025</b> Tilt Optic 25° <b>DF</b> Diffuse Filter <b>LSF</b> Linear Spread Filter <b>RBK</b> Rebar Bracket Kit	<b>STR</b> Stainless Steel Trim Ring <b>HS</b> Half Glare Shield <b>YL</b> Yellow Lens ** <b>RL</b> Red Lens ** <b>BL</b> Blue Lens ** <b>GL</b> Green Lens **	* RK91-VNS not available with B & C lumen packages. ** Colored Lenses not available with B & C Lumen packages.



PROFESSIONAL  
OUTDOOR LIGHTING

www.VistaPro.com • email@vistapro.com • Fax: (888) 670-VISTA (8478)  
1625 Surveyor Avenue • Simi Valley, CA 93063 • (805) 527-0987 • (800) 766-VISTA (8478)

Vista Professional Outdoor Lighting reserves the right to modify the design and/or construction of the fixture shown without further notification.



## SPECIFICATIONS

### DESCRIPTION:

RK91 LED Retrofit Kit, for use in Hydrel's® 9100 series. Retrofit Kit includes factory sealed LED module with integrated driver, fully potted and thermally protected.

### DOOR:

TYPE III hard anodized/powder coat Die-cast A360 aluminum.  
A captive stainless steel fastener and door catch affixed to a ventilated door. Inner vents allow hot air to escape from around optic housing while outer vents allow cool air to enter fixture housing.

### OPTIC HOUSING:

TYPE III hard anodized and Thermkote treated Die-cast A360 aluminum. Finned for maximum heat dissipation. Optic and driver compartment separately sealed while being electrically connected.

### DRIVER COMPARTMENT:

Injection-molded PPS for maximum corrosion protection. Driver compartment houses electronic LED driver and thermostat which cuts power to fixture in abnormal ambient temperature conditions. Driver compartment is completely epoxy potted to protect electronics from moisture.

### DOOR FINISH:

Powder coat finish available in Black, Architectural Bronze, Dark Bronze, Granite, White, Architectural Brick, Light Bronze, Special Bronze, Glossy Gray, Rust, Hunter Green, Weathered Bronze, Weathered Iron, Graphite Metallic, Verde, Pewter, Mocha and Olde Finish. Custom Powder coat finishes available on request.

### LENS:

1/2" thick tempered pressed clear glass. Optional anti-slip clear lens.

### REFLECTOR:

Specular or semi-specular spun aluminum optics, anodized for maximum performance. Very Narrow Spot optic incorporates an additional internal source shield to eliminate unwanted glare outside the beam pattern.

### LED:

Performance COB LEDs in various color temperatures.  
28 – 37 Watts.  
1700 – 3248 Delivered Lumens

### COLOR TEMPERATURE:

2700K, 3000K, 3500K, 4000K or 5000K CCT White.

### COLOR RENDERING:

80 CRI minimum

### OPTICS/AIMING:

Specular or semi-specular optics designed for maximum performance and uniformity.  
Fixture aiming achieved via a series of tilt optic lenses and patented magnetic aiming system. Additional tilt optic lenses available.  
Very Narrow Spot optic incorporates an additional internal source shield to eliminate unwanted glare outside the beam pattern.

### ACCESSORIES:

Tilt Optic 5° **TO5**, Tilt Optic 10° **TO10**, Tilt Optic 15° **TO15**, Tilt Optic 25° **TO25**, Diffuse Filter **DF**, Linear Spread Filter **LSF**, Rebar Bracket Kit **RBK**, Stainless Trim Ring **STR**, Half Glare Shield **HS** available.

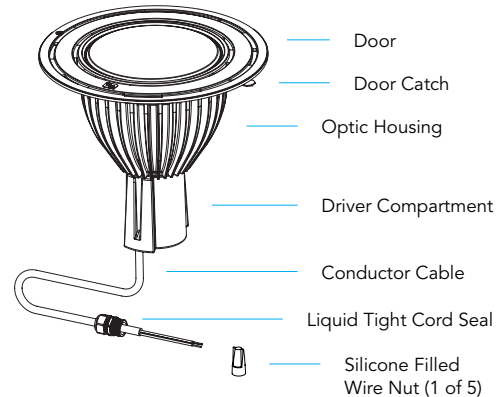
Dichroic Lenses: Yellow **YL**, Red **RL**, Blue **BL** and Green **GL** also available.

### WIRING:

- 18/3 SEOWW outdoor rated waterproof cable [for Non-dimmable and Phase Cut (TRIAC/ELV-120VAC only) options]
- 18/5 SJTOW outdoor rated waterproof cable [for 0-10V dimming option]

### CERTIFICATION:

cETLus wet location listed.  
Ingress Protection Rating: IP68



### DRIVER:

Multi-Volt **MV** 120V-277V equipped with tri-modal dimming capabilities.  
Start up/Operating Temperature: -10°C to +50°C.  
Non-dimmable, 0-10V and Phase Cut (TRIAC/ELV-120VAC only) options available.

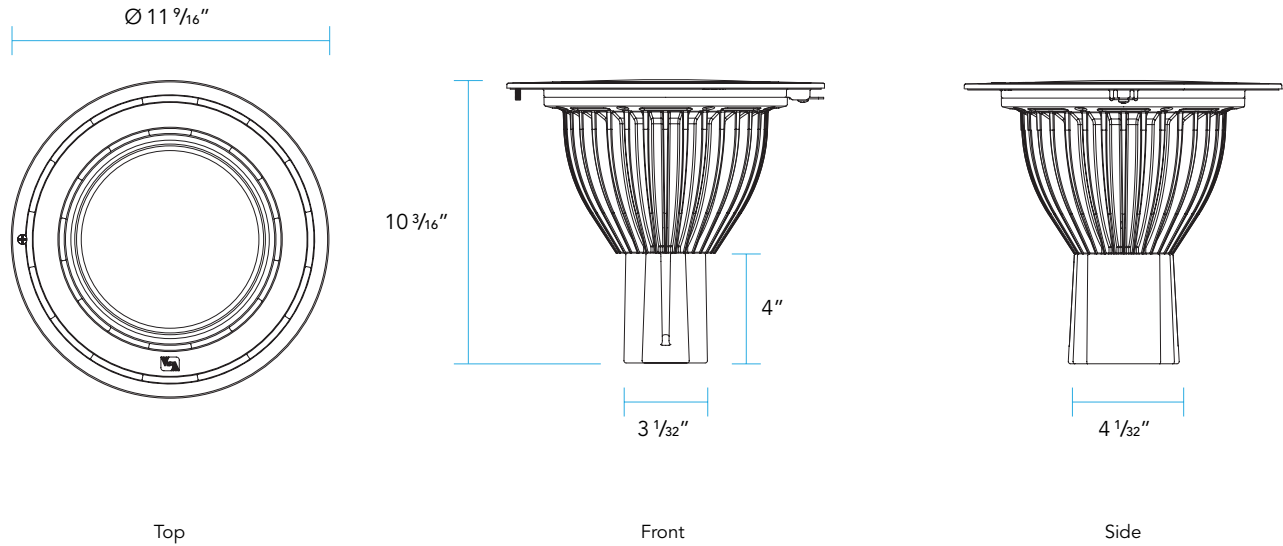
### LIGHT DISTRIBUTION:

Very Narrow Spot **VNS** NEMA 2x2  
Narrow Spot **NS** NEMA 2x2  
Medium Flood **MF** NEMA 4x4  
Wide Flood **WF** NEMA 6x6





**DIMENSIONS**



**DELIVERED LUMENS**

BEAM SPREAD	A	B	C
Very Narrow Spot VNS	34.9 Watts 1699 Lumens		
Narrow Spot NS	28.3 Watts 2180 Lumens	32.3 Watts 2488 Lumens	36.3 Watts 2796 Lumens
Medium Flood MF	27.6 Watts 2120 Lumens	31.5 Watts 2418 Lumens	35.4 Watts 2718 Lumens
Wide Flood WF	29.2 Watts 2532 Lumens	33.3 Watts 2891 Lumens	37.4 Watts 3248 Lumens

