



**MODEL 5274** | Specification Sheet  
Commercial Series • Low Voltage • In-Grade

TYPE:  MODEL:

PROJECT:

**PRODUCT FEATURES**



|            |                          |
|------------|--------------------------|
| Wattage    | 4.5 W or 5.5 W           |
| Voltage    | 9 – 15 VAC               |
| Lumens     | 295 or 389 Lumens        |
| Lamp Type  | MR-16 LED                |
| Housing    | Injection-Molded Polymer |
| Dimensions | 5" DIA x 5" D            |

**ORDERING INFORMATION**

EXAMPLE: **GW-5274-BSN-4.5-W-36-CFR**

| CATEGORY | MODEL | FINISH | LED | ACCESSORIES |
|----------|-------|--------|-----|-------------|
|          | 5274  |        |     |             |

| CATEGORY   | MODEL       | FINISH   | LED  | ACCESSORIES  |  |
|--|-------------|--|--|--|--|
| <b>GW</b> In-Grade<br><b>CM</b> In-Grade Conduit Mount | <b>5274</b> | <b>BSN</b> Natural Brass<br><b>BSO</b> Olde Brass<br><b>SS</b> Stainless Steel | <b>4.5-W-15</b> 4.5 Watts   Warm   15° Narrow Spot<br><b>4.5-W-25</b> 4.5 Watts   Warm   25° Spot<br><b>4.5-W-36</b> 4.5 Watts   Warm   36° Flood<br><b>4.5-W-60</b> 4.5 Watts   Warm   60° Wide Flood | <b>CFR</b> Crowned Frosted Lens<br><b>CBL</b> Crowned Cool Blue Lens<br><b>SL</b> Flat Spread Lens<br><b>DBL</b> Flat Dark Blue Lens<br><b>GL</b> Flat Dark Green Lens<br><b>RL</b> Flat Red Lens<br><b>YL</b> Flat Amber Lens<br><b>HL</b> Honeycomb louver |  |
|  |             |  | <b>5.5-W-15</b> 5.5 Watts   Warm   15° Narrow Spot<br><b>5.5-W-25</b> 5.5 Watts   Warm   25° Spot<br><b>5.5-W-36</b> 5.5 Watts   Warm   36° Flood<br><b>5.5-W-60</b> 5.5 Watts   Warm   60° Wide Flood |  |  |
|  |             |  | <b>NL</b> No Lamp  |  |  |
|  |             |  | <b>ORDERING NOTES</b>  |  |  |
|  |             |  |  |  |  |



**PROFESSIONAL  
OUTDOOR LIGHTING**

www.VistaPro.com • email@vistapro.com • Fax: (888) 670-VISTA (8478)  
1625 Surveyor Avenue • Simi Valley, CA 93063 • (805) 527-0987 • (800) 766-VISTA (8478)

Vista Professional Outdoor Lighting reserves the right to modify the design and/or construction of the fixture shown without further notification.



## SPECIFICATIONS

### HOUSING CONSTRUCTION:

Injection-molded glass-reinforced polymer.

### LENS COVER CONSTRUCTION:

Machined Brass or 304 Stainless Steel.

### FINISH:

Natural Brass, Olde Brass or Natural Stainless Steel lens cover.  
Housing available in black only.

### LENS:

Clear, tempered glass lens.  
Optical effect lenses are available.

### OPTICS/AIMING:

Adjustable lamp bracket provides up to  $\pm 25^\circ$  of tilt as well as  $360^\circ$  rotation of housing for precise beam control. Lamp bracket can be locked into place to prevent disrupting lamp position when relamping.

### MOUNTING:

In-grade. Mounting accessories not required.  
Conduit mount fixtures have two  $\frac{3}{4}$ " NPT inlets on bottom.  
Optional concrete mounting kit available.

### FASTENERS:

All fasteners are stainless steel.

### WIRING:

Prewired with a 36" pigtail of 18-2 direct-burial cable and underground connectors.

### CERTIFICATION:

UL Listed to U.S. and Canadian safety standards for low voltage landscape luminaires (UL 1838).

### LED:

MR-16 LED Lamp.  
295 or 389 Lumens.  
4.5 or 5.5 Watts.

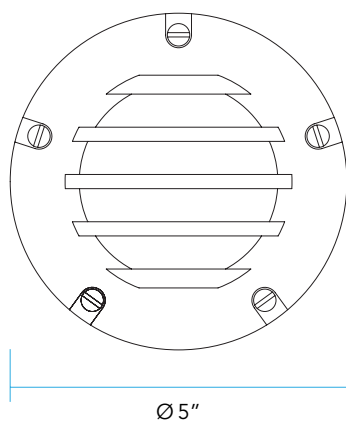
### ELECTRICAL:

Input voltage range 9 - 15 VAC.  
Low voltage transformer required to operate (sold separately).

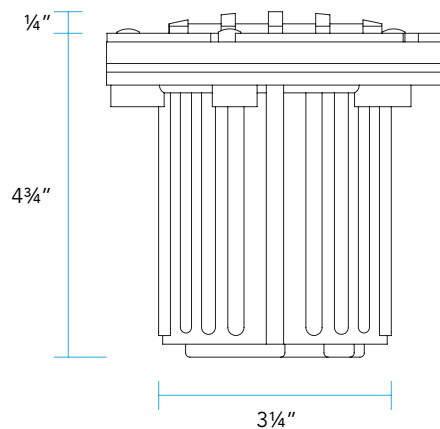
### LIGHT DISTRIBUTION:

Very Narrow Spot **15** ( $15^\circ$ )  
Narrow Spot **25** ( $25^\circ$ )  
Medium Flood **36** ( $36^\circ$ )  
Wide Flood **60** ( $60^\circ$ )

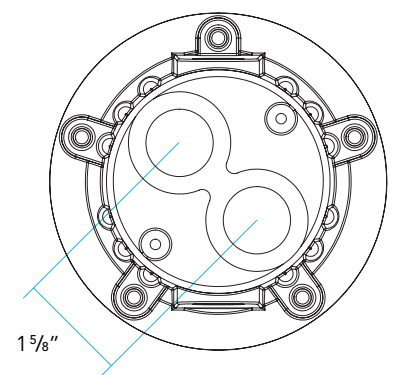
## DIMENSIONS



Top



Side



Bottom

[ conduit mount (CM) option shown ]

