



WARNING: ABK-1470 must be installed and grounded in accordance with the National Electrical Code (NEC) and local codes. Failure to do so will void the warranty and may result in serious injury and or damage to the luminaire or anchor assembly. **UL RECOGNIZED FOR ABOVE GRADE LUMINAIRE INSTALLATION ONLY**

NOTE: Always use UL Listed wire connectors for connections (by others).

NOTE: Save these instructions for future reference.

J-BOLT ANCHOR INSTALLATION

1. Install supplied J-bolt anchor (galvanized J-bolt 1/2-13 thread, 12 inches long) assembly over electrical supply conduit and into concrete. Position the electrical supply conduit such that it passes through the center of the bracket of the J-bolt anchor assembly.

NOTE: Electrical supply conduit ends should be no higher than 3" (76mm) above grade with supply wires loop at a recommended 12" (305mm) minimum length. (See illustration) Maximum conduit number and size: Two (2) 3/4" (25mm) conduits or three (3) 1/2" (20mm) conduits.

2. Orient the J-bolt anchor assembly to ensure that the access door of the 1470 Bollard is in the desired location when the bollard is installed. (See attached illustration).

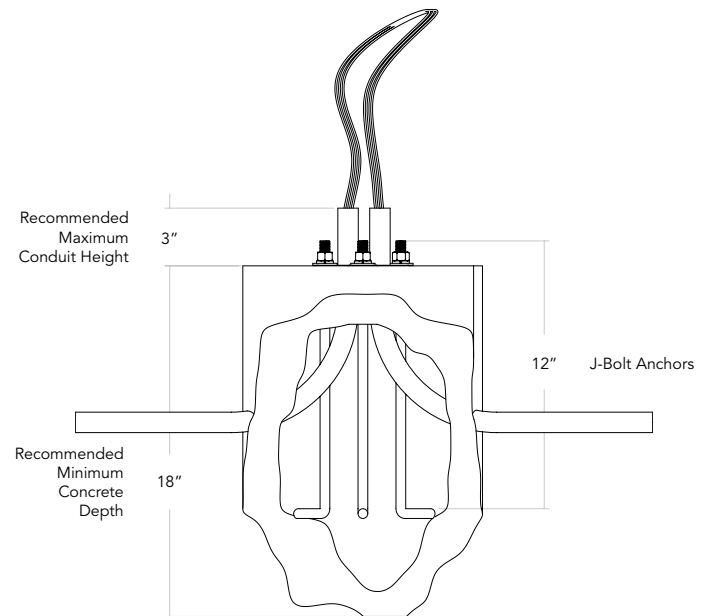
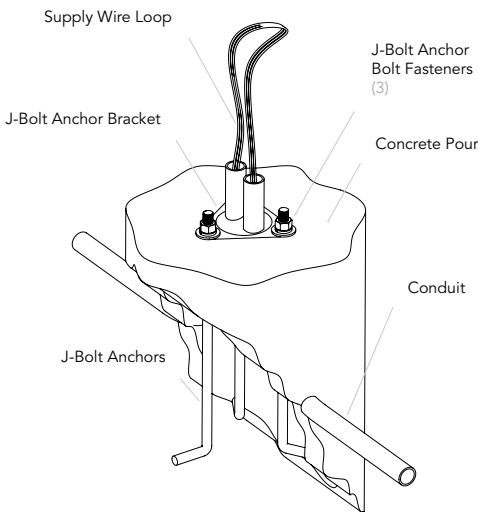
NOTE: For proper bollard installation, the top of the J-bolt anchor assembly bracket must be flush and level with final grade.

3. Pour the concrete pad to the top surface of the J-bolt anchor assembly bracket. For best results, ensure that the top surface of concrete is smooth and level.

NOTE: For proper bollard installation, the anchor bolt top fasteners must be above grade and removable. These will be used later to secure the 1470 Bollard to the J-bolt assembly. The concrete pour around the J-bolt assembly should be a minimum of 12" across the top in any direction and a minimum of 18" deep.

4. Allow concrete pad to cure securing J-bolt anchor assembly into the pad before installing 1470 Bollard fixture.

NOTE: Protect J-bolt and conduit ends from damage prior to installation of 1470 Bollard fixture. See page one of installation instructions for complete assembly.



J-BOLT ORIENTATION FOR BOLLARD

All illustrations are viewed from the top, with the orientation of the J-bolt anchor assembly projecting upward. Front of the bollard is defined as the side opposite of the access door.

