



MODEL 1502 | Border | Specification Sheet
Commercial Series • Step & Marker • LED

TYPE: MODEL:

PROJECT:

PRODUCT FEATURES



Wattage	6.5 W
Voltage	120 – 277 VAC
Lumens	273 Delivered Lumens
Distribution	No-glare, sharp cut-off optics
CCT	2700K, 3000K, 3500K, 4000K
CRI	80 CRI min.
Dimming	0-10V or Phase Cut (TRIAC/ELV-120VAC only) available
Driver	Constant current Class 2 Output
Dimensions	3¼" W x 5¼" H x 4½" D

ORDERING INFORMATION

EXAMPLE: 1502-AB-B-27-MV-PCT-CP-ER-1502-1

MODEL	DOOR COVER	FINISH	COLOR TEMP	VOLTAGE	DIMMING	HOUSING	MOUNTING	ACCESSORIES
1502				MV		CP		

MODEL	DOOR COVER	FINISH					
1502	AB Aluminum Border	Natural Metal Finish		Powder Coat Finish		Custom Finish	
	BB Brass Border	SS Stainless Steel *	B Black	BR Architectural Brick	G Verde	(Consult Factory)	
	SB Stainless Steel Border	BSN Natural Brass **	Z Architectural Bronze	LZ Light Bronze	P Pewter		
		BSO Olde Brass **	DZ Dark Bronze	SB Special Bronze	M Mocha		
		GT Granite	GG Glossy Gray	OF Olde Finish			
			W White	R Rust			
				HG Hunter Green			
				WB Weathered Bronze			
				WI Weathered Iron			
				GM Graphite Metallic			

COLOR TEMP	VOLTAGE	DIMMING	HOUSING	MOUNTING	ACCESSORIES	ORDERING NOTES
27 2700°K	MV Multi Volt	ND Non Dimming	CP Composite	FT Flush Tray ***	ER-1502-1 (1 Extension Ring)	* Stainless Steel Doors only.
30 3000°K		010 0-10V			ER-1502-2 (2 Extension Rings)	** Brass Doors only.
35 3500°K		PCT Phase Cut (TRIAC/ELV-120VAC only)			ER-1502-3 (3 Extension Rings)	*** Flush tray optional. No code required for standard mounting.
40 4000°K					DF1 Diffuser Film	
AMB 595 nm						



PROFESSIONAL
OUTDOOR LIGHTING

www.VistaPro.com • email@vistapro.com • Fax: (888) 670-VISTA (8478)
1625 Surveyor Avenue • Simi Valley, CA 93063 • (805) 527-0987 • (800) 766-VISTA (8478)

Vista Professional Outdoor Lighting reserves the right to modify the design and/or construction of the fixture shown without further notification.



SPECIFICATIONS

HOUSING:

Injection-molded fiber-reinforced polymer Rough-in box with threaded brass inserts. UV stable.

DOOR COVER:

Option of die-cast aluminum, stamped brass or stamped stainless steel.

LENS:

Clear, tempered, shock and heat-resistant soda-lime glass lens.

FINISH:

Powder coat finish for Aluminum Door Cover available in Black, Architectural Bronze, Dark Bronze, Granite, White, Architectural Brick, Light Bronze, Special Bronze, Glossy Gray, Rust, Hunter Green, Weathered Bronze, Weathered Iron, Graphite Metallic, Verde, Pewter, Mocha and Olde Finish.

REFLECTOR:

Segmented specular lighting sheet.
No glare fixed optics.

MOUNTING:

Rough-in box designed for installation in concrete, brick/block, wood frame construction (non-IC) and insulated walls (IC).

FASTENERS/INSERTS:

All fasteners are stainless steel.

CERTIFICATION:

UL Listed to U.S. & Canadian (cUL) safety standards (UL 1598).
Suitable for wet locations. IP66.

LED:

Integrated LED module. 6.5 Watts and 273 Delivered Lumens.

COLOR TEMPERATURE:

2700°K, 3000°K, 3500°K or 4000°K CCT White.

COLOR RENDERING:

80 CRI minimum

OPTICS/AIMING:

No-glare, sharp cut-off optics.

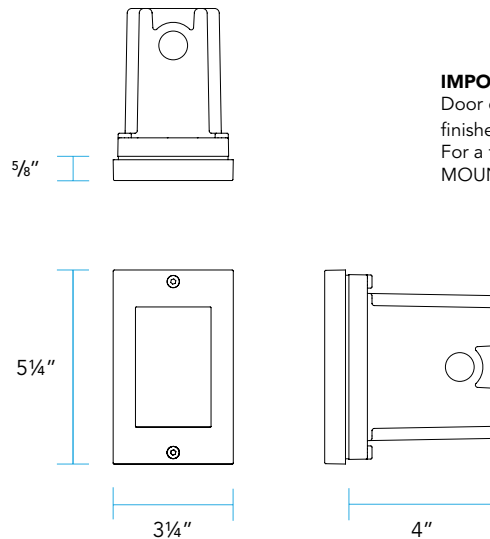
DRIVER:

Integral cUL listed Class 2 LED driver, either non-dimmable ND or dimmable.
Dimming: 0-10V and Phase Cut (TRIAC/ELV-120VAC only) options available.

ELECTRICAL:

Universal voltage input (120- 277VAC) Suitable for through branch wiring.
Four 1/2" NPT conduit entry hubs with knockout membrane standard.

DIMENSIONS



IMPORTANT NOTE:

Door cover will sit proud of front face of Rough-in box (typically finished surface) by 5/8".
For a flush Door Cover appearance, the Flush Tray (FT) MOUNTING must be used.

