



**MODEL 1503** | Glass Door | Specification Sheet  
Commercial Series • Step & Marker • LED

TYPE:  MODEL:   
PROJECT:

**PRODUCT FEATURES**



Wattage	11 W
Voltage	120 – 277 VAC
Lumens	474 Delivered Lumens
Distribution	Forward Throw with ± 15° of Adjustment
CCT	2700K, 3000K, 3500K, 4000K
CRI	80 CRI min.
Dimming	0-10V or Phase Cut (TRIAC/ELV-120VAC only) available
Driver	Constant current Class 2 Output
Dimensions	9" W x 4" H x 4 5/8" D



**ORDERING INFORMATION**

EXAMPLE: 1503-GB-B-27-MV-PCT-CP-ER-1503-1

MODEL	DOOR COVER	FINISH	COLOR TEMP	VOLTAGE	DIMMING	HOUSING	MOUNTING	ACCESSORIES
1503	GB	B		MV		CP		

MODEL	DOOR COVER	FINISH	COLOR TEMP	VOLTAGE
<b>1503</b>	<b>GB</b> Glass Border	<b>B</b> Black	<b>27</b> 2700°K <b>30</b> 3000°K <b>35</b> 3500°K <b>40</b> 4000°K <b>AMB</b> 595 nm	<b>MV</b> Multi Volt
DIMMING	HOUSING	MOUNTING	ACCESSORIES	ORDERING NOTES
<b>ND</b> Non Dimming <b>010</b> 0-10V <b>PCT</b> Phase Cut (TRIAC/ELV-120VAC only)	<b>CP</b> Composite	<b>FT</b> Flush Tray *	<b>ER-1503-1</b> (1 Extension Ring) <b>ER-1503-2</b> (2 Extension Rings) <b>ER-1503-3</b> (3 Extension Rings) <b>DF1</b> Diffuser Film	* Flush tray optional. No code required for standard mounting.



PROFESSIONAL  
OUTDOOR LIGHTING

www.VistaPro.com • email@vistapro.com • Fax: (888) 670-VISTA (8478)  
1625 Surveyor Avenue • Simi Valley, CA 93063 • (805) 527-0987 • (800) 766-VISTA (8478)

Vista Professional Outdoor Lighting reserves the right to modify the design and/or construction of the fixture shown without further notification.



## SPECIFICATIONS

**HOUSING:**

Injection-molded fiber-reinforced polymer Rough-in box with threaded brass inserts. UV stable.

**DOOR COVER / LENS:**

Tempered, shock and heat-resistant soda-lime glass.

**FINISH:**

Glass Border available in Black.

**REFLECTOR:**

Extruded aluminum, satin etched. Adjustable  $\pm 15^\circ$  from preset  $0^\circ$  position.

**MOUNTING:**

Rough-in box designed for installation in concrete, brick/block, wood frame construction (non-IC) and insulated walls (IC).

**FASTENERS/INSERTS:**

All fasteners are stainless steel.

**CERTIFICATION:**

UL Listed to U.S. & Canadian (cUL) safety standards (UL 1598). Suitable for wet locations. IP66.

**LED:**

Integrated LED module. 11 Watts and 474 Delivered Lumens.

**COLOR TEMPERATURE:**

2700°K, 3000°K, 3500°K or 4000°K CCT White.

**COLOR RENDERING:**

80 CRI minimum

**OPTICS/AIMING:**

No-glare optics. Hot-aiming adjustable performance optic assembly.  $30^\circ$  of adjustment for precise beam control.

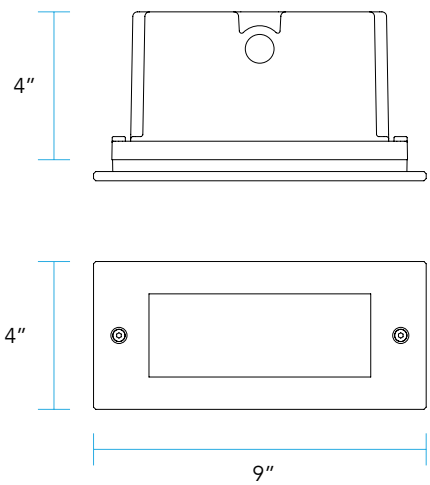
**DRIVER:**

Integral cUL listed Class 2 LED driver, either non-dimmable ND or dimmable. Dimming: 0-10V and Phase Cut (TRIAC/ELV-120VAC only) options available.

**ELECTRICAL:**

Universal voltage input (120- 277VAC) Suitable for through branch wiring. Four  $\frac{1}{2}$ " NPT conduit entry hubs with knockout membrane standard.

## DIMENSIONS



**IMPORTANT NOTE:**

Door cover will sit proud of front face of Rough-in box (typically finished surface) by  $\frac{5}{8}$ ". For a flush Door Cover appearance, the Flush Tray (FT) MOUNTING must be used.

