



MODEL RK91 | Specification Sheet
Commercial Series • In-Grade Retrofit • LED

TYPE: MODEL:

PROJECT:

PRODUCT FEATURES



| | |
|--------------|--|
| Wattage | 28 – 37 W |
| Voltage | 120 – 277 VAC |
| Lumens | 1700 – 3248 Delivered Lumens |
| Distribution | NEMA type [H x V]: 2x2 (VNS), 2x2 (NS), 5x4 (MF), 6x6 (WF), 5x5 (WW) |
| CCT | 2700K, 3000K, 3500K, 4000K, 5000K |
| CRI | 80 CRI min. |
| Dimming | 0-10V or Phase Cut (TRIAC/ELV-120VAC only) available |
| Driver | Multi-Volt 120-277VAC with tri-modal dimming capabilities |
| Dimensions | 11 5/16" DIA x 10 3/16" D |



ORDERING INFORMATION

EXAMPLE: *RK91-GM-MF-27-B-MV-CX-PCT-TO10*

| MODEL | FINISH | DIST | TEMP | LUMENS | VOLTAGE | LENS | DIMMING | ACC |
|-------|--------|------|------|--------|---------|------|---------|-----|
| RK91 | | | | | MV | | | |

| MODEL | DOOR FINISH | | | DISTRIBUTION | | COLOR TEMP | | DELIVERED LUMENS | |
|-------|-------------------------------|----------------------------|-----------------------------|-------------------------------|-----------------|----------------------|--|------------------|--|
| RK91 | B Black | LZ Light Bronze | WI Weathered Iron | VNS Very Narrow Spot * | 27 2700K | A 1700 - 2000 | | | |
| | Z Architectural Bronze | SB Special Bronze | GM Graphite Metallic | NS Narrow Spot | 30 3000K | B 2000 - 2500 | | | |
| | DZ Dark Bronze | GG Glossy Gray | G Verde | MF Medium Flood | 35 3500K | C 2500 - 3000 | | | |
| | GT Granite | R Rust | P Pewter | WF Wide Flood | 40 4000K | | | | |
| | W White | HG Hunter Green | M Mocha | | 50 5000K | | | | |
| | BR Architectural Brick | WB Weathered Bronze | OF Olde Finish | | | | | | |

| VOLTAGE | LENS | DIMMING | ACCESSORIES | | | ORDERING NOTES |
|--------------------------------------|--|---|---|---|---|----------------|
| MV Multi Volt (120 - 277 VAC) | CX Crowned Clear AX Anti Slip Clear | ND Non Dimming 010 0-10V PCT Phase Cut (TRIAC/ELV-120VAC only) | T05 Tilt Optic 5° T010 Tilt Optic 10° T015 Tilt Optic 15° T025 Tilt Optic 25° DF Diffuse Filter LSF Linear Spread Filter RBK Rebar Bracket Kit | STR Stainless Steel Trim Ring HS Half Glare Shield YL Yellow Lens ** RL Red Lens ** BL Blue Lens ** GL Green Lens ** | <p>* RK91-VNS not available with B & C lumen packages.</p> <p>** Colored Lenses not available with B & C Lumen packages.</p> <p>WW Wall Wash distribution available by ordering with the following options: MF LSF TO15</p> | |



PROFESSIONAL OUTDOOR LIGHTING

www.VistaPro.com • email@vistapro.com • Fax: (888) 670-VISTA (8478)
1625 Surveyor Avenue • Simi Valley, CA 93063 • (805) 527-0987 • (800) 766-VISTA (8478)

Vista Professional Outdoor Lighting reserves the right to modify the design and/or construction of the fixture shown without further notification.



SPECIFICATIONS

DESCRIPTION:

RK91 LED Retrofit Kit, for use in Hydrel's® 9100 series. Retrofit Kit includes factory sealed LED module with integrated driver, fully potted and thermally protected.

DOOR:

TYPE III hard anodized/powder coat Die-cast A360 aluminum.
A captive stainless steel fastener and door catch affixed to a ventilated door. Inner vents allow hot air to escape from around optic housing while outer vents allow cool air to enter fixture housing.

OPTIC HOUSING:

TYPE III hard anodized and Thermkote treated Die-cast A360 aluminum. Finned for maximum heat dissipation. Optic and driver compartment separately sealed while being electrically connected.

DRIVER COMPARTMENT:

Injection-molded PPS for maximum corrosion protection. Driver compartment houses electronic LED driver and thermostat which cuts power to fixture in abnormal ambient temperature conditions. Driver compartment is completely epoxy potted to protect electronics from moisture.

DOOR FINISH:

Powder coat finish available in Black, Architectural Bronze, Dark Bronze, Granite, White, Architectural Brick, Light Bronze, Special Bronze, Glossy Gray, Rust, Hunter Green, Weathered Bronze, Weathered Iron, Graphite Metallic, Verde, Pewter, Mocha and Olde Finish. Custom Powder coat finishes available on request.

LENS:

1/2" thick tempered pressed clear glass. Optional anti-slip clear lens.

REFLECTOR:

Specular or semi-specular spun aluminum optics, anodized for maximum performance. Very Narrow Spot optic incorporates an additional internal source shield to eliminate unwanted glare outside the beam pattern.

LED:

Performance COB LEDs in various color temperatures.
28 – 37 Watts.
1700 – 3248 Delivered Lumens

COLOR TEMPERATURE:

2700K, 3000K, 3500K, 4000K or 5000K CCT White.

COLOR RENDERING:

80 CRI minimum

OPTICS/AIMING:

Specular or semi-specular optics designed for maximum performance and uniformity.
Fixture aiming achieved via a series of tilt optic lenses and patented magnetic aiming system. Additional tilt optic lenses available.
Very Narrow Spot optic incorporates an additional internal source shield to eliminate unwanted glare outside the beam pattern.

ACCESSORIES:

Tilt Optic 5° **TO5**, Tilt Optic 10° **TO10**, Tilt Optic 15° **TO15**, Tilt Optic 25° **TO25**, Diffuse Filter **DF**, Linear Spread Filter **LSF**, Rebar Bracket Kit **RBK**, Stainless Trim Ring **STR**, Half Glare Shield **HS** available.

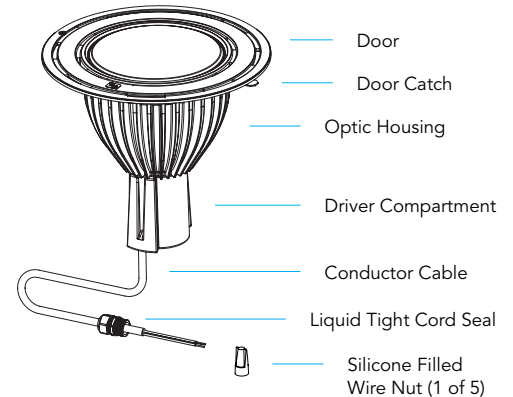
Dichroic Lenses: Yellow **YL**, Red **RL**, Blue **BL** and Green **GL** also available.

WIRING:

- 18/3 SEOWW outdoor rated waterproof cable [for Non-dimmable and Phase Cut (TRIAC/ELV-120VAC only) options]
- 18/5 SJTOW outdoor rated waterproof cable [for 0-10V dimming option]

CERTIFICATIONS | STANDARDS | COMPLIANCE:

- Edison Testing Laboratories Certified for wet locations (**ETL**)
- Ingress Protection Rating: **IP68**
- Buy American Act (**BAA**)
- Build America, Buy America Act (**BABA**)



DRIVER:

Multi-Volt **MV** 120V-277V equipped with tri-modal dimming capabilities.
Start up/Operating Temperature: -10°C to +50°C.
Non-dimmable, 0-10V and Phase Cut (TRIAC/ELV-120VAC only) options available.

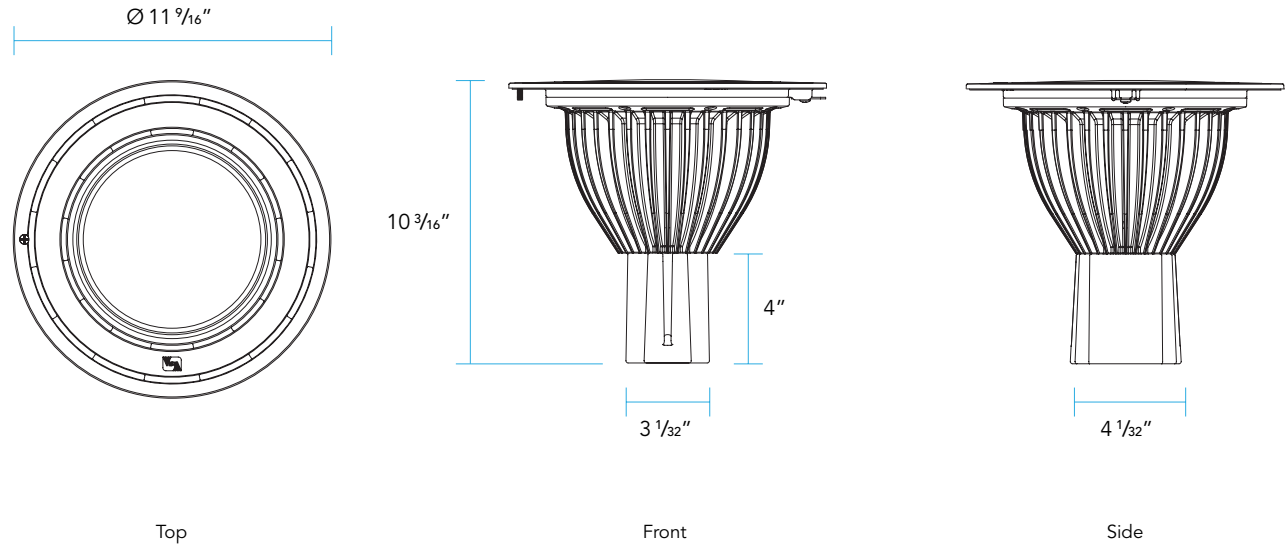
LIGHT DISTRIBUTION:

- Very Narrow Spot **VNS** NEMA 2x2
- Narrow Spot **NS** NEMA 2x2
- Medium Flood **MF** NEMA 5x4
- Wide Flood **WF** NEMA 6x6
- Wall Wash **WW** NEMA 5x5 (RK91-MF-A-CX-LSF-TO15)





DIMENSIONS



DELIVERED LUMENS

| BEAM SPREAD | A | B | C |
|-------------------------|---------------------------|---------------------------|---------------------------|
| Very Narrow Spot VNS | 34.9 Watts 1699 Lumens | | |
| Narrow Spot NS | 28.3 Watts 2180 Lumens | 32.3 Watts 2488 Lumens | 36.3 Watts 2796 Lumens |
| Medium Flood MF | 27.6 Watts 2120 Lumens | 31.5 Watts 2418 Lumens | 35.4 Watts 2718 Lumens |
| Wide Flood WF | 29.2 Watts 2532 Lumens | 33.3 Watts 2891 Lumens | 37.4 Watts 3248 Lumens |
| Wall Wash WW | 28.1 Watts 1730 Lumens | 32.0 Watts 1977 Lumens | 36.0 Watts 2225 Lumens |

Wall Wash **WW**: RK91-MF-A-CX-LSF-TO15

