



MODEL 1502 | Glass Door | Specification Sheet
Commercial Series • Step & Marker • LED

TYPE: MODEL:
PROJECT:

PRODUCT FEATURES



Wattage	6.5 W
Voltage	120 – 277 VAC
Lumens	273 Delivered Lumens
Distribution	No-glare, sharp cut-off optics
CCT	2700K, 3000K, 3500K, 4000K
CRI	80 CRI min.
Dimming	0-10V or Phase Cut (TRIAC/ELV-120VAC only) available
Driver	Constant current Class 2 Output
Dimensions	4" W x 6" H x 4 5/8" D



ORDERING INFORMATION

EXAMPLE: 1502-GB-B-27-MV-PCT-CP-ER-1502-1

MODEL	DOOR COVER	FINISH	COLOR TEMP	VOLTAGE	DIMMING	HOUSING	MOUNTING	ACCESSORIES
1502	GB	B		MV		CP		

MODEL	DOOR COVER	FINISH	COLOR TEMP	VOLTAGE
1502	GB Glass Border	B Black	27 2700°K 30 3000°K 35 3500°K 40 4000°K AMB 595 nm	MV Multi Volt
DIMMING	HOUSING	MOUNTING	ACCESSORIES	ORDERING NOTES
ND Non Dimming 010 0-10V PCT Phase Cut (TRIAC/ELV-120VAC only)	CP Composite	FT Flush Tray *	ER-1502-1 (1 Extension Ring) ER-1502-2 (2 Extension Rings) ER-1502-3 (3 Extension Rings) DF1 Diffuser Film	* Flush tray optional. No code required for standard mounting.



PROFESSIONAL
OUTDOOR LIGHTING

www.VistaPro.com • email@vistapro.com • Fax: (888) 670-VISTA (8478)
1625 Surveyor Avenue • Simi Valley, CA 93063 • (805) 527-0987 • (800) 766-VISTA (8478)

Vista Professional Outdoor Lighting reserves the right to modify the design and/or construction of the fixture shown without further notification.



SPECIFICATIONS

HOUSING:

Injection-molded fiber-reinforced polymer Rough-in box with threaded brass inserts. UV stable.

DOOR COVER / LENS:

Tempered, shock and heat-resistant soda-lime glass.

FINISH:

Glass Border available in Black.

REFLECTOR:

Segmented specular lighting sheet.
No glare fixed optics.

MOUNTING:

Rough-in box designed for installation in concrete, brick/block, wood frame construction (non-IC) and insulated walls (IC).

FASTENERS/INSERTS:

All fasteners are stainless steel.

CERTIFICATION:

UL Listed to U.S. & Canadian (cUL) safety standards (UL 1598). Suitable for wet locations. IP66.

LED:

Integrated LED module. 6.5 Watts and 273 Delivered Lumens.

COLOR TEMPERATURE:

2700°K, 3000°K, 3500°K or 4000°K CCT White.

COLOR RENDERING:

80 CRI minimum

OPTICS/AIMING:

No-glare, sharp cut-off optics.

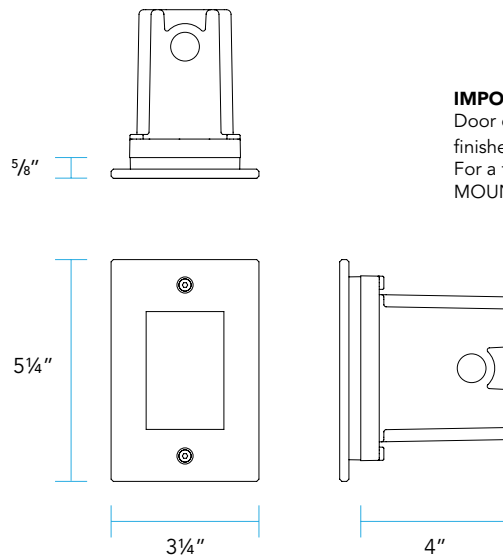
DRIVER:

Integral cUL listed Class 2 LED driver, either non-dimmable ND or dimmable. Dimming: 0-10V and Phase Cut (TRIAC/ELV-120VAC only) options available.

ELECTRICAL:

Universal voltage input (120- 277VAC) Suitable for through branch wiring. Four ½" NPT conduit entry hubs with knockout membrane standard.

DIMENSIONS



IMPORTANT NOTE:

Door cover will sit proud of front face of Rough-in box (typically finished surface) by 5/8".
For a flush Door Cover appearance, the Flush Tray (FT) MOUNTING must be used.

