

## INSTALLATION INSTRUCTIONS

**WARNING:** Luminaire junction box fitting must be installed and grounded in accordance with the National Electrical Code (NEC) and local codes. Failure to do so will void the warranty and may result in serious injury and or damage to the luminaire junction box.

**NOTE:** Always use UL Listed wire connectors for connections (by others).

**NOTE:** Save these instructions for future reference.

**LUMINAIRE JUNCTION BOX IS UL RECOGNIZED FOR ABOVE GRADE INSTALLATION ONLY.**



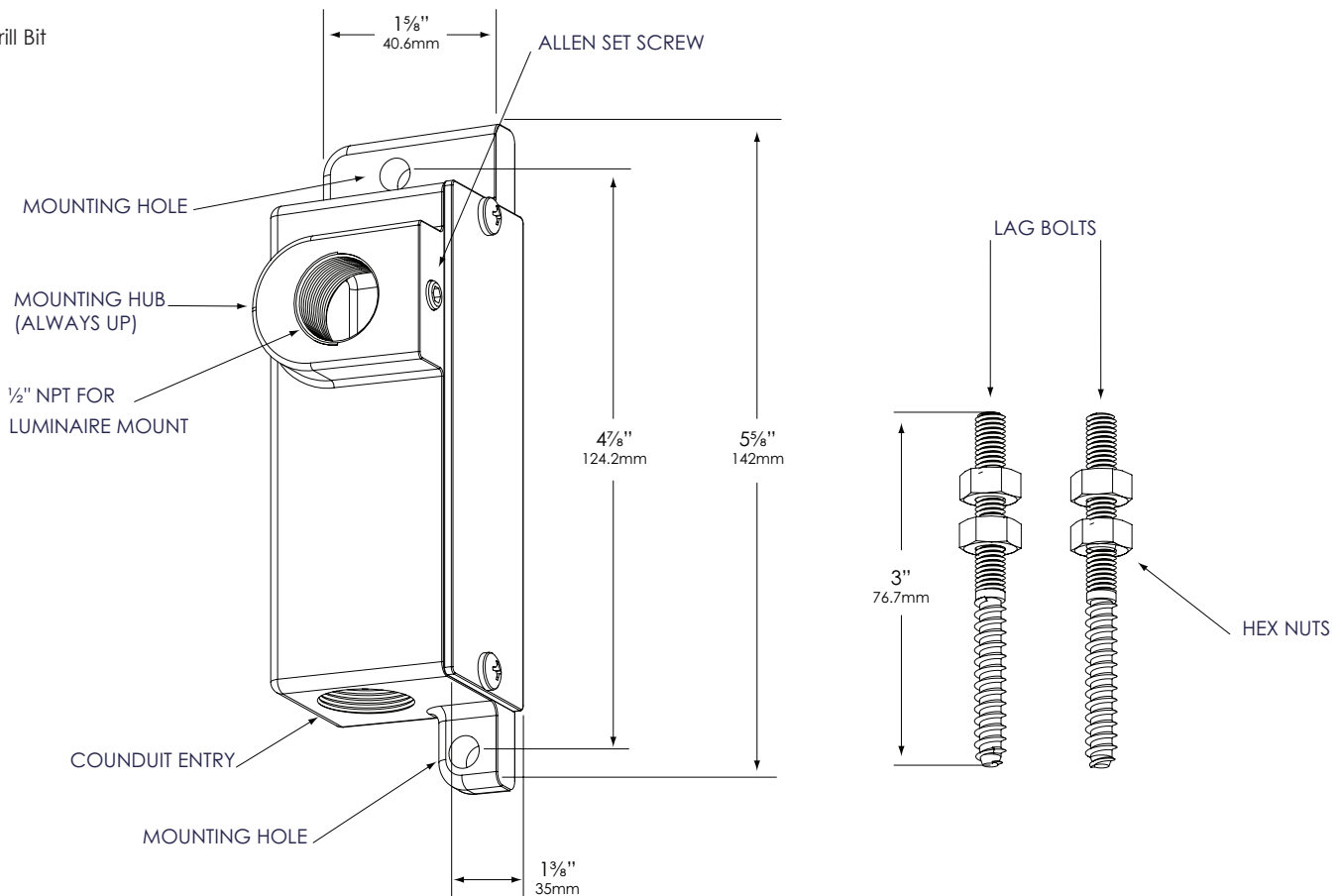
### TREE MOUNT JUNCTION BOX INSTALLATION:

1. Place Tree Mount Box at desired location on tree **with mounting hub always at top**.
  2. Using a drill, mark pilot holes by inserting drill bit through each mounting hole of junction box.
  3. Drill pilot holes to approximately 1" depth to ease installation of lag bolts (provided).
  4. Thread one hex nut (provided) on each lag bolt. Insert lag bolts (wood screw side) in pilot holes and tighten using a 7/16 wrench.
  5. Place box on tree lining up mounting holes to lag bolts.
  6. Install remaining two (2) hex nuts on lag bolts to lock in place.
- NOTE:** Hex nuts may be adjusted to accommodate future tree growth as well as angle adjustment of junction box.

7. Secure conduit (by others) to bottom ½" NPT fitting, using a UL Listed/ CN ½" NPT fitting connector, and feed wires through.
8. Attach green ground wire to green ground screw terminal.
9. Thread luminaire into ½" NPT fitting and secure with Allen screw (provided) at desired location.
10. Attach luminaire leads to circuit leads observing polarity, black to black, white to white and green to ground.
11. Insert all wires into box and secure front cover using gasket (provided) and two (2) Phillips head screws (provided).
12. Supply power to junction box and check for proper operation.

### TOOLS REQUIRED FOR INSTALLATION:

- Wire strippers
- Phillips head screwdriver
- 7/16 Wrench
- 1/8 Allen Wrench
- Drill
- 5/32 Drill Bit



Vista Professional Outdoor Lighting reserves the right to modify the design and/or construction of the fixture shown without further notification.