



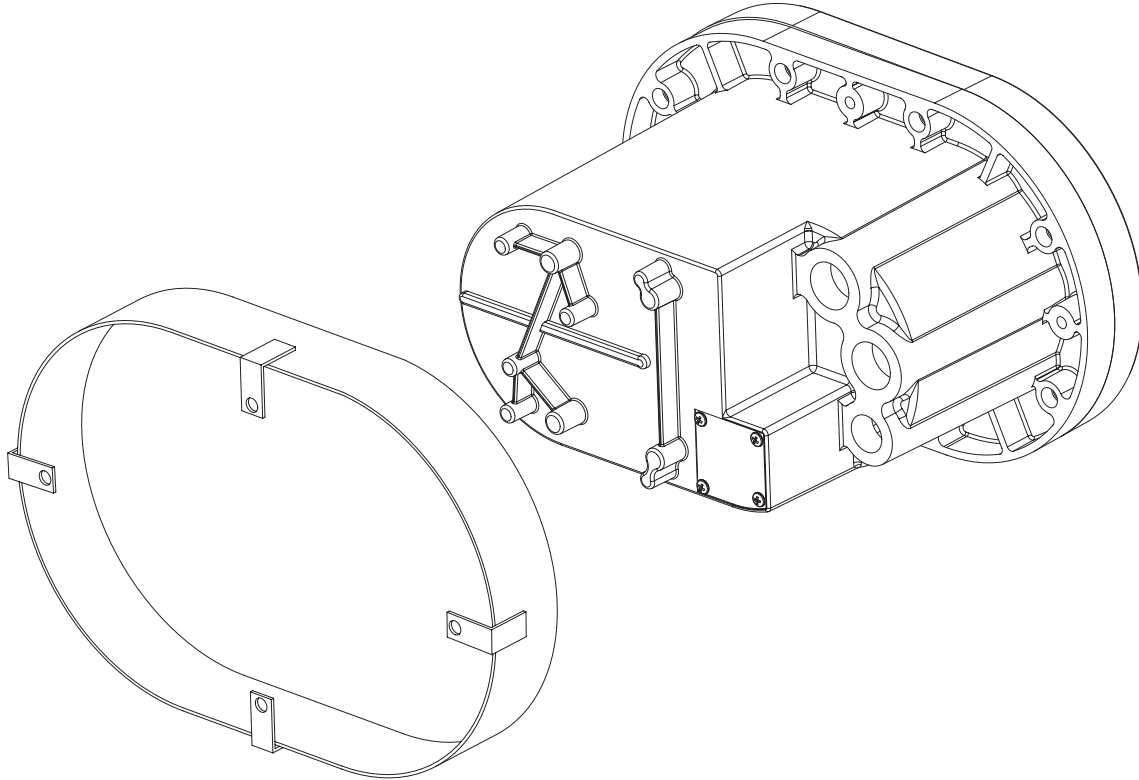
**VISTA
PROFESSIONAL
OUTDOOR
LIGHTING**

INSTALLATION INSTRUCTIONS

CGB-150

Accessories

Concrete Pour Kit



IN-GRADE CONCRETE MOUNTING:

1. Install CGB-150 concrete mounting guard making sure the top edge of the ring lines up with the top edge of the lens cover. Secure side bands to the bottom of fixture with #10 self-tapping screws provided. (Side bands of CGB-150 may be bent outward to adjust the fit of the top ring.)
2. Continue with instructions for concrete pour installation stated on CGB1.