

INSTALLATION INSTRUCTIONS - MOUNTING

IMPORTANT NOTE:

- Luminaire must be installed and grounded in accordance with the National Electrical Code (NEC) and local codes.
- Luminaire is UL listed for above grade installation only.
- Always use UL recognized wire connectors for connections.

MAINTENANCE: To assure proper operation and efficiency, all access doors, seals and anchor bolts must be properly secured. All splice connections must be positioned such that flooding does not immerse connections. A regular scheduled maintenance program is recommended.

SAFETY WARNING: Luminaire can become hot. Take care when locating luminaire.

NOTE: Save these instructions for future reference.

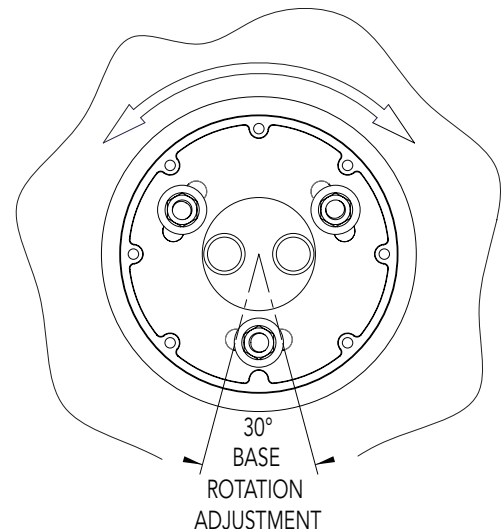
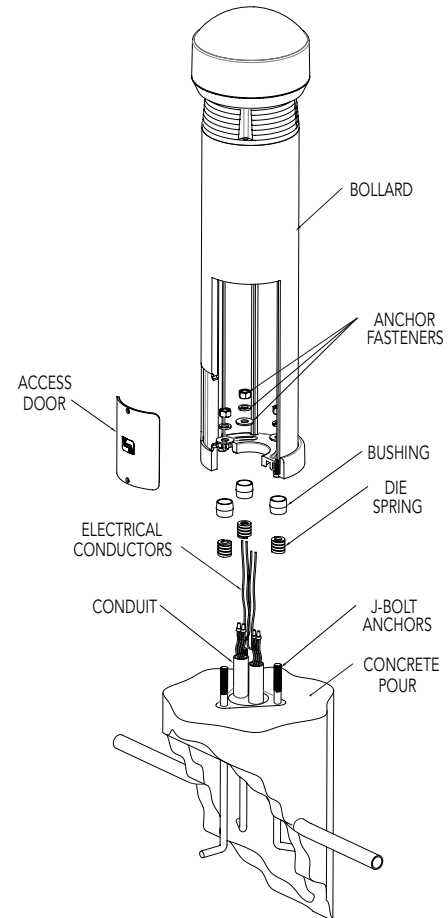
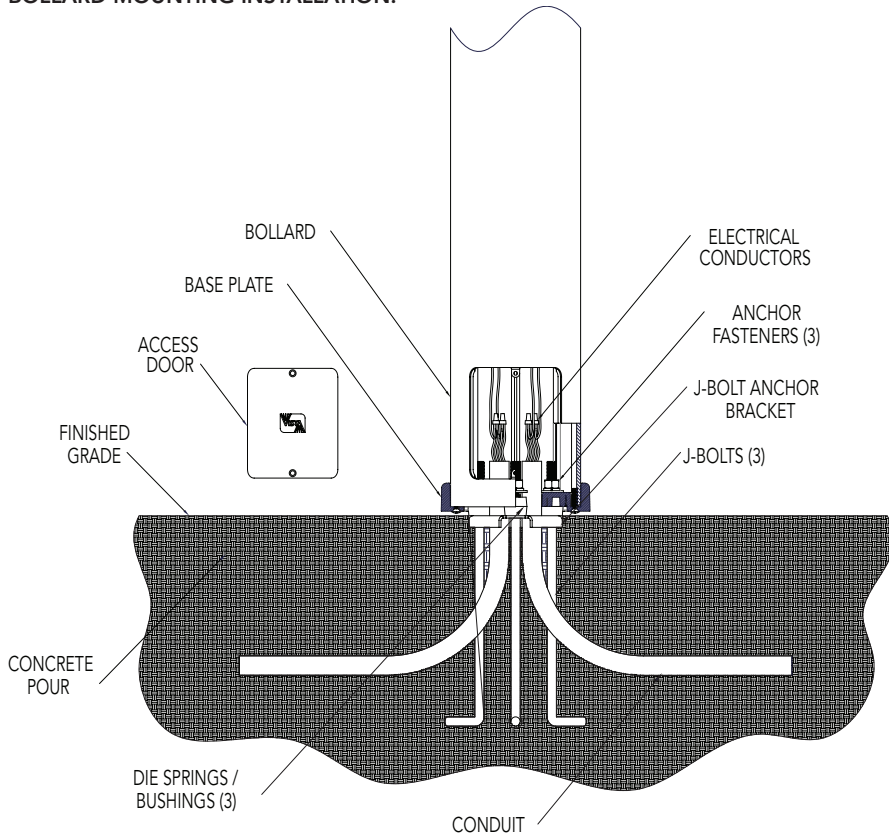
BOLLARD MOUNTING INSTALLATION INSTRUCTIONS:

1. Verify that the power is off at the supply source.
2. Remove the anchor bolt top fasteners and bollard access door before installing the bollard.
3. Place a die spring and bushing over each of the projecting J-bolts.
4. Select the orientation of bollard relative to J-bolts.
5. Route the supply wires through the center access hole of the base plate. Place the bollard upright onto the anchor bolts, fitting the bushings into the radial slot features in the bollard base. Rotate the bollard about the J-bolts to properly aim the fixture.
6. Secure the fixture to anchor bolts using the supplied anchor bolt top fasteners.
7. Tighten each of the three (3) anchor bolt nuts until the bollard is properly leveled.
8. Verify that supply voltage matches fixture voltage. Make electrical connections to the fixture inside the bollard housing.

NOTE: All electrical splices are to be made as prescribed by the National Electrical Code (NEC) or other relevant codes. Attach ground wire to an approved ground source.

9. Re-install the bollard access door securely with supplied fasteners.
10. Re-energize electrical service and check for proper operation.

BOLLARD MOUNTING INSTALLATION:



Vista Professional Outdoor Lighting reserves the right to modify the design and/or construction of the fixture shown without further notification.