



MAGNETIC AIMING INSTRUCTIONS

IMPORTANT NOTE:

- Luminaire must be installed and grounded in accordance with the National Electrical Code (NEC) and local codes.
- All conduit entries must be sealed from moisture. Use appropriate sealing material on conduit fittings and conduit closure plugs.
- Luminaire is wet location listed and suitable for mounting in-grade.
- Suitable for all types of construction including poured concrete construction and in soil applications.
- Suitable for through wiring: Max. of (4) No. 12 AWG conductors (plus ground) rated for 90°C.

WARNING: Debris must be kept clear from top and interior of in-grade fixtures. Excessive heat could occur that may create a fire hazard and/or harm the fixture components. Specific attention must be made to never install in-grade fixtures in mulch, wood chips or other potentially ignitable materials. Failure to do so will void the warranty and may result in serious injury and/or damage to the fixture and/or property.

SAFETY WARNING: Luminaire can become very hot depending on the lamp wattage used. Lens and housing around the lamp can become hot enough to blister hands. Particular care should be taken not to locate luminaires where small children can reach them if high wattage lamps are used.

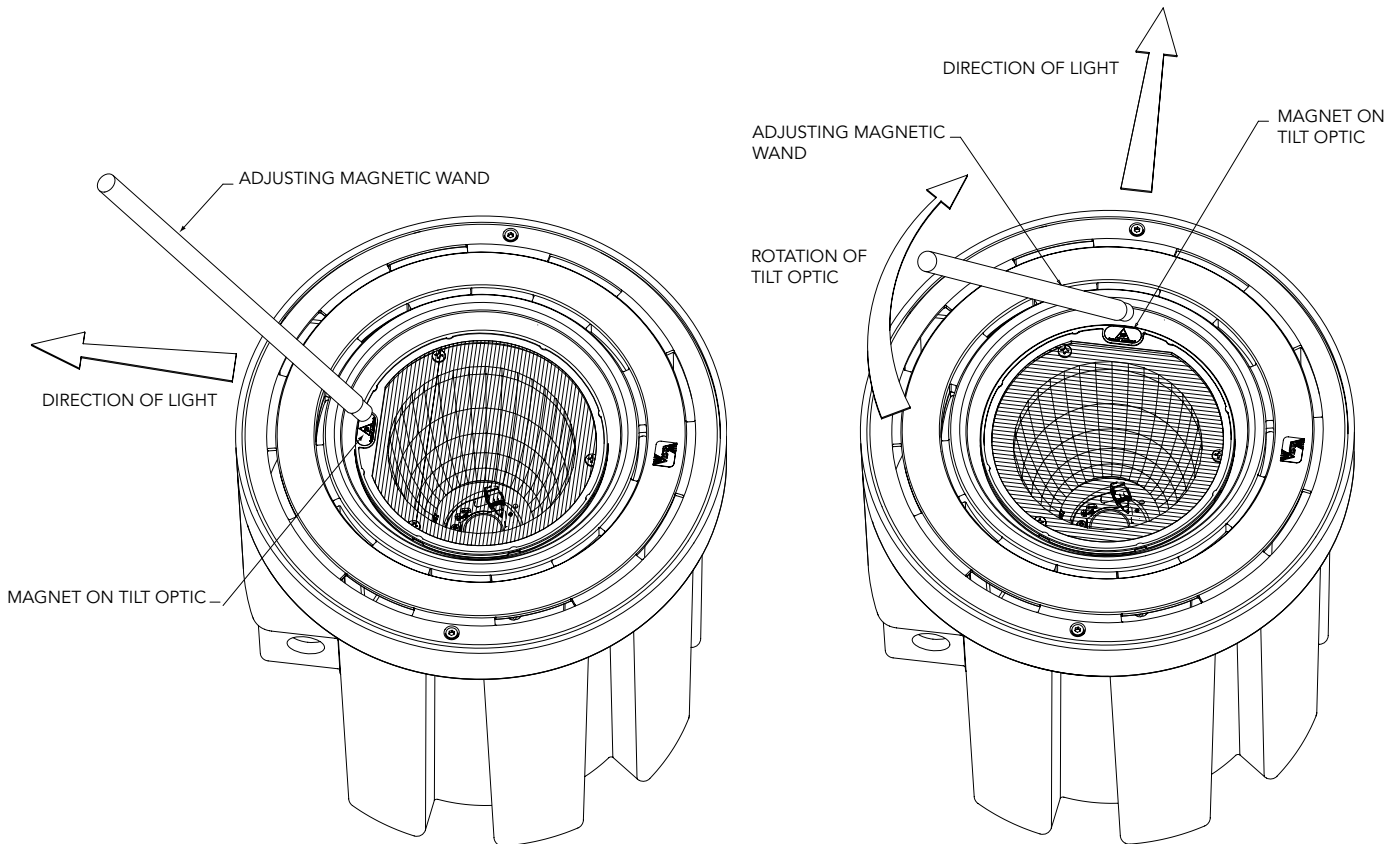
MAINTENANCE: To assure proper operation and efficiency and to prevent luminaire overheating, lens must be kept clean and free of dirt, dust, leaves, trash and mineral deposits from water. A regular schedule maintenance program is recommended.

NOTE: Save these instructions for future reference.



MAGNETIC AIMING INSTRUCTIONS:

1. Install the fixture per installation instructions provided.
2. With the fixture on, place the tip of the adjusting magnetic wand (supplied when a tilt optic option is ordered) against the glass lens over the triangular indicating mark.
3. Rotate the wand to the desired aiming position. The tilt optic will rotate within the fixture as long as the tip of the wand is against the glass lens.
4. Once aimed correctly, remove the adjusting magnetic wand.



Vista Professional Outdoor Lighting reserves the right to modify the design and/or construction of the fixture shown without further notification.