



INSTALLATION INSTRUCTIONS

IMPORTANT NOTE:

- Luminaire must be installed and grounded in accordance with the National Electrical Code (NEC) and local codes.
- Luminaire is UL listed for above grade installation only.
- Always use UL recognized wire connectors for connections.
- For portable stake or surface mount using a cord and plug, the luminaire must be plugged into a receptacle protected by a ground fault circuit interrupter (GFI). Failure to do so may result in serious injury and/or damage to the luminaire.

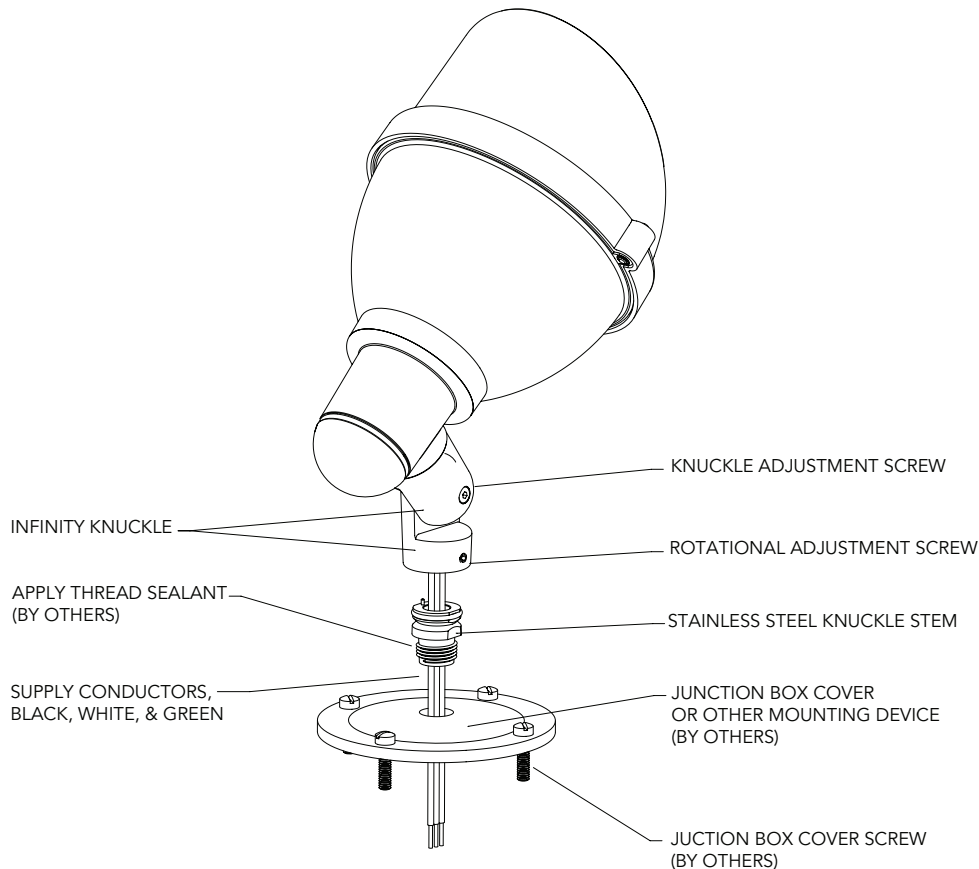
MAINTENANCE: To assure proper operation and efficiency and to prevent luminaire overheating, lens must be kept clean and free of dirt, dust, leaves, trash and mineral deposits from water. A regular schedule maintenance program is recommended.

SAFETY WARNING: Luminaire can become very hot depending on the lamp wattage used. Lens and housing around the lamp can become hot enough to blister hands. Particular care should be taken not to locate luminaires where small children can reach them if high wattage lamps are used.

NOTE: Save these instructions for future reference.

LUMINAIRE MOUNTING (Infinity Knuckle):

1. Make sure electrical supply is off at circuit breaker before starting luminaire installation or servicing luminaire.
2. Thread stainless steel knuckle stem onto junction box or other mounting device using thread sealant.
3. Route luminaire supply conductors through stainless steel knuckle stem and seat luminaire onto stainless steel knuckle stem.
4. Attach luminaire supply conductors to line-in leads observing polarity, black to black, white to white and green to ground using silicone filled safety connectors (provided).
5. Attach junction box cover with luminaire to junction box (by others). Make sure not to pinch wires that may be sandwiched between cover and box.
6. Coat exposed luminaire threads with thread sealant to keep moisture from entering junction box or other mounting device.
7. To adjust luminaire aiming angle, loosen adjustable knuckle screw. Do not disengage completely. Hold luminaire at selected angle and tighten knuckle screw firmly.
8. To adjust luminaire rotational direction, loosen rotational adjustment screw. Rotate fixture to desired position then tighten rotational adjustment screw.
9. Install lamp (see reverse).
10. Coat all exposed screws with silicone grease.
11. Supply power to the luminaire and check for proper operation.



Vista Professional Outdoor Lighting reserves the right to modify the design and/or construction of the fixture shown without further notification.



LAMP INSTALLATION/REPLACEMENT

**IMPORTANT SAFETY INSTRUCTIONS
THE LIGHTED LAMP IS HOT!!**

WARNING: TO REDUCE THE RISK OF FIRE, OR INJURY TO PERSONS:

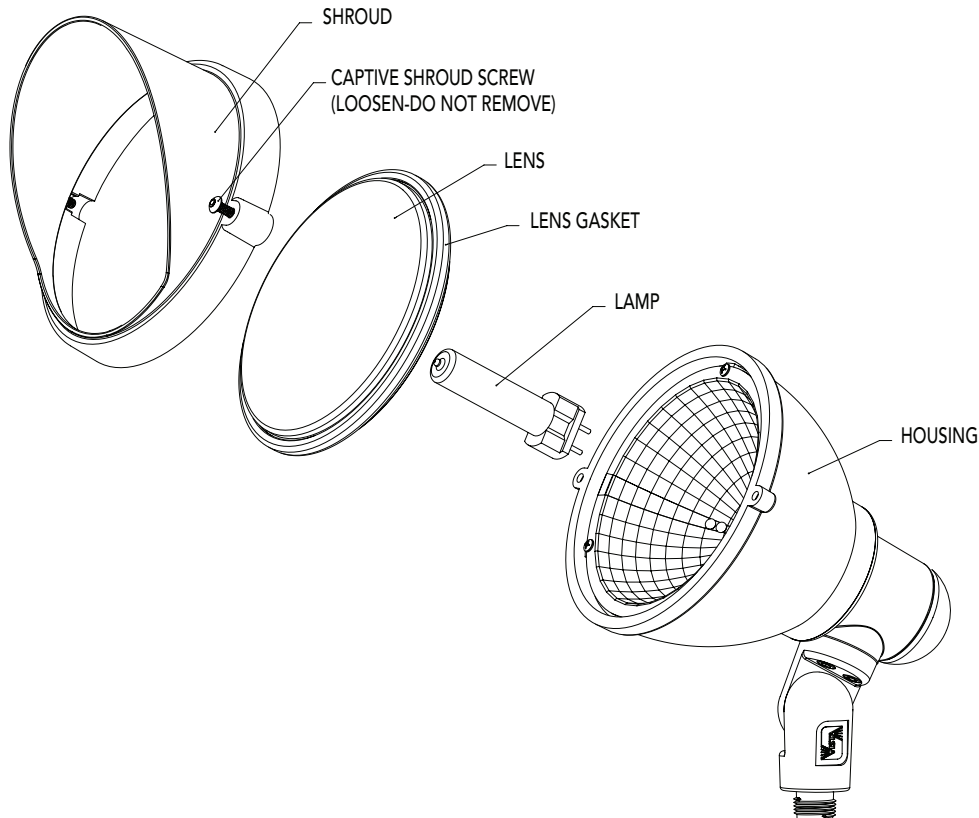
1. Turn off/unplug and allow to cool before replacing lamp.
2. Lamps get hot quickly! Contact only switch/plug when turning on.
3. Do not touch hot lens, guard or enclosure.
4. Keep lamp away from material that may burn.
5. Do not touch the lamp at any time. Use a soft cloth. Oil from the skin may damage lamp.
6. Do not operate luminaire fitting with a missing or damaged cover

SAVE THESE INSTRUCTIONS

CAUTION: Do not exceed maximum wattage marked on luminaire label.

1. To prevent electrical shock, disconnect from electrical supply before service.
 2. Loosen captive shroud screw.
 3. Remove shroud and gasketed lens to expose lamp.
 4. Replace lamp with correct wattage and type marked on fixture label.
- NOTE: DO NOT touch lamp with bare hands. Always use soft cloth or the plastic wrapping (if available) to handle the lamp.
5. Re-install shroud and gasketed lens and tighten captive shroud screws.

LAMP INFORMATION		
MODEL #	LAMP TYPE	WATTAGE
1096	T6 - G12 Base T4 - G8.5 Base T4 - GU6.5 Base	70W, 39W 70W, 39W 20W



Vista Professional Outdoor Lighting reserves the right to modify the design and/or construction of the fixture shown without further notification.